

BIRCHEN PENDANT MEDIUM SPEC SHEET

BIR-P-M



IP20
NON-WATER
PROOF



CE 10 W

The Birchen Pendant Series is a suspended projector that is ideal for venues that provide entertainment and hospitality. It has a simple, cylindrical, yet functional design that boasts style and elegance. Choose the appropriate color temperature for the application, then the beam type, louver, and specify the colors that compliment the theme. The Birchen Pendant is also available in 3 sizes and power capacity, depending on the amount of light and aesthetics required.

SPECIFICATION

OPERATING VOLTAGE	100 - 305 VAC
OPERATING TEMPERATURE	-20°C to + 50°C
CRI	80
CONTROL	Switched
INPUT CURRENT @115 VAC, 60Hz	191 mA
INPUT CURRENT @230 VAC, 50Hz	108 mA
NO OF LED	1
LIGHT SOURCE	Cree COB
CCT	2200K, 2700K, 3000K, 4000K
BEAM ANGLE	14°, 21°, 30°, 40°, 50°
FIXTURE CONNECTION	Junction Box
AVAILABLE IP RATING	IP20

OPTICAL DATA (3000K)

Beam Angle	3000K
14° Ultra Narrow	693 lm
21° Narrow	742 lm
30° Medium	720 lm
40° Wide	690 lm
50° Ultra Wide	618 lm

DELIVERED LUMENS BY CCT (Narrow beam 21°)

White	21 Degree
2200K	607 lm
2700K	710 lm
3000K	742 lm
4000K	781 lm

CUSTOM CABLE LENGTH

Adjustable Cable

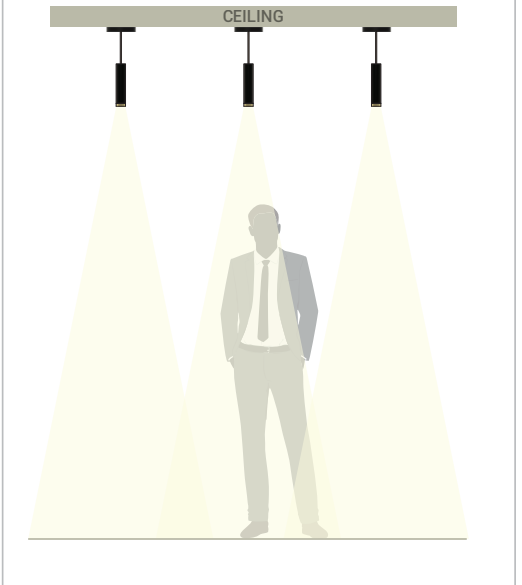


Cree COB
LED Source

100 - 305 VAC
Operating Voltage

10W
Rated power

Application



ANTI-GLARE OPTION

Honeycomb Louver
(Optional)



BIRCHEN PENDANT MEDIUM SPEC SHEET



BIR-P-M

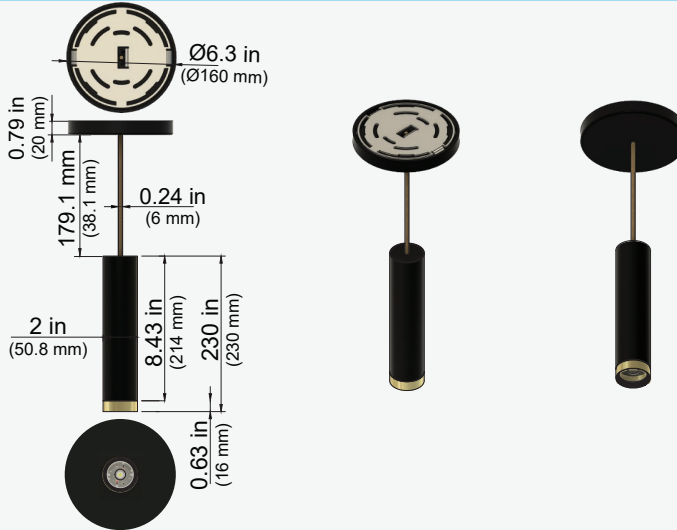
ORDERING CODE

PRODUCT SERIES	TYPE	SIZE	POWER	COLOR TEMPERATURE	BEAM ANGLE	CONTROL	MOUNTING	VOLTAGE	ACCESSORIES
BIR - Birchen	P - Pendant	M - Medium	10W - 10 Watts	CT22 - 2200K	14D - 14 Degree	SW - Switched	CW - Clear Wire BW - Black Wire	AC - 100-305 VAC	N - None H - Honeycomb Louver
				CT27 - 2700K	21D - 21 Degree				
				CT30 - 3000K	30D - 30 Degree				
				CT40 - 4000K	40D - 40 Degree				
					50D - 50 Degree				

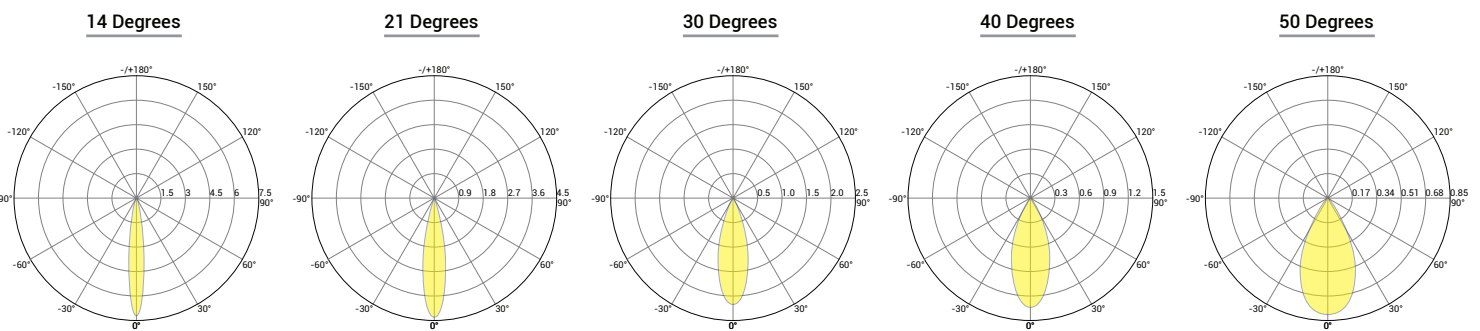
WIRING LENGTH	FIXTURE FINISHING	
W24 - 24" Standard <small>24 inches (609 mm)</small>	BODY FINISH	TRIM FINISH
WXX - Custom	BWH - White	TWH - White
	BBL - Black	TBL - Black
	BSL - Silver	TSL - Silver
	BXX - Custom	TGD - Gold
		TXX - Custom

Sample: BIR-P-M-10W-CT22-13D-SW-CW-AC-N-W24-BWH-TGD

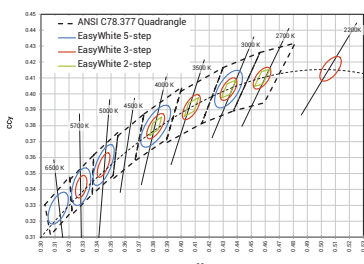
DIMENSIONS



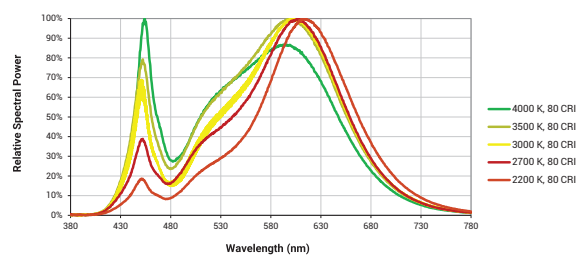
PHOTOMETRIC DATA



BIN Details (CIE 1931)



Spectral Distribution



RELATED PRODUCTS

Wall Mount (Double)



Telescopic Mount

