

LED FLOOD LIGHT SQUARE SPEC SHEET



LFL-Q-132S RGBW



The LFL-Q-132S RGBW offers a versatile lighting solution with its 5.19" x 5.19" (132 mm x 132 mm) modular lens, providing a range of available angles for various applications. Its minimalist exterior design ensures ease of construction and installation. With exceptional flexibility and scalability, the LFL-Q is well-suited for a wide array of environments while maintaining reliable performance.



SPECIFICATION

	AC	DC
OPERATING VOLTAGE	120-220V AC	24V DC
RATED POWER	24W	
LEAKAGE CURRENT	Max 0.7mA	
DOWN-LEAD SPEC	3*1mm ² Ø7.2mm + 4*0.3mm ² (L=350mm)	
CONTROL	DMX512	
CHANNELS	4 channels	
CONTROL CHIP	UCS512G4	
ADDRESSING	1 pixel address / 4 channels	
LIGHT SOURCE	BRIGHTTEK	
NO OF LED	8 (4 in 1)	
COLOR	RGBW	
BEAM ANGLE	15°, 30°, 45°, 60°, 15X60°	
LUMEN RANGE	35 to 40 lm/W	
SDCM	≤5	
CRI	≥70	
MATERIAL	ADC12 Aluminum	
COLOR FINISH	Black, grey, white	
ROTATION ANGLE	180°	
DIMENSIONS	5.19" x 3.5" x 7.56" (132 mm x 89 mm x 192 mm)	5.19" x 2.91" x 7.56" (132 mm x 74 mm x 192 mm)
NET WEIGHT	1.5 kg	1.4 kg
LENS	PC	
OPERATING TEMPERATURE	-30°C to +50°C	
STORAGE TEMPERATURE	-40°C to +80°C	
AVAILABLE IP RATING	IP66	
IMPACT RATING	IK07	

V 120-220V AC / 24V DC
Operating Voltage

W 24W
Rated power

ORDERING CODE

PRODUCT SERIES	TYPE	SIZE	POWER	COLOR TEMPERATURE	BEAM ANGLE	FIXTURE FINISHING	VOLTAGE	ACCESSORIES
LFL - LED Flood Light	Q - Square	132S	24W - 24 Watts	RGBW - RGBW	15D - 15° 30D - 30° 45D - 45° 60D - 60° 15x60D - 15x60°	BK - Black GY - Grey WH - White XX - Custom*	AC - 120-220V AC DC - 24V DC	N - None H - Hood

Sample: LFL-Q-132S-24W-RGBW-15D-BK-AC-H

** represent special order, please contact factory for detail.

Expansion Setup

LFL-Q-132S-1X2



LFL-Q-132S-1X2-Hood



LFL-Q-132S-1X3



LFL-Q-132S-1X3-Hood



LED FLOOD LIGHT SQUARE SPEC SHEET

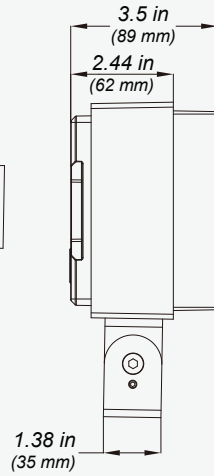
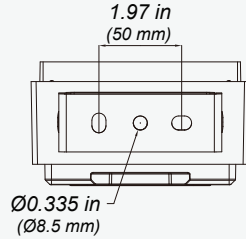
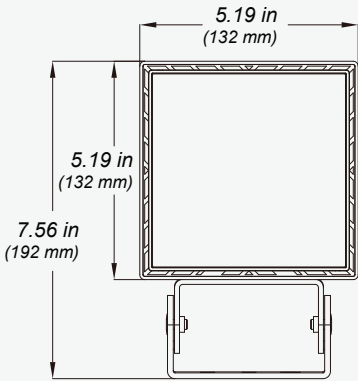
LFL-Q-132S RGBW



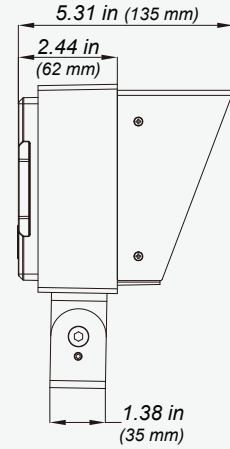
DIMENSIONS

LFL-Q-132S-AC

Net Weight: 1.5 kg

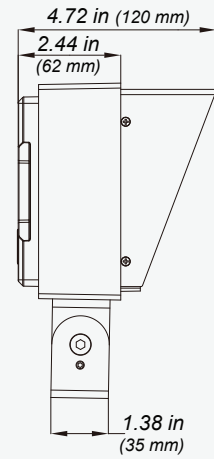
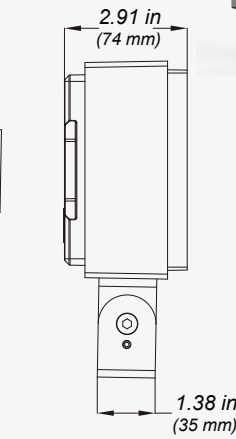
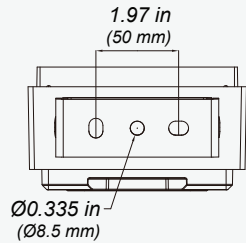
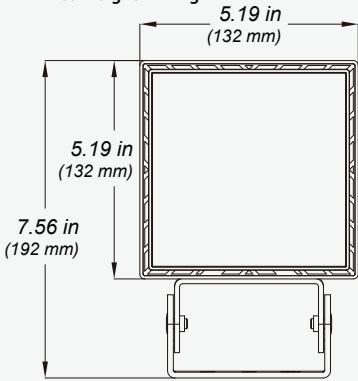


Visor (Optional)



LFL-Q-132S-DC

Net Weight: 1.4 kg



PHOTOMETRIC DATA

15 Degrees

30Degrees

45 Degrees

60 Degrees

15x60 Degrees

