

LINEAR RECESSED OUTDOOR SPEC SHEET



LRO-98



YYZ LRO series is the linear recessed fixture build in constant current drive and 485 control module inside rendering it a reliable solution for interactive function between person and light. This IP67 rated fixture has carefully designed embedded parts and is easy to install. It has waterproof design and matching degassing valve make it suitable for application in areas like public square, park, stage, garden etc.

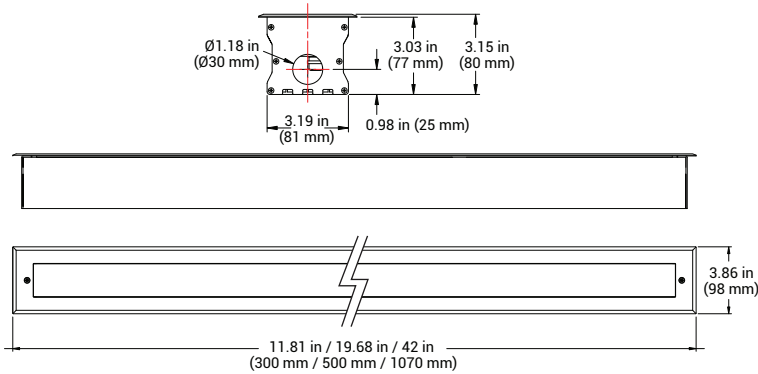


SPECIFICATION

	Mono	RGB/RGBW
OPERATING VOLTAGE	24V DC	
POWER	18W, 24W, 36W	
DOWN-LEAD SPEC	On-Off 2C*1mm ²	RGB & RGBW 4C*0.3mm ²
CONTROL	Switch	DMX512
LED SOURCE	OSRAM	BRIGHTEX
LED QUANTITIES	18pcs, 24pcs, 36pcs	
COLOR	2700K,3000K,4000K,5000K,5700K,	RGB, RGBW
LUMENS	72~75lm/W (Mono)	25~30lm/W (RGB) 20~25lm/W (RGBW)
BEAM	15°, 30°, 45°, 60°, 15°x45°	
BODY	6063 aluminium	
COVER	Tempered glass	
COLOR FINISH	RAL9011	
DIMENSIONS	1070mm (L), 98 mm(W), 80mm (H)	
OPERATION TEMP	-25°C to +55°C	
STORAGE TEMP	-40°C to +80°C	
IP RATING	IP67	
IK RATING	IK08	

- OSRAM / BRIGHTEX**
LED Quality
- 24V DC**
Working Voltage
- 18W/24W/36W**
Rated power

DIMENSIONS



ORDERING CODE

PRODUCT	POWER	BEAM ANGLE	COLOR	VOLTAGE	CONTROL	BODY FINISH	ACCESSORY
LRO98	18 - 18 Watts	15 - 15°	CT27 - 2700K	DC - 24V DC	SW - Switch (Mono)	BK - Black	N - None
	24 - 24 Watts	30 - 30°	CT30 - 3000K		DMX - DMX (RGB/RGBW)	XX - Custom*	H - Honeycomb
	36 - 36 Watts	45 - 45°	CT40 - 4000K				
		60 - 60°	CT50 - 5000K				
		15x45 - 15°x45°	CT57 - 5700K				
			RGB - RGB				
			RGBW - RGBW				

Sample: LRO50-18-15-CT27-DC-SW-BK-N

*" represent special order, please contact factory for detail.