

LFA - ASYMMETRICAL SPEC SHEET



LFA-O-5



Our LFA series linear LED light fixtures are a simple, yet elegant solution for asymmetrical surface washing applications where a diffused single color light is desired along a floor, wall or ceiling. LFA series in particular uses an asymmetric lens to create a focus beam on one side. This allows the product to be installed along edge of a surface for a throw beyond the illuminated plane.



FEATURES

| | |
|-----------------------|-------------------------------|
| OPERATING VOLTAGE | 24V DC |
| OPERATING TEMPERATURE | -20°C to 60°C |
| LED QUANTITY | COB |
| BEAM ANGLE | Asymmetrical |
| FIXTURE CONNECTION | IP Rated Connector |
| AVAILABLE IP RATING | IP66 |
| MAXIMUM DAISY CHAIN | 10 ft / 3 m |
| CRI | 95 |
| LED | High Density LED Light Engine |

- COB LED
- 24V DC Operating Voltage
- 5W/ft Rated Power

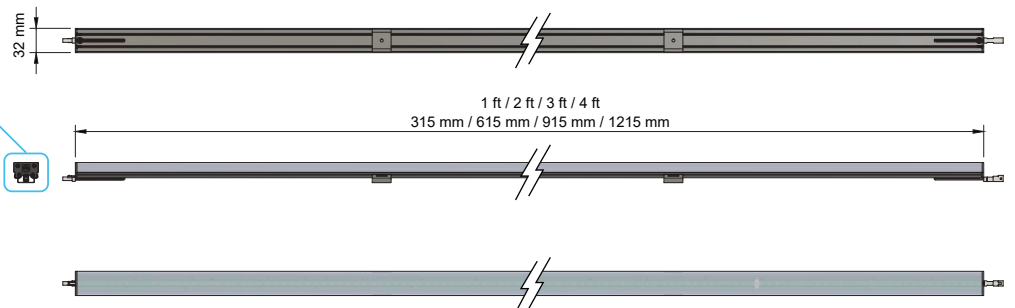
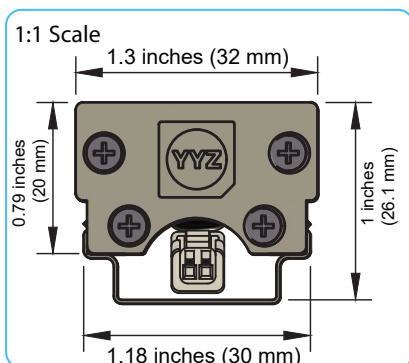
ELECTRICAL DATA

| | |
|--------------------|-------------------------|
| FLUX (3000K) | 240 lm/ft (787 lm/m) |
| RATED POWER | 5.0 W/ft (16 W/m) |
| MAX BENDING RADIUS | Rmin = 0.787 in (20 mm) |

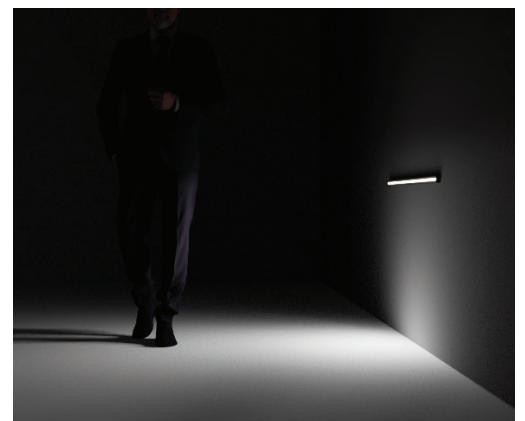
COLOR TEMPERATURE DATA

| White | Efficacy lm/W | 5W/ft Lumens/ft | 16W/m Lumens/m |
|-------|---------------|--------------------|-------------------|
| 2200K | 63 | 213 lm | 700 lm |
| 2500K | 64 | 216 lm | 710 lm |
| 2700K | 65 | 219 lm | 719 lm |
| 3000K | 71 | 240 lm | 787 lm |
| 3500K | 72 | 243 lm | 797 lm |
| 4000K | 73 | 247 lm | 809 lm |
| 5000K | 73 | 247 lm | 809 lm |

DIMENSIONS



Applications



LFA - ASYMMETRICAL SPEC SHEET

LFA-O-5

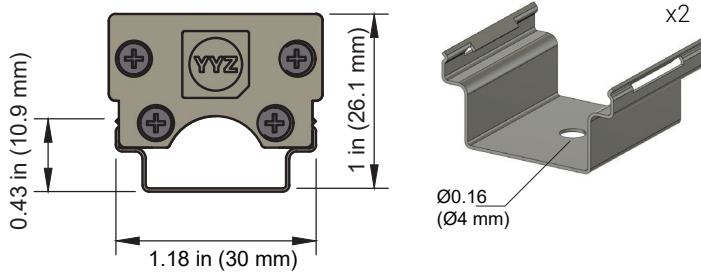
ORDERING CODE

| PRODUCT SERIES | TYPE | POWER | COLOR TEMPERATURE | | LENGTH | BEAM ANGLE | MOUNTING | CONNECTOR | ACCESSORIES |
|----------------|-------------|--------------|-------------------|-------|------------------------|-------------------|---|-------------------|------------------------|
| LFA | O - OUTDOOR | 5W - 5 WATTS | CT22 | 2200K | 12 - 12 inch / 315 mm | AS - ASYMMETRICAL | MC - MOUNTING CLIP SB - SWIVEL BRACKET | IP - IP CONNECTOR | N - NONE L - LOUVER |
| | | | CT27 | 2700K | 24 - 24 inch / 615 mm | | | | |
| | | | CT30 | 3000K | 36 - 36 inch / 915 mm | | | | |
| | | | CT35 | 3500K | 48 - 48 inch / 1215 mm | | | | |
| | | | CT40 | 4000K | | | | | |
| | | | CT50 | 5000K | | | | | |

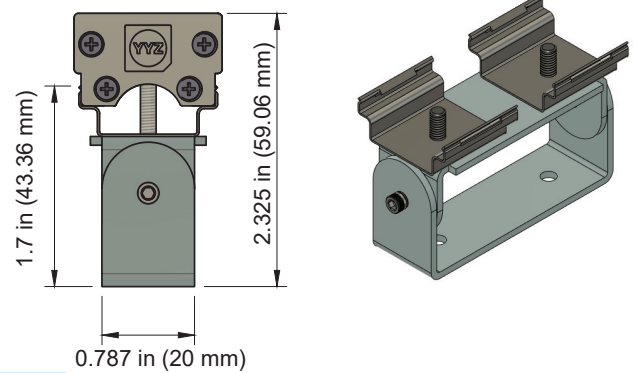
Sample: LFA-O-5W-CT30-12-AS-MC-IP-N

MOUNTING OPTIONS

Mounting Clip

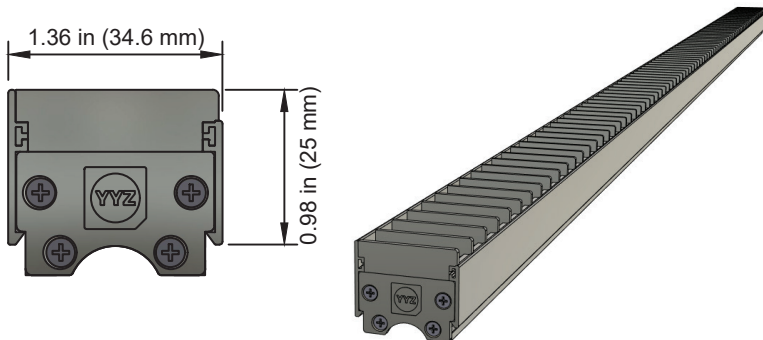


Swivel Bracket



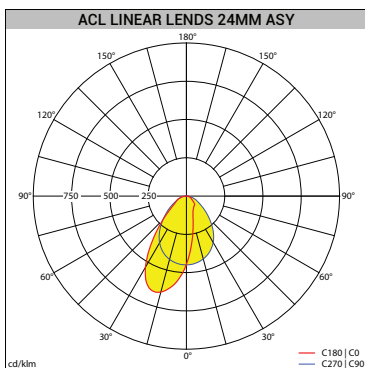
OPTIONAL ACCESSORIES

Louver

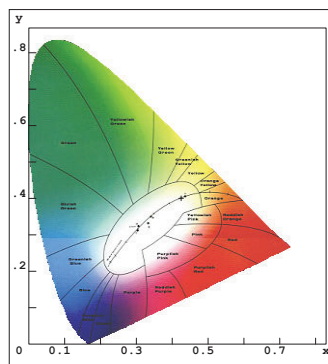


DIAGRAM

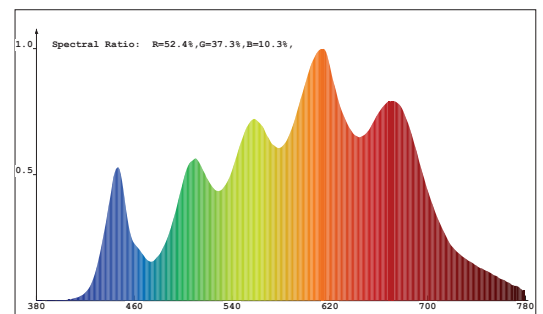
Polar Curve



CEIE 1931 Chromaticity Diagram



Spectral Radiant Flux VS Wavelength



LFA - ASYMMETRICAL SPEC SHEET

LFA-O-5

LOUVER DETAIL

