

SPORTS FLOOD LIGHT MODULAR



SFL-MOD



When the speed, direction, and spin on the ball are important, the Contender LED Sports Flood Light meets and exceeds expectations. This sports lighter packs an efficient punch of up to 150 lumens per Watt, and is available in multiple beam angles, and color temperatures for application flexibility. The luminaire is waterproof (IP66 rated), dustproof, and equipped with a finned heatsink for superior thermal venting. A laser aiming device is available for precise aiming. With the broad optic and power range available, you can cover the play areas, ensuring that spectators get all the action.

SPECIFICATION

OPERATING VOLTAGE	100-277 VAC (UNV); 277-480 VAC (HV)
OPERATING TEMPERATURE	-30°C to 45°C / -22°F to 113°F
CRI	RA>70 (Standard); RA>80 (Optional)
STANDARD SURGE PROTECTION	10 KVA
LED TYPE	Meanwell (UNV) / Integral Inventronics (HV)
LIGHT SOURCE	Phillips
LED LIFE	L70: 50,000 hrs
CONTROL	0-10V Dimming
POWER FACTOR	>0.95
EFFICIENCY	170 lm/W for 30° / 60° / 90°; 155 lm/W for Assymetric G4
CCT	3000K / 4000K / 5000K
PROJECTION	30° / 60° / 90° / Assymetric G4
AVAILABLE IP RATING	IP66
MOUNTING	Yoke, Slip Fitter



Phillips
Light Source

100-277 VAC (UNV), 277-480 VAC (HV)
Operating Voltage

300W, 400W, 500W, 600W, 750W, 1000W, 1200W
Rated Power

Yoke, Slip Fitter
Mounting

CERTIFICATIONS AND WARRANTY

ETL and DLC Premium listed with a 6 year warranty.

MODULAR DESIGNS

Single



Double



Triple



Quadruple



SPORTS FLOOD LIGHT - SINGLE MODULAR



SFL-MOD



PRODUCT INFORMATION

300W

LIGHT SOURCE	Philips Lumileds 5050
LED DRIVER	Meanwell (UNV) / Integral Inventronics (HV)
MOUNTING	Yoke, Slip Fitter
ENCLOSURE	Die-cast aluminum
FINISH	Black Powder Coat
RATED POWER	300W
FIXTURE LUMEN OUTPUT	51,000 lm (46,500 lm for G4)
SYSTEM EFFICIENCY	170 lm/W (155 lm/W for G4)



SFL-MOD1

V 100-277 V (UNV), 227-480 V (HV)
Operating Voltage

W 300W
Rated Power

M Yoke, Slip Fitter
Mounting

PACKAGING

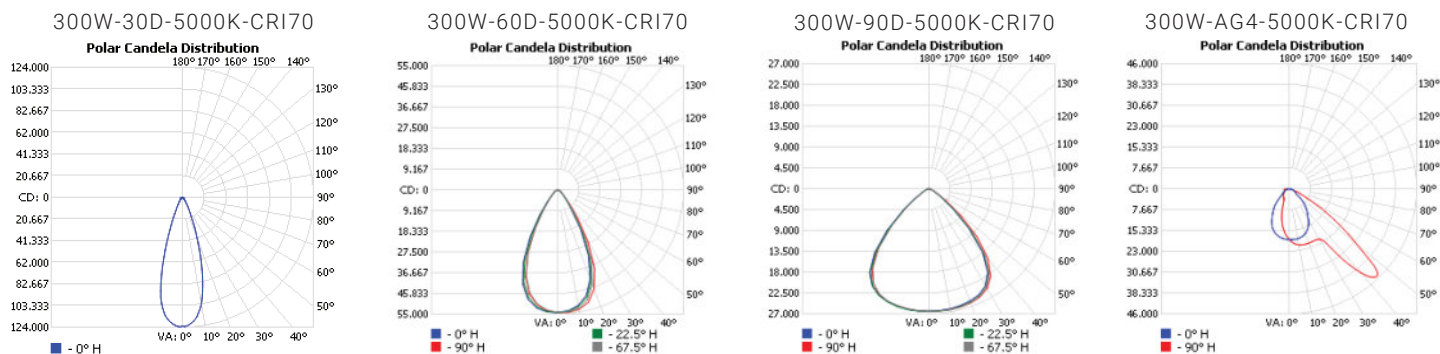
NEW WEIGHT	13.67 lbs (6.2 kg)
GROSS CARTON WEIGHT	61.73 lbs (28 kg)
MASTER CARTON DIMENSIONS	24.02 x 16.14 x 20.08 in / 610 x 410 x 510 mm
QUANTITY PER CARTON	4

ORDERING CODE

PRODUCT SERIES	TYPE	VOLTAGE	CRI	POWER	COLOR TEMPERATURE	CONTROL	PROJECTION	FINISH	MOUNTING	ACCESSORIES
SFL	MOD1 - Modular 1	UNV - 120-277V HV - 277-480V	70 80+	300W - 300 WATTS	CT30 - 3000K CT40 - 4000K CT50 - 5000K	DIM - 0-10V	30D - 30 Degrees 60D - 60 Degrees 90D - 90 Degrees AG4 - Assymetrical G4 Type	BK - Black GR - Grey	YK - Yoke Mount (Standard) SF - Slip Fitter	LAD - Laser Aiming Device VS - Visor 20SPD - 20KV Surge Protection Device

Sample: SFL-MOD1-UNV-70- 300W-CT30-DIM-30D-BK-YK-VS

PHOTOMETRIC DATA



SPORTS FLOOD LIGHT - DOUBLE MODULAR



SFL-MOD



PRODUCT INFORMATION

600W

LIGHT SOURCE	Philips Lumileds 5050
LED DRIVER	Meanwell (UNV) / Integral Inventronics (HV)
MOUNTING	Yoke, Slip Fitter
ENCLOSURE	Die-cast aluminum
FINISH	Black Powder Coat
RATED POWER	600W
FIXTURE LUMEN OUTPUT	102,000 lm (93,000 lm for G4)
SYSTEM EFFICIENCY	170 lm/W (155 lm/W for G4)



SFL-MOD2

V 100-277 V (UNV), 227-480 V (HV)
Operating Voltage

W 600W
Rated Power

Y Yoke, Slip Fitter
Mounting

PACKAGING

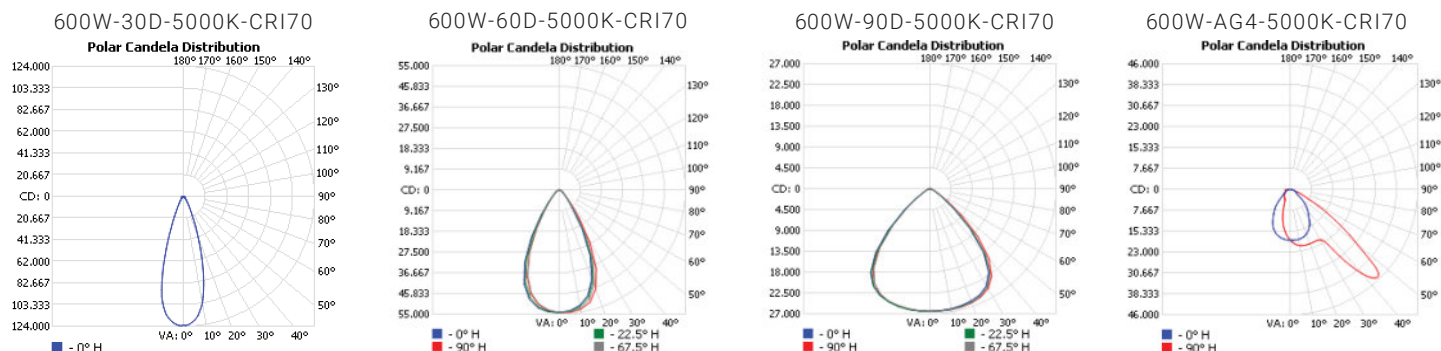
NEW WEIGHT	30.42 lbs (13.8 kg)
GROSS CARTON WEIGHT	68.12 lbs (30.9 kg)
MASTER CARTON DIMENSIONS	24.02 x 16.14 x 20.08 in / 610 x 410 x 510 mm
QUANTITY PER CARTON	2

ORDERING CODE

PRODUCT SERIES	TYPE	VOLTAGE	CRI	POWER	COLOR TEMPERATURE	CONTROL	PROJECTION	FINISH	MOUNTING	ACCESSORIES
SFL	MOD2 - Modular 2	UNV - 120-277V HV - 277-480V	70 80+	600W - 600 WATTS	CT30 - 3000K CT40 - 4000K CT50 - 5000K	DIM - 0-10V	30D - 30 Degrees 60D - 60 Degrees 90D - 90 Degrees AG4 - Assymetrical G4 Type	BK - Black GR - Grey	YK - Yoke Mount (Standard) SF - Slip Fitter	LAD - Laser Aiming Device VS - Visor 20SPD - 20KV Surge Protection Device

Sample: SFL-MOD2-UNV-70- 600W-CT30-DIM-30D-BK-YK-VS

PHOTOMETRIC DATA



SPORTS FLOOD LIGHT - TRIPLE MODULAR



SFL-MOD



PRODUCT INFORMATION

900W

LIGHT SOURCE	Philips Lumileds 5050
LED DRIVER	Meanwell (UNV) / Integral Inventronics (HV)
MOUNTING	Yoke, Slip Fitter
ENCLOSURE	Die-cast aluminum
FINISH	Black Powder Coat
RATED POWER	900W
FIXTURE LUMEN OUTPUT	153,000 lm (139,500 lm for G4)
SYSTEM EFFICIENCY	170 lm/W (155 lm/W for G4)



SFL-MOD3

V 100-277 V (UNV), 227-480 V (HV)
Operating Voltage

W 900W
Rated Power

M Yoke, Slip Fitter
Mounting

PACKAGING

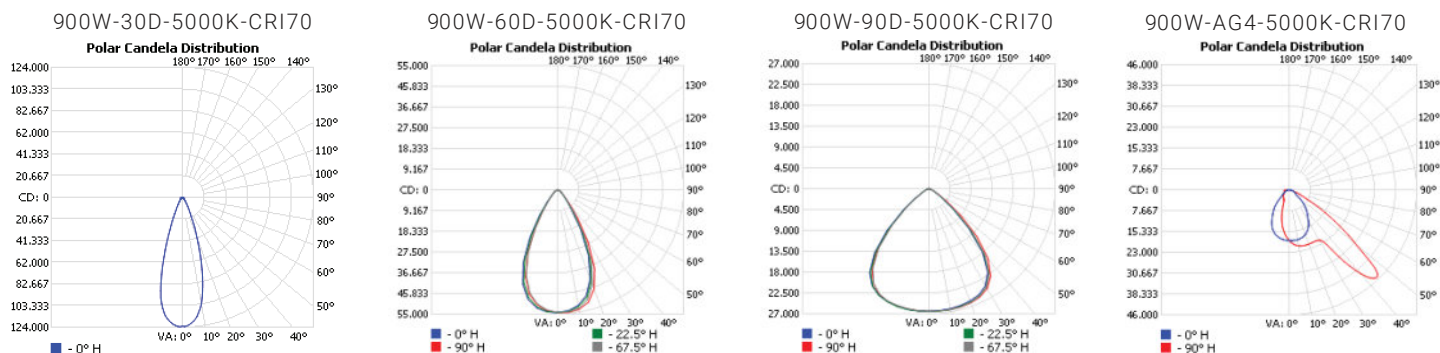
NEW WEIGHT	47.40 lbs (21.5 kg)
GROSS CARTON WEIGHT	54.90 lbs (24.9 kg)
MASTER CARTON DIMENSIONS	24.02 x 16.14 x 20.08 in / 610 x 410 x 510 mm
QUANTITY PER CARTON	1

ORDERING CODE

PRODUCT SERIES	TYPE	VOLTAGE	CRI	POWER	COLOR TEMPERATURE	CONTROL	PROJECTION	FINISH	MOUNTING	ACCESSORIES
SFL	MOD3 - Modular 3	UNV - 120-277V HV - 277-480V	70 80+	900W - 900 WATTS	CT30 - 3000K CT40 - 4000K CT50 - 5000K	DIM - 0-10V	30D - 30 Degrees 60D - 60 Degrees 90D - 90 Degrees AG4 - Assymetrical G4 Type	BK - Black GR - Grey	YK - Yoke Mount (Standard) SF - Slip Fitter	LAD - Laser Aiming Device VS - Visor 20SPD - 20KV Surge Protection Device

Sample: SFL-MOD3-UNV-70-900W-CT30-DIM-30D-BK-YK-VS

PHOTOMETRIC DATA



SPORTS FLOOD LIGHT - QUADRUPLE MODULAR



SFL-MOD



PRODUCT INFORMATION

1200W

LIGHT SOURCE	Philips Lumileds 5050
LED DRIVER	Meanwell (UNV) / Integral Inventronics (HV)
MOUNTING	Yoke, Slip Fitter
ENCLOSURE	Die-cast aluminum
FINISH	Black Powder Coat
RATED POWER	300W
FIXTURE LUMEN OUTPUT	204,000 lm (186,000 lm for G4)
SYSTEM EFFICIENCY	170 lm/W (155 lm/W for G4)



SFL-MOD4

V 100-277 V (UNV), 227-480 V (HV)
Operating Voltage

W 1200W
Rated Power

M Yoke, Slip Fitter
Mounting

PACKAGING

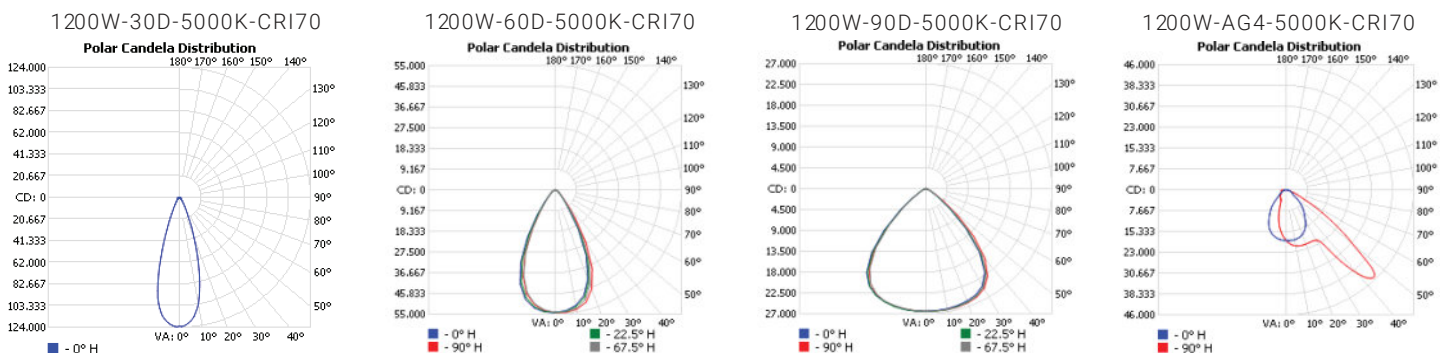
NEW WEIGHT	66.14 lbs (30 kg)
GROSS CARTON WEIGHT	74.96 lbs (34 kg)
MASTER CARTON DIMENSIONS	24.02 x 16.14 x 20.08 in / 610 x 410 x 510 mm
QUANTITY PER CARTON	1

ORDERING CODE

PRODUCT SERIES	TYPE	VOLTAGE	CRI	POWER	COLOR TEMPERATURE	CONTROL	PROJECTION	FINISH	MOUNTING	ACCESSORIES
SFL	MOD4 - Modular 4	UNV - 120-277V HV - 277-480V	70 80+	1200W- 1200 WATTS	CT30 - 3000K CT40 - 4000K CT50 - 5000K	DIM - 0-10V	30D - 30 Degrees 60D - 60 Degrees 90D - 90 Degrees AG4 - Assymetrical G4 Type	BK- Black GR- Grey	YK - Yoke Mount (Standard) SF - Slip Fitter	LAD - Laser Aiming Device VS - Visor 20SPD - 20KV Surge Protection Device

Sample: SFL-MOD4-UNV-70- 1200W-CT30-DIM-30D-BK-YK-VS

PHOTOMETRIC DATA

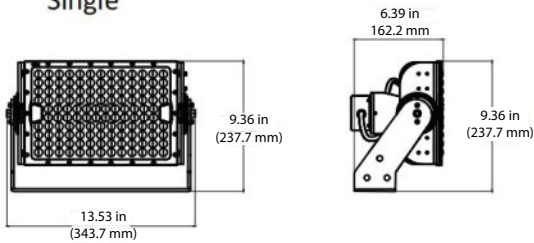


SPORTS FLOOD LIGHT MODULAR

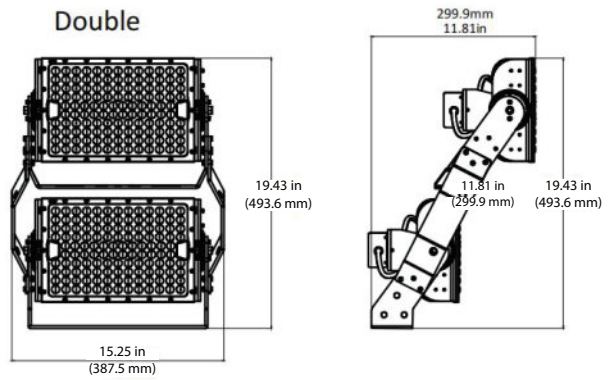
SFL-MOD

DIMENSIONS

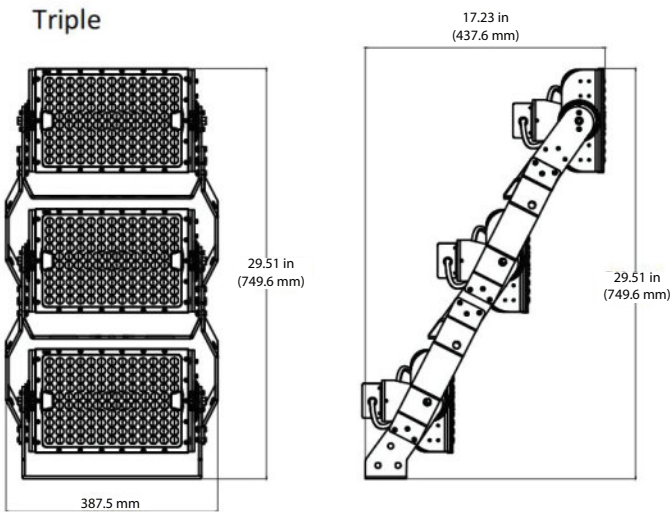
Single



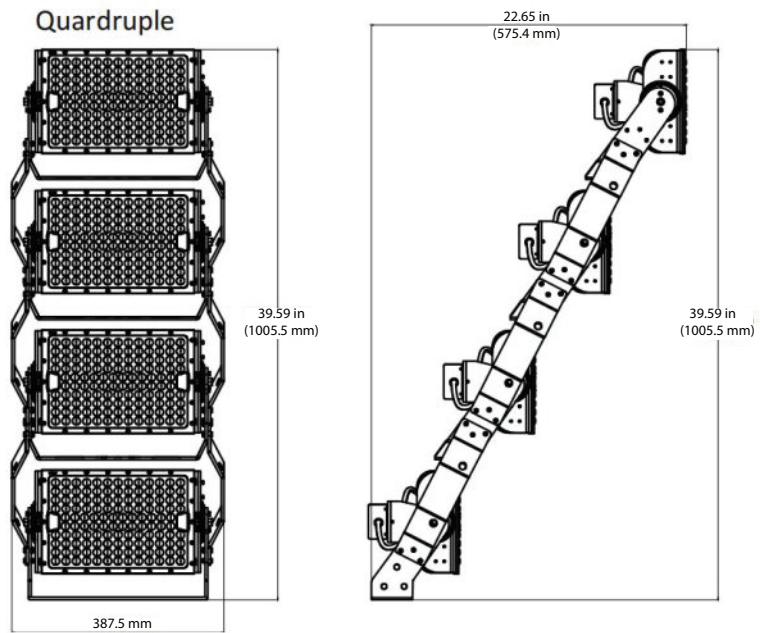
Double



Triple



Quardruple



ACCESSORIES

Visor



Side Bracket



Laser Aiming Diode

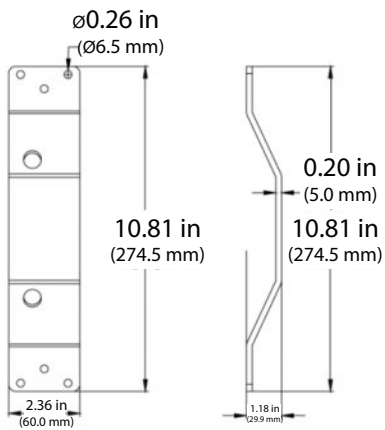


Slip Fitter



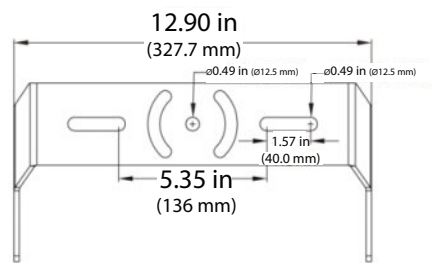
ACCESSORIES DIMENSIONS

Side bracket for 600-1200W



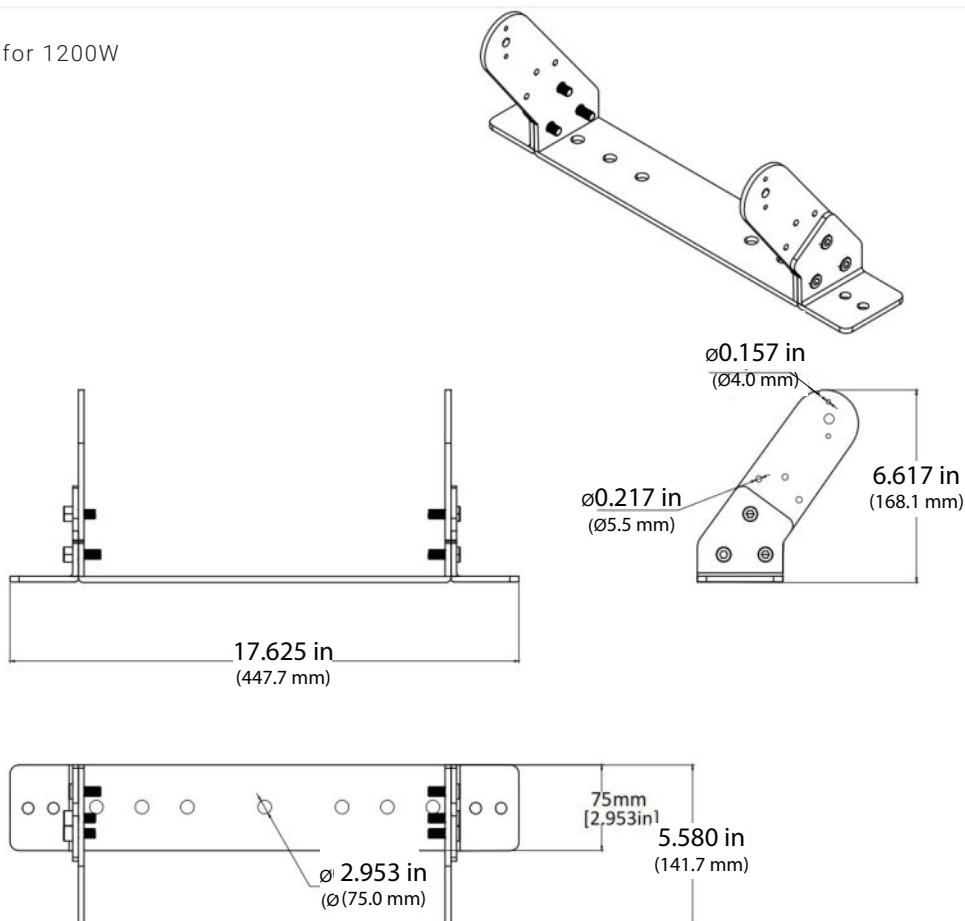
(Unit:in/mm)

YOKE bracket for 300-900W



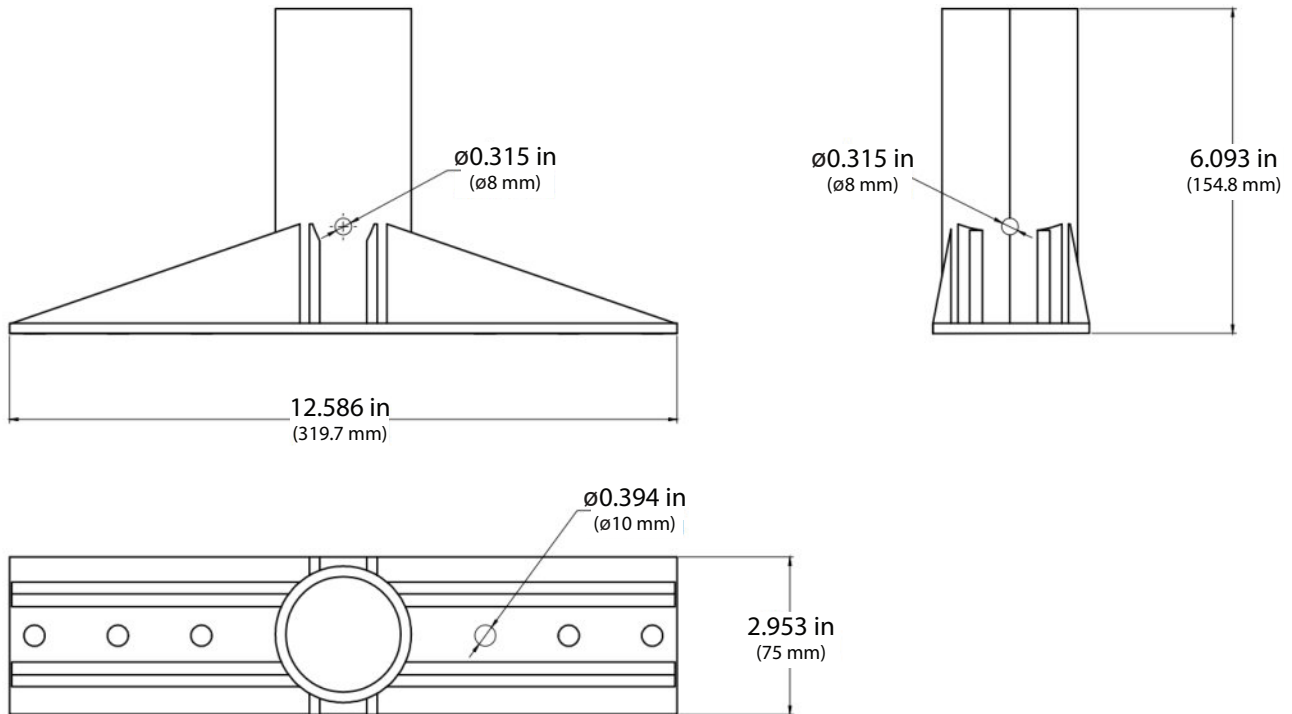
(Unit:in/mm)

YOKE bracket for 1200W

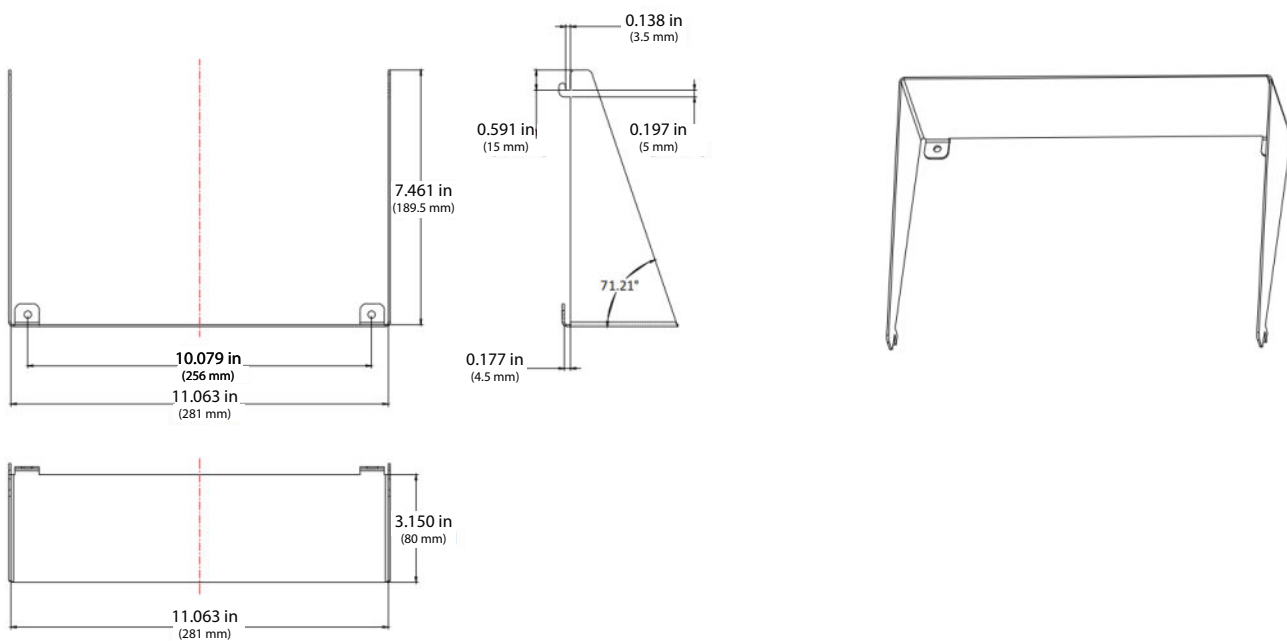


ACCESSORIES DIMENSIONS

Slip Fitter for 300-1200W



Visor for 300-1200W



SPORTS FLOOD LIGHT MODULAR

SFL-MOD

EPA

EPA = (Frontal Projected Area) x (Drag Coefficient)



Single



Double



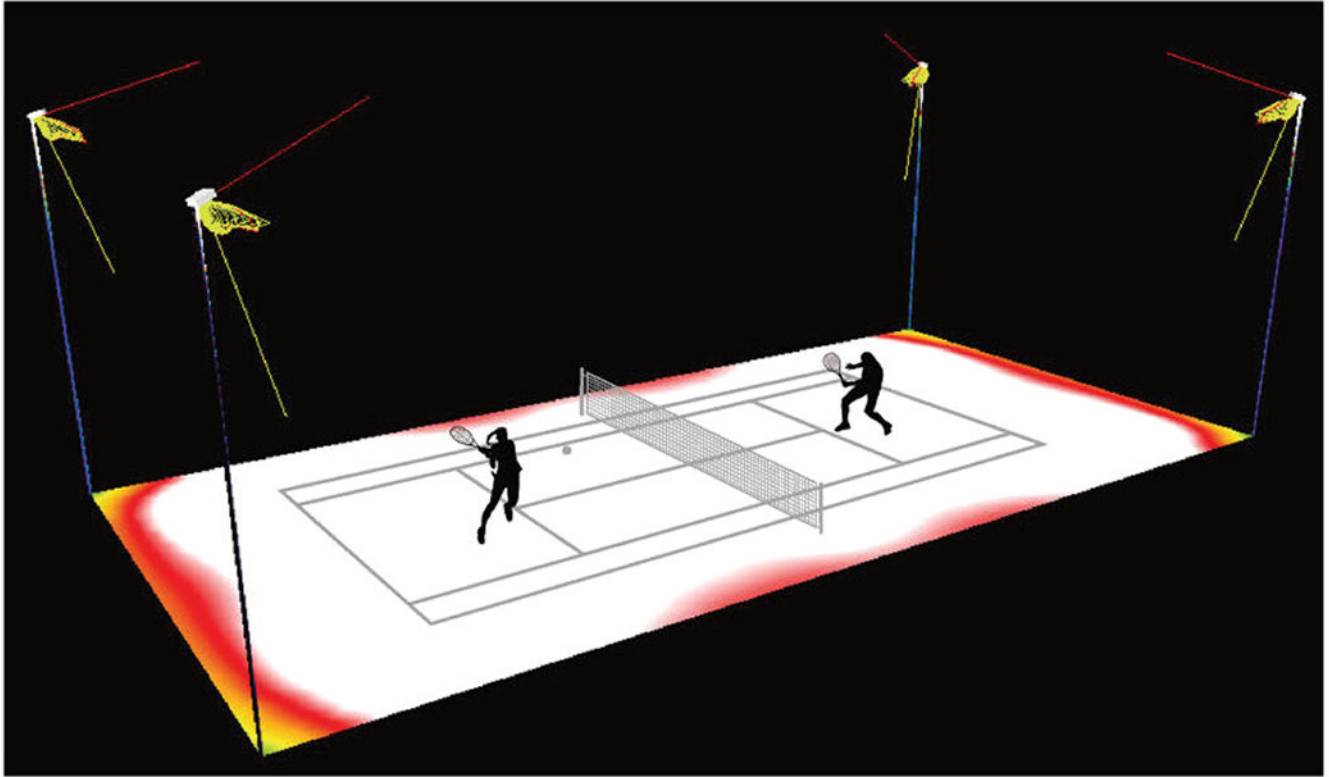
Triple



Quadruple

Power(W)	EPA(ft ²)		
	Top	Side	Front
300W	0.5	0.36	0.8
600W	1	0.73	1.67
900W	1.5	1.11	2.53
1200W	2	1.49	3.4

BEAM ANGLE PROJECTION



* Standard tennis court, only 4pcs flood light uniformity $U_0 > 0.85$.

30°



60°



90°



Asymmetric-G4 Type

