

RAIL 2.5 ASYMMETRICAL

RA 2.5-AS



YYZ LED 2.5 asymmetrical handrail serve the purpose of lighting up the staircase treads as well as give an aesthetic effect to the surroundings. It is made in stainless steel and aluminum which can be installed on an existing handrail system as well as indoor or outdoor. These are waterproof IP67 rated fixture which is available in different colors ranging from 2700-6000K.



SPECIFICATION

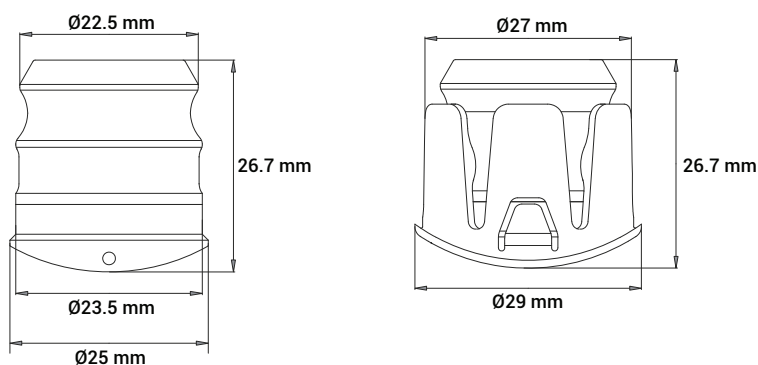
| | |
|------------------------------|-----------------------------------|
| OPERATING VOLTAGE | 24 VDC |
| OPERATING TEMPERATURE | -20°C to + 50°C |
| RATED POWER | 1.5W |
| CRI | 80+ |
| LAMP LIFE | 50,000 hrs |
| CONTROL | Switched, 0-10 V Dimming |
| EFFICIENCY | 73.3 lm/W |
| FINISH | Stainless steel |
| DIMENSIONS | Ø22.5 x 26.7 mm |
| CCT | 2500K, 2700K, 3000K, 4000K, 6000K |
| BEAM ANGLE | 70° Asymmetrical |
| CONNECTION | Outdoor rated connections |
| AVAILABLE IP RATING | IP67 |
| MOUNTING | Handrail |

PHILIPS / CREE
LED Quality

24 VDC
Working Voltage

1.5W
Rated power

DRAWING



ORDERING CODE

| PRODUCT | WATTAGE | COLOR TEMPERATURE | CONTROL | OPTIC | FINISH | CUSTOM |
|-----------|------------|--|------------------------------|------------------------|-------------------------------------|----------|
| RA 2.5-AS | 1.5 - 1.5W | CT25 - 2500K CT27 - 2700K CT30 - 3000K CT40 - 4000K CT60 - 6000K | SW - Switched DIM - 0-10V | 70A - 70° Asymmetrical | SS - Stainless Steel XX - Custom | SS - XXX |

Sample: RA2.5-AS-1.5-CT25-DIM-70A-SS-XX

INSTALLATION

