

OUTDOOR LFX SOB SPEC SHEET

LFX SOB-O-5-CT27-2835-Z3-240-24-CV-10-H-1-HT-RMTLWL5

Mono **3M TAPE** **IP67** **CE** **5W, 9.6W, 10W/mtr**

The YYZ LFX SOB series (SMD on Board) represents the latest weather-rated version of flexible linear LED light strips. This innovative product offers a straightforward and efficient solution suitable for a wide array of lighting applications. It delivers a crisp, soft, and smooth line of strip lighting in a single-color format, ensuring superior lighting consistency. Notably, it eliminates any visible LED light dots, surpassing the performance of existing SMD linear LED strip lights. The newest generation SOB Strip features a continuous long PCB board devoid of solder joints, resulting in an elegant and immaculate appearance. Its design makes it particularly well-suited for indirect accent lighting, external steps, under bench illumination, kitchen and bathrooms linear lighting, and various other tasks and specialty applications.



FEATURES

LIGHT SOURCE	2835 LED
LED QUANTITY	240
FINISH	White PCB
WORKING VOLTAGE	24 Volts
RATED POWER	5W, 9.6W, 10W / mtr
RADIANCE ANGLE	130°
LAMP LIFE	50,000 hrs
MOUNTING	3M Tape on the back
CONNECTION	Hardwired tails
CUTTING INCREMENTS	Every 66.67mm
DIMENSIONS	10 x 5000mm(PCB)
MAX DAISY RUN	20mtr
CONTROL	On/Off, 1-10V, Dali

PHILIPS/LUMILEDS
LED Quality

24VOLTS
Working Voltage

5W, 9.6W, 10W / mtr
Rated power

3M Tape on the back
Mounting

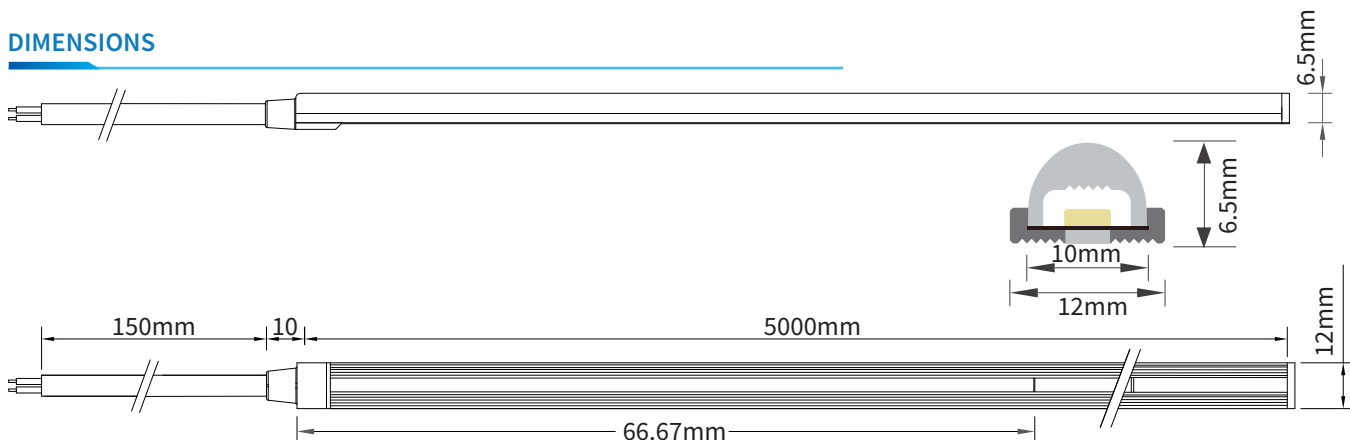
ELECTRICAL DATA

SUPPLY VOLTAGE	24 Volts
COLORS	2700K, 3000K, 3500K, 4000K, 5000K, 6500K
CRI	90
LUMEN	105lm/W @(5W), 110lm/W @(9.6W), 108lm/W @(10W)

LUMEN CHART

CCT	5W	9.6W	10W
2700K	525lm/m	1055lm/m	1080lm/m
3000K	525lm/m	1055lm/m	1080lm/m
4000K	550lm/m	1075lm/m	1100lm/m
6500K	560lm/m	1080lm/m	1105lm/m

DIMENSIONS



OUTDOOR LFX SOB SPEC SHEET

LFX SOB-O-5-CT27-2835-Z3-240-24-CV-10-H-1-HT-RMTLWL5

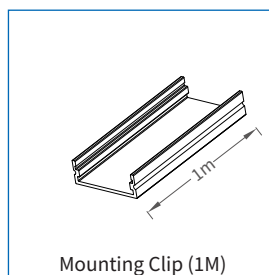
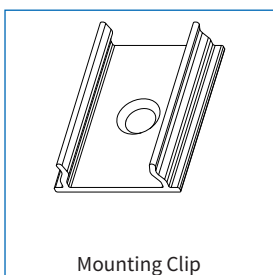
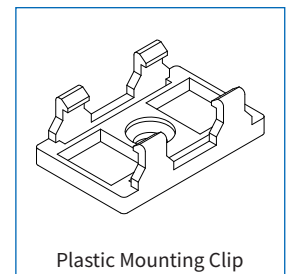
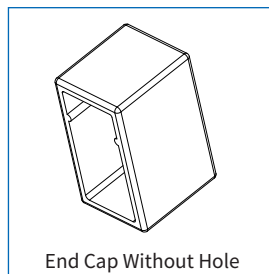
ORDERING LOGIC

PRODUCT SERIES	TYPE	POWER	COLOR TEMPERATURE	LED TYPE	BIN	NO. OF LED PER mtr	VOLTAGE	CIRCUIT	PCB	CRI	NO OF LED ROWS	CONNECTION
LFX SOB	O - OUTDOOR (IP67)	5 - 5W	(CT27) 2700K	2835	Z3	240 - 240	24 - 24V	CV-Constant voltage	10 - 10mm	H - HIGH (90)	1	HT - Hardwired Tail OC - Outdoor Connector
		9.6 - 9.6W	(CT30) 3000K									
		10 - 10W	(CT35) 3500K									
			(CT40) 4000K									
			(CT50) 5000K									
(CT65) 6500K												

MODEL	COLOR CONTROL	LIGHT EMITTING DIRECTION	LED POWER	PCB COLOR	LENGTH PER REEL
R - Regular	M - Mono	T - Top	L - Low	W - White	L5 - 5mtr

Sample: LFX SOB -O-5-CT27-2835-Z3-240-24-CV-10-H-1-HT-RMTLWL5

ACCESSORIES



SOFT LIGHT IMAGE



SOFT LIGHT

Soft light, dot free, linear light, extremely flexible,
high reliability.

GOOD BENDABILITY

High-end vapor phase silicone, good softness
and plasticity.



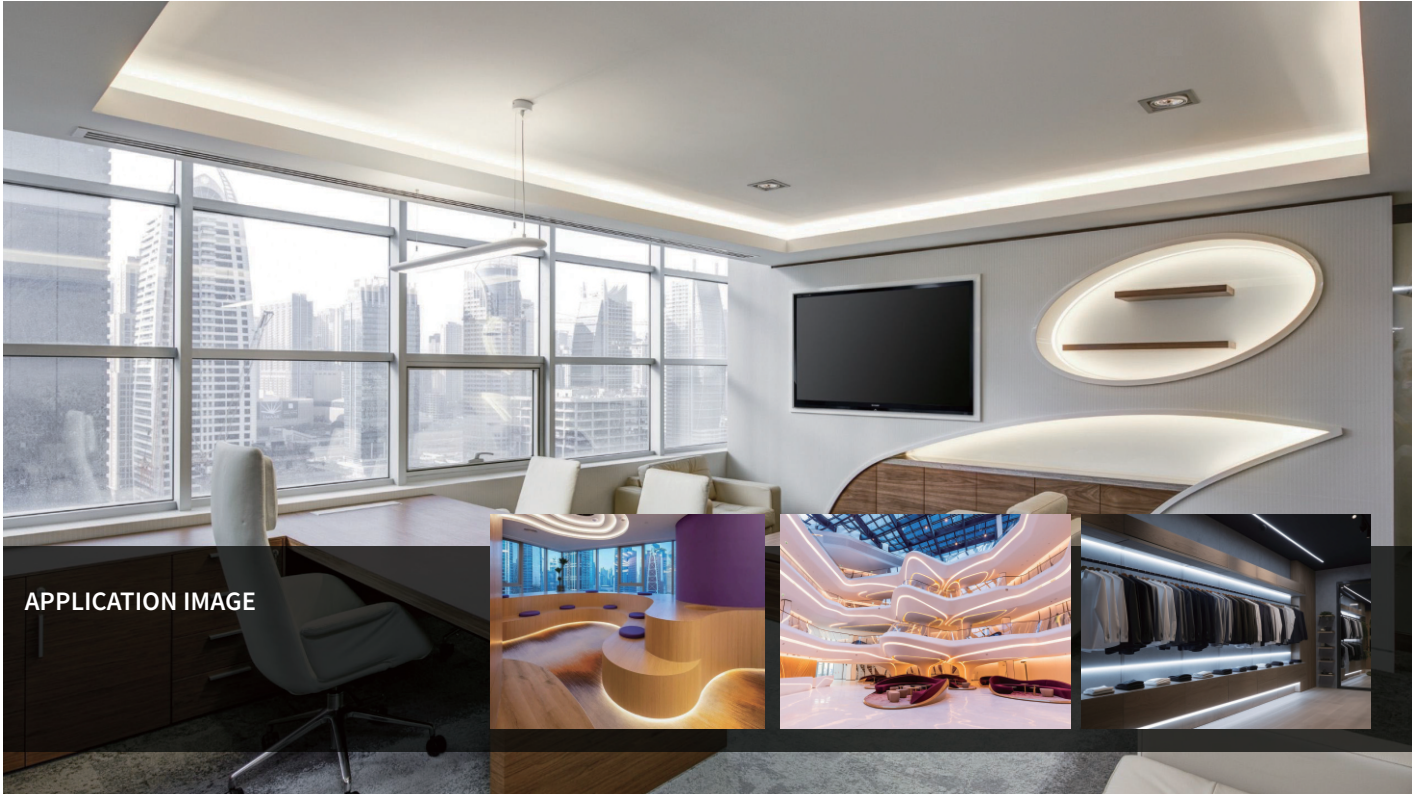
IP67 WATERPROOF

SMDstrip light with silicone extrusion process,
providing excellent sealing performance.

OUTDOOR LFX SOB SPEC SHEET

LFX SOB-O-5-CT27-2835-Z3-240-24-CV-10-H-1-HT-RMTLWL5

APPLICATION IMAGE



APPLICATION IMAGE