

TROFFER SERIES

TFR IP40 CE

YYZ troffer series features sheet steel body power coated in white with Optics made in Opal frosted lens diffuser achieving high-quality with low glare illumination of the space. Application areas include commercial spaces, educational premises etc.



FEATURES

FINISH	White powder coated (RAL9016)
LAMP LIFE	50,000 hours
MOUNTING	Lay-In, Clip-In, Gypsum and Metal Ceiling
CONNECTION	Indoor rated connections
BEAM ANGLE	120°
DIMENSION	595 x 595 x 120mm
OPERATION TEMP	-20°C ~ +50°C
LUMEN	6720lm
OPTIC	Perforated Curve with Opal Diffuser

ELECTRICAL DATA

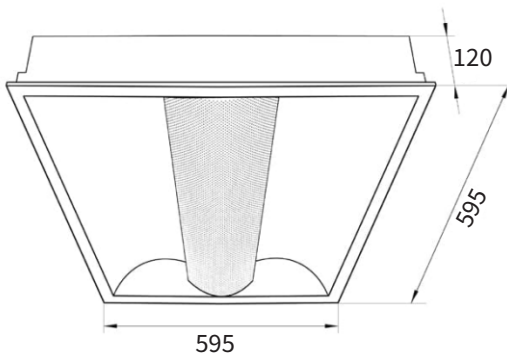
POWER CONSUMPTION	41.4W
CONTROL	On/Off, Dali
INPUT VOLTAGE AC	220-240V AC
CRI	80
COLORS	3000K/4000K/5000K/6500k

TRIDONIC/PHILIPS
LED Quality

220-240V AC, 50/60Hz
Working Voltage

41.4W
Rated power

DIMENSIONS



ORDERING LOGIC

PRODUCT	WATTAGE	COLOR TEMPERATURE	INPUT VOLTAGE	FINISH	CONTROL	CUSTOM
TFR	41.4 - 41.4W	(CT 30) 3000K (CT 40) 4000K (CT 50) 5000K (CT 65) 6500K	AC - 220-240V AC	WH - White	DA - Dali	XXX

Sample: TFR - 41.4 - CT30 - AC - WH - SW - XX