

# UNDER WATER SERIES

## UW-RM 80



YYZ UW series are refined underwater luminaires available in various size, wattage, multiple beam angles to suit varied project requirements. Constructed in 316L grade stainless steel body with high efficiency lens optic and hermetically sealed to IP68 through tempered glass diffuser. Application areas includes all under water, swimming pools etc.

### FEATURES

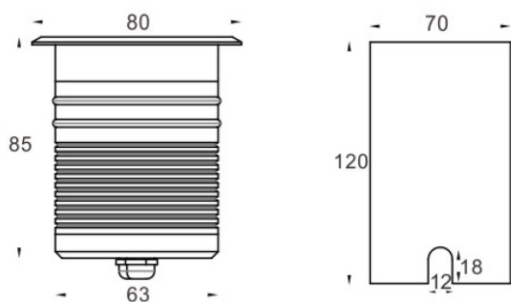
LEDs	1 LED
FINISH	Stainless steel 316L
WORKING VOLTAGE	12V DC, 24V DC, 36V DC, 48V DC
RATED POWER	5W, 7W
BEAM ANGLE	8°, 12°, 20°, 30°, 45°, 60°
MOUNTING	Floor, Wall recessed
LENS	Tempered glass T=8mm
DIMENSIONS	Ø80x85mm(H)
OPERATION TEMP	-20° C - +50° C
LAMP LIFE	50,000 hrs
BODY COLOR	Stainless steel
CONTROL	On/Off, Triac, Dali, 1-10V
MAXIMUM RECESSING DEPTH	3 meter



### ELECTRICAL DATA

SUPPLY VOLTAGE	12V DC, 24V DC, 36V DC, 48V DC
COLORS	2200K, 2700K, 3000K, 4000K, 5000K, 6500K, Red, Green, Blue, Yellow, Amber
CRI	80, 90

### DIMENSION



### ORDERING LOGIC

PRODUCT	WATTAGE	OPTIC	COLOR TEMPERATURE	VOLTAGE	BODY COLOR	CRI	CUSTOM
UW-RM 80	5 - 5W	8 -	8° (CT22)	2200K	SS - Stainless steel	08 - 80	XX
		12 -	12° (CT27)	2700K			
	7 - 7W	20 -	20° (CT30)	3000K	24 - 24VDC		
		30 -	30° (CT40)	4000K	36 - 36VDC		
		45 -	45° (CT50)	5000K	48 - 48VDC		
		60 -	60° (CT65)	6500K			
		(RE)	Red				
		(GR)	Green				
		(BL)	Blue				
		(YE)	Yellow				
(AM)	Amber						

Sample: UW-RM 80 - 5 - 8 - CT 30 - 24 - SS - 08 - XX