

UNDER WATER SERIES

UW-RM 38



YYZ UW series are refined underwater luminaires available in various size, wattage, multiple beam angles to suit varied project requirements. Constructed in 316L grade stainless steel body with high efficiency lens optic and hermetically sealed to IP68 through tempered glass diffuser. Application areas includes all under water, swimming pools etc.

FEATURES

LEDs	1 LED
FINISH	Stainless steel 316L
WORKING VOLTAGE	12V DC, 24V DC, 36V DC, 48V DC
RATED POWER	1W, 1.5W, 2W
BEAM ANGLE	12°, 25°, 40°, 60°
MOUNTING	Floor, Wall recessed
LENS	Tempered glass T=8mm
DIMENSIONS	Ø38x60mm(H)
OPERATION TEMP	-20° C - +50° C
LAMP LIFE	50,000 hrs
BODY COLOR	Stainless steel
CONTROL	On/Off, Triac, Dali, 1-10V
MAXIMUM RECESSING DEPTH	3 meter



OSRAM/CREE
LED Quality

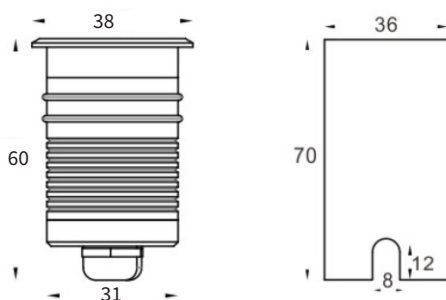
12V DC/24V DC/36V DC/48V DC
Working Voltage

1W/1.5W/2W
Rated power

ELECTRICAL DATA

SUPPLY VOLTAGE	12V DC, 24V DC, 36V DC, 48V DC
COLORS	2200K, 2700K, 3000K, 4000K, 5000K, 6500K, Red, Green, Blue, Yellow, Amber
CRI	80, 90

DIMENSION



ORDERING LOGIC

PRODUCT	WATTAGE	OPTIC	COLOR TEMPERATURE	VOLTAGE	BODY COLOR	CRI	CUSTOM
UW-RM 38	1 - 1W	12 - 12°	(CT22) 2200K	12 - 12VDC	SS - Stainless steel	08 - 80	XX
		25 - 25°	(CT27) 2700K	24 - 24VDC		09 - 90	
	1.5 - 1.5W	40 - 40°	(CT30) 3000K	36 - 36VDC			
		60 - 60°	(CT40) 4000K	48 - 48VDC			
	2 - 2W	60 - 60°	(CT50) 5000K				
		60 - 60°	(CT65) 6500K				
			(RE) Red				
			(GR) Green				
			(BL) Blue				
			(YE) Yellow				
		(AM) Amber					

Sample: UW-RM 38 - 1 - 12 - CT 30 - 24 - SS - 08 - XX