

VERTEX-30

VTX-30



YYZ Lighting Vertex Series are designed for the Exterior Facade lighting and media installation. Vertex Fixtures are available with different type of lenses and diffusers as per the required application. Vertex series are available in mono and RGB color changing with DMX 512 external controller. Fixture has in-built DMX chips which can be programmable in different pixel pitches based on the project requirement.

FEATURES

| | |
|-----------------|---------------------------------|
| LED QUANTITY | 40 LEDs / mtr |
| BODY | AL6063 |
| WORKING VOLTAGE | 12W/mtr |
| RATED POWER | 120° |
| BEAM ANGLE | Mounting Clip/Channel |
| MOUNTING | PMMA |
| OPTIC | Clear or Tempered Glass |
| DIMENSIONS | 1000mm(L) x 30mm(W) x 62.4mm(H) |
| OPERATION TEMP | -35° C - +55° C |
| STORAGE TEMP | -20° C - +60° C |
| WEIGHT | 0.8Kg |
| LAMP LIFE | 50000 hrs |
| BODY COLOR | Anodized Finish |
| CONTROL | DMX512 |
| SDCM | <3 |

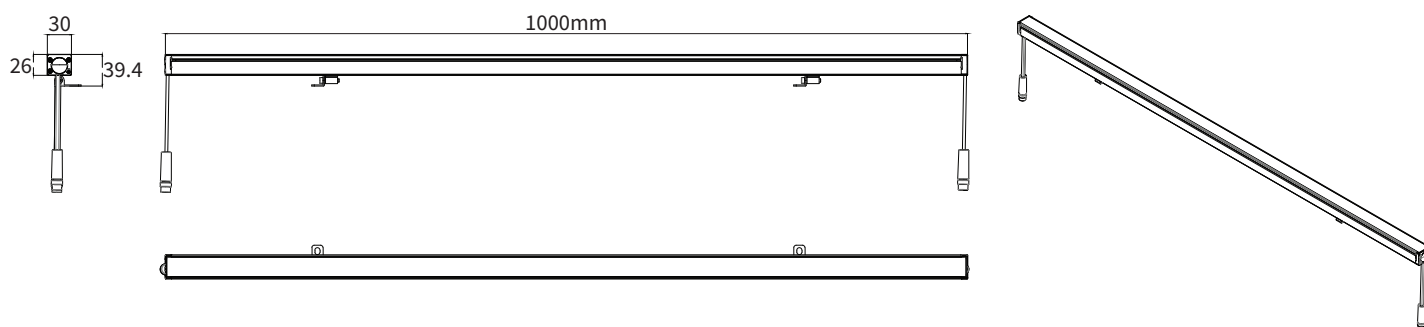


- V** 48V DC Working Voltage
- W** 12W/mtr Rated power
- Pi** 25Pixel Pixels Pitch

ELECTRICAL DATA

| | |
|----------------|---|
| SUPPLY VOLTAGE | 48V DC |
| COLORS | RGB |
| LUMEN | 24 Lumen Per Watt (288 Lumen Per Meter) |

DIMENSION



ORDERING LOGIC

| PRODUCT | WATTAGE | COLOR TEMPERATURE | OPTIC | VOLTAGE | BODY COLOR | CONTROL | CUSTOM |
|---------|----------|-------------------|------------|------------|---------------|---------------|--------|
| VTX-30 | 12 - 12W | (RGB) RGB | 120 - 120° | 48 - 48VDC | AN - Anodized | DMX - DMX 512 | XX |

Sample: VTX-30 - 12 - RGB - 120 - 48 - AN - DMX - XX