

# HB DEXTER SPEC SHEET

## HB-DX



YYZ Dexter series is a dexterous wattage selectable and CCT selectable high bay featuring a patented design, with aesthetic modeling and unique style. It features a built-in microwave occupancy sensor and lumenous output of 170L/W, making it an ideal solution for warehouses, factories, supermarkets, and other indoor applications.

Available in 90 / 120 / 150W or 120 / 160 / 200W models, with CCT selectable for 3000K / 4000K / 5000K. Quality die-cast aluminum construction with multiple beam angle lens options make it a suitable fixture for a multitude of environments.

### FEATURES

OPERATING VOLTAGE	120-347 VAC (CUNV)
OPERATING TEMPERATURE	-30°C to 45°C/ -22°F to 113°F
CONTROL	0-10V Dimming, down to 10%
COLORS	3000K / 4000K / 5000K (Selectable)
BEAM ANGLES	120° (Standard) / 60° / 90°
IP RATING	IP65
IK RATING	IK09
NEMA	4x Rated
ACCESSORIES	Built-in Occupancy Sensor (Optional)
WARRANTY	DLC and ETL listed with 6 year warranty

### ELECTRICAL DATA

AVAILABLE WATTAGES	150W (150W, 120W, 90W) (Selectable) 200W (200W, 160W, 120W) (Selectable)
STANDARD SURGE PROTECTION	6 kV
EFFICACY	170 lm / W
RATED POWER	>0.9
CRI	>70
STANDARD CORD ATTACHMENT	1.83 m (6 ft)
SAFETY CABLE	1.5 m (4.92 ft)



**V** 120-347 VAC  
Operating Voltage

**W** 150W/120W/90W (150W)  
200W/160W/120W (200W)  
Selectable Wattage



### PRODUCT INFORMATION

### 150W (Selectable)

<b>INSTALLATION</b>	Eye-bolt (Standard), Ceiling bracket option
<b>MATERIAL</b>	Die-Cast Aluminum
<b>FINISH</b>	Black
<b>SYSTEM POWER (W)</b>	150W (100%) / 120W (80%) / 90W (60%)
<b>FIXTURE LUMEN OUTPUT (lm)</b>	25500 (100%) / 20400 (80%) / 15300 (60%)
<b>SYSTEM EFFICIENCY (lm/W)</b>	170
<b>LED ENGINE</b>	SMD2835 LED
<b>LED DRIVER</b>	Lifud



### PACKAGING

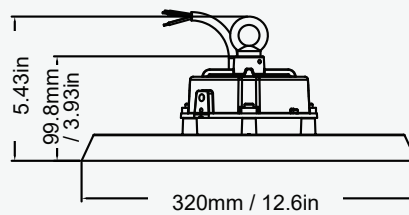
<b>NEW WEIGHT LAMP (kg/lb)</b>	2.3 / 5.07
<b>GROSS WEIGHT CARTON (kg/lb)</b>	2.72 / 6.00
<b>MASTER CARTON DIMENSIONS (mm/in)</b>	340 x 340 x 165 mm / 13.39 x 13.39 x 6.5 Inch
<b>QUANTITY PER CARTON</b>	1

### ORDERING LOGIC

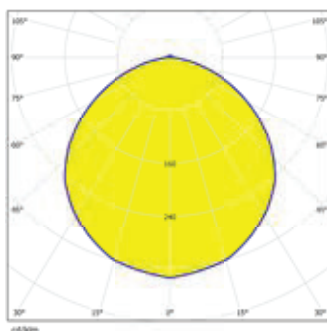
PRODUCT SERIES	TYPE	VOLTAGE	POWER	CRI	COLOR TEMPERATURE	DIMMING	BEAM ANGLES	FINISH	LENS	MOUNTING	ACCESSORIES
HB	DX - Dexter	CUNV - 120-347V	150W - 150 WATTS (120W/120V/80W) Selectable	70 - 70+	(CT 30) 3000K (CT 40) 4000K (CT 50) 5000K (Selectable)	DIM - 0-10V	T20D - 120° (Standard)	BK - BLACK (Standard)	PCL - PC Clear (Standard) PFR - PC Frosted	EB - Eye-bolt (Standard) CB - Ceiling bracket (Optional)	PIR - Occupancy Sensor OS - Microwave Occupancy Sensor RC - Remote Control EB1 - Emergency Battery M10-1/4" - M10-1/4" Adaptor M10-1/2" - M10-1/2" Adaptor M10-3/4" - M10-3/4" Adaptor WG1 - Wire Guard 1 ID - Inline Disconnect 18AL85 - 18" (457mm) 85D Aluminum Reflector 1 16P085S - 16" (410mm) 85D Polycarbonate Reflector

Sample: HB-DX-CUNV-150W-70-CT30-DIM-120D-BK-PCL-EB-PIR

### DIMENSIONS



### DIAGRAM



120°

### PRODUCT INFORMATION

### 200W (Selectable)

<b>INSTALLATION</b>	Eye-bolt (Standard), Ceiling bracket option
<b>MATERIAL</b>	Die-Cast Aluminum
<b>FINISH</b>	Black
<b>SYSTEM POWER (W)</b>	200W (100%) / 160W (80%) / 120W (60%)
<b>FIXTURE LUMEN OUTPUT (lm)</b>	34000 (100%) / 27200 (80%) / 20400 (60%)
<b>SYSTEM EFFICIENCY (lm/W)</b>	170
<b>LED ENGINE</b>	SMD2835 LED
<b>LED DRIVER</b>	Lifud



### PACKAGING

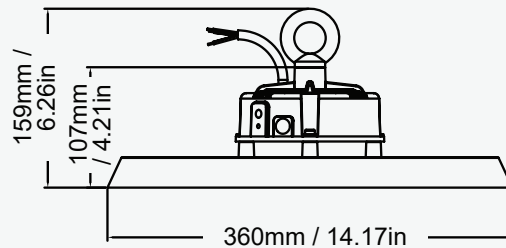
<b>NEW WEIGHT LAMP (kg/lb)</b>	2.9 / 6.39
<b>GROSS WEIGHT CARTON (kg/lb)</b>	3.36 / 7.41
<b>MASTER CARTON DIMENSIONS (mm/in)</b>	380 x 380 x 190 mm / 14.96 x 14.96 x 7.48 Inch
<b>QUANTITY PER CARTON</b>	1

### ORDERING LOGIC

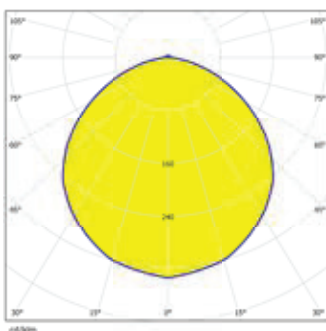
PRODUCT SERIES	TYPE	VOLTAGE	POWER	CRI	COLOR TEMPERATURE	DIMMING	BEAM ANGLES	FINISH	LENS	MOUNTING	ACCESSORIES
HB	DX - Dexter	CUNV - 120-347V	200W - 200 WATTS (200W/160W/120W) Selectable	70 - 70+	(CT 30) 3000K (CT 40) 4000K (CT 50) 5000K (Selectable)	DIM - 0-10V	T20D - 120° (Standard)	BK - BLACK (Standard)	PCL - PC Clear (Standard) PFR - PC Frosted	EB - Eye-bolt (Standard) CB - Ceiling bracket (Optional)	PIR - Occupancy Sensor OS - Microwave Occupancy Sensor RC - Remote Control EB1 - Emergency Battery M10-1/4" - M10-1/4" Adaptor M10-1/2" - M10-1/2" Adaptor M10-3/4" - M10-3/4" Adaptor WG1 - Wire Guard 1 ID - Inline Disconnect 20AL85 - 20.7" (525mm) 85D Aluminum Reflector 2 16P085L - 16" (410mm) 85D Polycarbonate Reflector

Sample: HB-DX-CUNV-200W-70-CT30-DIM-120D-BK-PCL-EB-PIR

### DIMENSIONS



### DIAGRAM



120°

## MOUNTING OPTIONS

Eye Bolt (Standard)

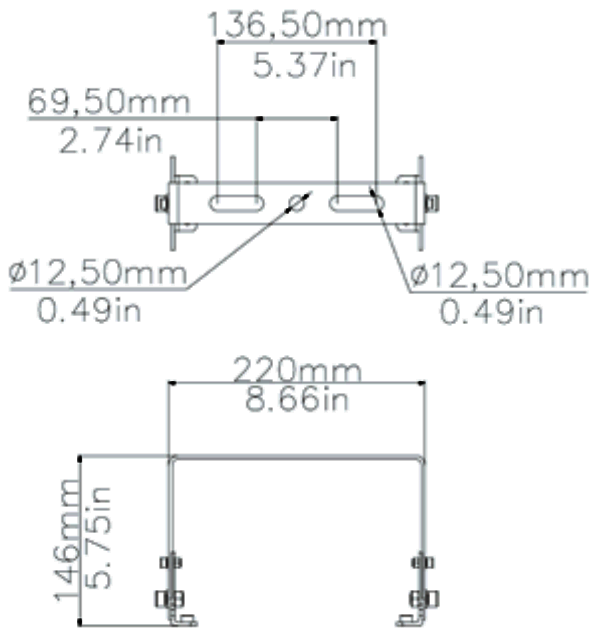


Ceiling Bracket

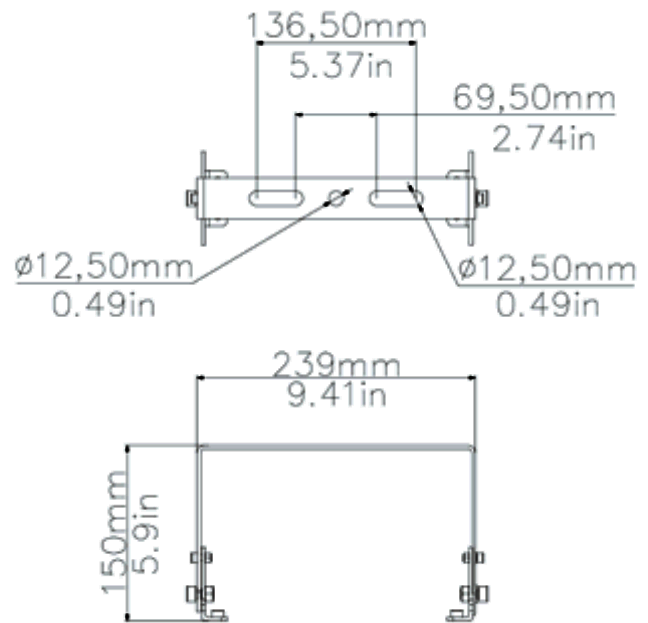


## CEILING BRACKET DIMENSIONS

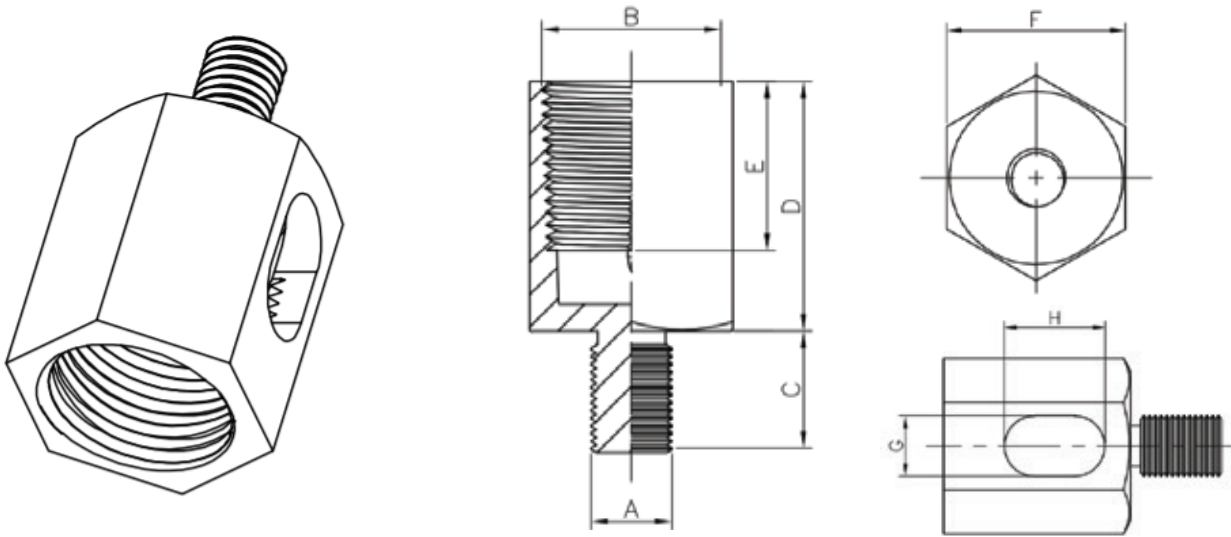
CB1 - 150WS



CB2 - 200WS



## ADAPTOR DIMENSIONS



UNIT: mm

A	B	C	D	E	F	G	H
M10X1.5 Adaptor	1/2"-14 NPT	18	37	25	30	13	23
	1/4"-14 NPT	18	37	25	25	13	23
	3/4"-14 NPT	18	37	25	30	12	20
M12X1.75 Adaptor	1/2"-14 NPT	18	37	25	30	13	23
	1/4"-14 NPT	18	37	25	25	13	23
	3/4"-14 NPT	18	37	25	30	12	20

UNIT: in

A	B	C	D	E	F	G	H
M10X1.5 Adaptor	1/2"-14 NPT	0.71	1.46	0.98	1.18	0.51	0.91
	1/4"-14 NPT	0.71	1.46	0.98	0.98	0.51	0.91
	3/4"-14 NPT	0.71	1.46	0.98	1.18	0.47	0.79
M12X1.75 Adaptor	1/2"-14 NPT	0.71	1.46	0.98	1.18	0.51	0.91
	1/4"-14 NPT	0.71	1.46	0.98	0.98	0.51	0.91
	3/4"-14 NPT	0.71	1.46	0.98	1.18	0.47	0.79

## ACCESSORIES

**MS Microwave Sensor**



**PIR Occupancy Sensor**



**Wire Guard**



**RC Remote Control**



**Emergency Battery**

EB1 25W 120-347v (150WS)  
EB2 40W 120-347v (200WS)



## REFLECTOR

**16PO85S Reflector**  
16" Polycarbonate 85D Reflector



**16PO85L Reflector**  
16" Polycarbonate 85D Reflector



**18AL85 Reflector**  
18" Aluminum 85D Reflector



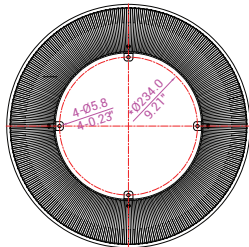
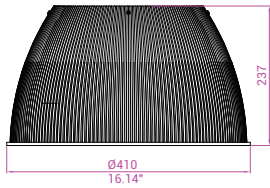
**20AL85 Reflector**  
20" Aluminum 85D Reflector



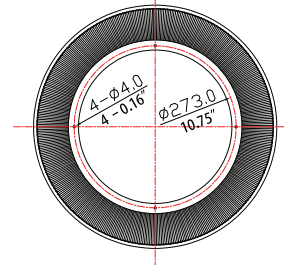
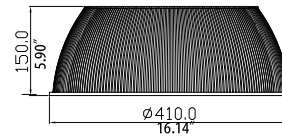
## REFLECTOR DIMENSIONS

Unit:mm/inch

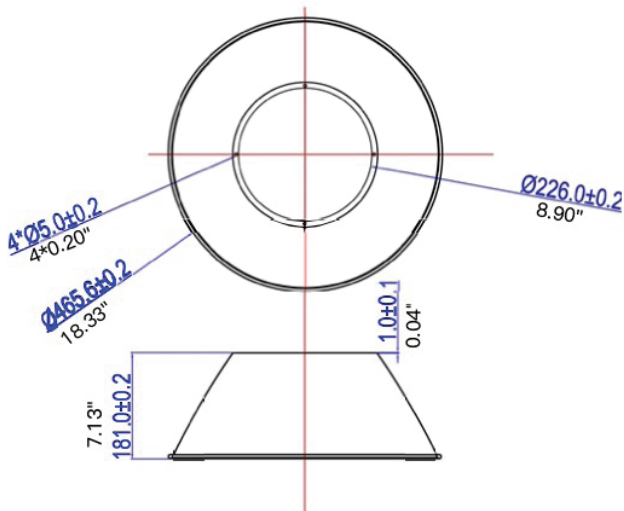
**16PO85S Reflector - 150WS**



**16PO85L Reflector - 200WS**



**16PO85 Reflector - 150WS**



**16PO85 Reflector - 200WS**

