

MARKER MINI 52 SPEC SHEET

MM-52



IP67
WATER
PROOF

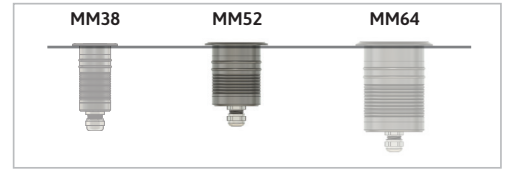


3 W (CV)
3 W (CC)

Mini Marker lights the way with high CRI, even in the most harsh conditions. Manufactured with 316L stainless steel and a borosilicate glass lens, this in-ground/in-wall luminaire is immune to corrosion caused by salt, oxidization, and traffic. With several beam options and CCT's to choose from, it is easy to find the right coverage for ambiance and safety.

FEATURES

| | |
|------------------------------|---|
| OPERATING VOLTAGE | 24 VDC CV / 850 mA CC |
| OPERATING TEMPERATURE | -20°C to +50°C |
| RATED POWER | 3W (CV) / 3W (CC) |
| CRI | >90 |
| NO OF LEDS | 1 |
| LIGHT SOURCE | Samsung |
| CONTROL | Switched, 1-10V, DALI |
| OPTICS | Lens |
| BINNING | 3-step |
| COLOR RANGE | 2200K, 2700K, 3000K, 3500K, 4000K, 5000K |
| MATERIAL | 316L Stainless Steel (top cover) / Aluminum (main body) |
| FINISH | Silver (top) and black (body) (Std.) |
| PROJECTION | 8°, 25°, 32° |
| MOUNTING | In-floor, In-ground |
| CONNECTION | Outdoor Rated Connections |
| LAMP LIFE | 50,000 hrs |
| DIMENSIONS | Dia. 52 x 69 mm |



1 LED
LED Quantity

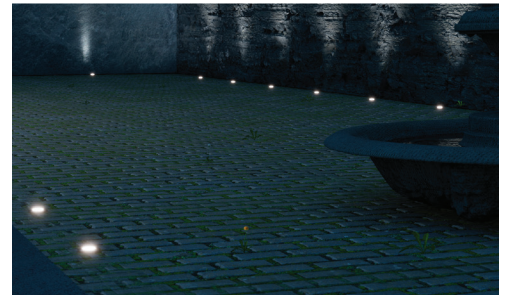
E 24 VDC (CV) / 850 mA (CC)
Electrical Operation

W 3W (CV) / 3W (CC)
Rated power

LUMEN DATA AT 2700K

| Data | Narrow | Medium | Wide |
|------------|----------|-----------|-----------|
| Beam Angle | 8 Degree | 25 Degree | 32 Degree |
| Lumens | 166 lm | 174 lm | 156 lm |

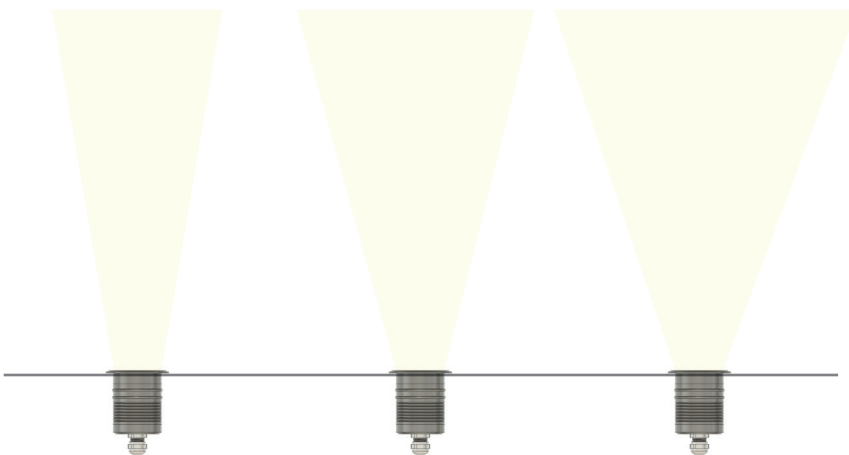
Application



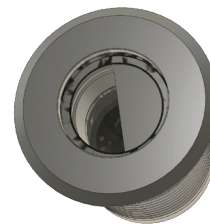
Narrow

Medium

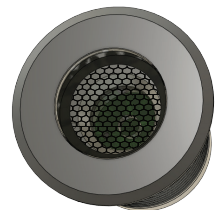
Wide



Eye Lid (Optional)



Honeycomb Louver (Optional)



MARKER MINI 52 SPEC SHEET

MM-52



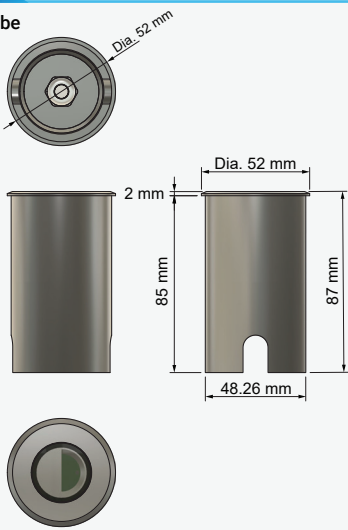
ORDERING CODE

| SERIES | TYPE | POWER | DRIVER | CRI | COLOR TEMPERATURE | PROJECTION | CONTROL | FINISH | | ACCESSORIES |
|--------|------|----------------------|-------------------------------|------------|-------------------|------------------|---------------|---------------------------|---|--------------|
| MKR-MI | 52 | 3W - 3 WATTS (CV) | CV - Constant Voltage (3W) | 90 - CRI90 | CT22 - 2200K | 8D - 8 Degrees | SW - Switched | BODY FINISH BL - Black | TOP FINISH SS - Stainless Steel XX - Custom | EL - Eye Lid |
| | | 3W - 3 WATTS (CC) | CC - Constant Current (3W) | | CT27 - 2700K | 25D - 25 Degrees | AN - 1-10V | | | |
| | | | | | CT30 - 3000K | 32D - 32 Degrees | DA - DALI | | | |
| | | | | | CT35 - 3500K | | | | | |
| | | | | | CT40 - 4000K | | | | | |
| | | | | | CT50 - 5000K | | | | | |

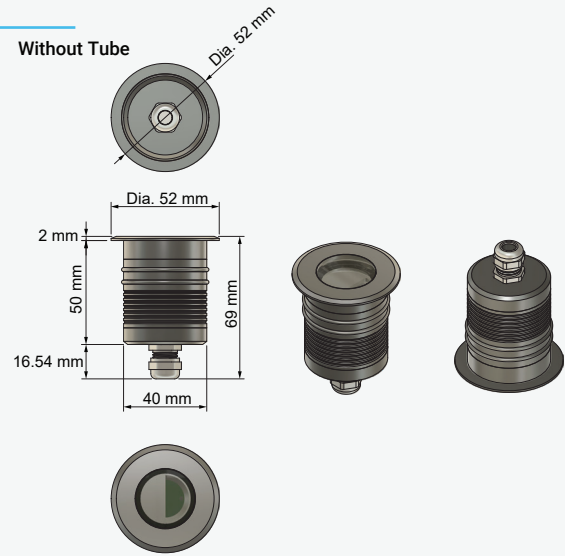
Sample: MKR-MI-52-3W-CV-90-CT30-32D-SW-BL-XX-EL

DIMENSIONS

With Tube

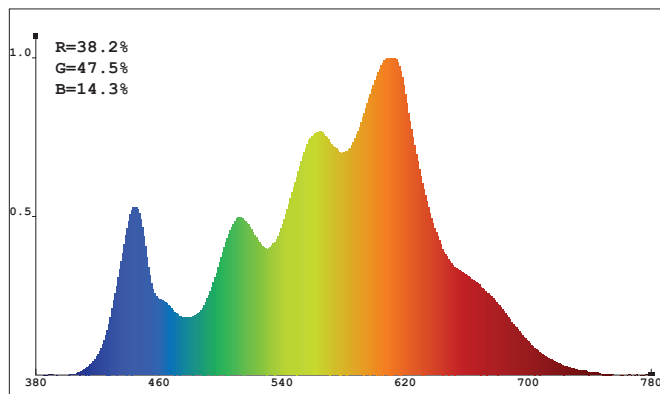


Without Tube

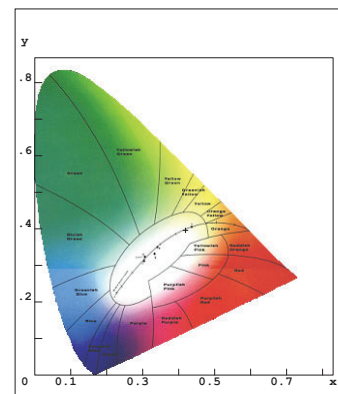


PHOTOMETRIC DATA

Spectral Distribution



CIE 1931 Color Space



RELATED PRODUCTS

Marker Mini 64



Marker Mini 38

