

# STEP 65Q

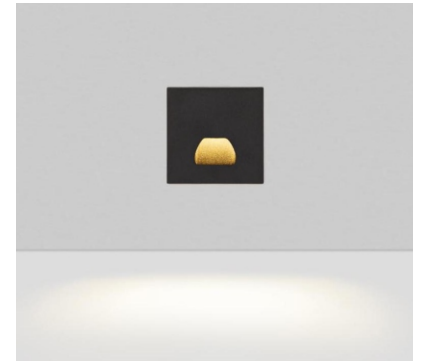
## STP 65Q

**Mono** IP65 CE

YYZ Step is a type of recessed wall luminaire made in aluminium housing and is corrosion-resistant. It features a sleek profile with no visible hardware, designed to seamlessly blend into any architecture. These luminaires offer enhanced energy efficient functionality and optimized light output to adequately illuminate stairs, walls and walkways with little or no glare.

### FEATURES

HOUSING	Aluminum
WORKING VOLTAGE	24V DC
MOUNTING	Wall recessed
OPTICS	Lens
BEAM ANGLE	Asymmetric
DIMENSIONS	65x65x34mm(Cutout Ø60mm)
OPERATION TEMP	-30° C - +50° C
BODY COLOR	Black, White
LAMP LIFE	50,000 hrs
CONTROL	On/Off, DALI

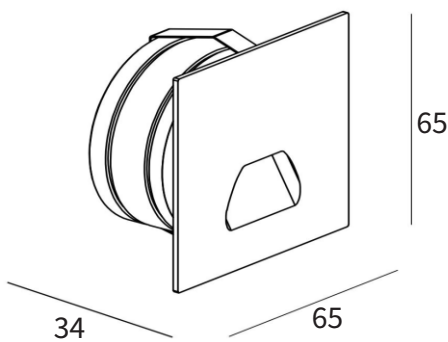


- CREE  
LED Quality
- 24V DC  
Working Voltage
- 3W  
Rated power

### ELECTRICAL DATA

RATED POWER	3W
SUPPLY VOLTAGE	230 V AC
COLORS	2700K, 3000K, 4000K
CRI	90
LUMEN	140lm

### DIMENSION



### ORDERING LOGIC

PRODUCT	WATTAGE	COLOR TEMPERATURE	CONTROL	FINISH	
STP 65Q	3 - 3W	(CT27)	2700K	SW - On/Off	BK - Black
		(CT30)	3000K	DA - DALI	WH - White
		(CT40)	4000K		

Sample:STP 65Q - 3 - CT27 - SW - BK