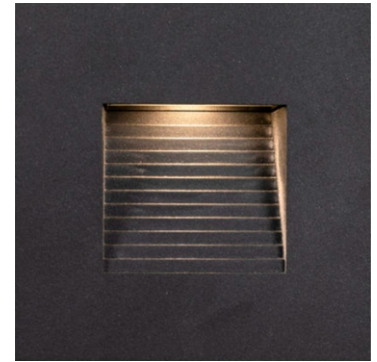


STEP STP 3

Mono IP65 CE

YYZ Step is a type of recessed wall luminaire made in aluminium housing and is corrosion-resistant. It features a sleek profile with no visible hardware, designed to seamlessly blend into any architecture. These luminaires offer enhanced energy efficient functionality and optimized light output to adequately illuminate stairs, walls and walkways with little or no glare.



FEATURES

HOUSING	Aluminum
WORKING VOLTAGE	220-240V AC
MOUNTING	Wall recessed
OPTICS	Lens
BEAM ANGLE	120°
DIMENSIONS	100 x 100mm(Cutout 94 x 94mm)
OPERATION TEMP	-30° C - +50° C
BODY COLOR	Black, White, Silver
LAMP LIFE	50,000 hrs

CITIZEN
LED Quality

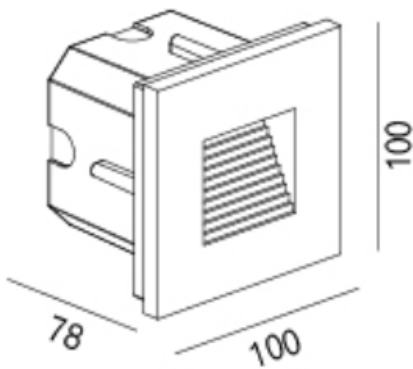
220-240V AC
Working Voltage

3W
Rated power

ELECTRICAL DATA

RATED POWER	3W
SUPPLY VOLTAGE	220-240V AC
COLORS	2700K, 3000K, 4000K
CRI	90

DIMENSION



ORDERING LOGIC

PRODUCT	WATTAGE	OPTIC	COLOR TEMPERATURE	VOLTAGE	CONTROL	FINISH
STP 3	3 - 3W	120 - 120°	(CT27) 2700K (CT30) 3000K (CT40) 4000K	AC - 240V AC	ND - Non Dimmable	BK - Black WH - White SL - Silver

Sample:STP 3 - 3 - 120 - CT27 - AC - ND - BK