

EMERALD

EMD-R-10

Mono IP65 CE

The YYZ Emerald is an adaptable shallow-depth indoor downlight, meticulously crafted from die-cast aluminum, tailored for both general and accent lighting, distinguished by a superior IP rating. This recessed ceiling-mounted downlights incorporate a 30° adjustable symmetrical light distribution, ensuring the provision of illumination free from glare. Its understated yet refined design renders it an optimal choice for a diverse array of applications, spanning residential, commercial, and hospitality domains.



FEATURES

MATERIAL	Aluminum
FINISH	White, Black, Silver, Nickel Brushed
RATED POWER	8W, 10W
WORKING VOLTAGE	200-240V AC
RADIANCE ANGLE	36°, 60°
MOUNTING	Ceiling recessed mounted
CONNECTION	Outdoor rated connections
LAMP LIFE	50,000 Hrs
DIMENSION	Ø110 x 49.5mm (Cutout Ø90mm)
OPERATING TEMP	-20° C - +50° C
CONTROL	On/Off, Dali

CREE
LED Quality

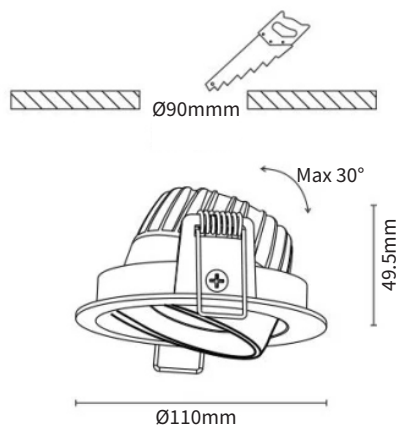
200-240V AC
Working Voltage

8W / 10W
Rated power

ELECTRICAL DATA

SUPPLY VOLTAGE	240V AC
COLORS	2700K, 3000K, 4000K, 5000K
CRI	80, 90
LUMEN	800lm (8W), 1000lm (10W) @ 3000K

DIMENSIONS



ORDERING LOGIC

PRODUCT	WATTAGE	COLOR TEMPERATURE	BEAM ANGLE	CONTROL	FINISH	CRI	
EMD-R-10	8 - 8W	(CT27)	2700K	36° - 36°	SW - On/Off	WH - White	80 - 80
		(CT30)	3000K	60° - 60°	DA - DALI	BK - Black	90 - 90
	10 - 10W	(CT40)	4000K			SL - Silver	
		(CT50)	5000K			NB - Nickel Brushed	

Sample: EMD-R-10 - 8 - CT27 - 36 - SW - WH - 80