

ECLIPSE WALL SCONCE

EWS

IP66
WATER
PROOF

The Eclipse Wall/Ceiling Sconce is an innovative LED luminaire designed for wall and ceiling mounting, featuring a distinctive 360° x 10° effect optic. Engineered to enhance ceiling and wall washing, it directs light from opposing sides through specially developed reflectors, resulting in a uniform arc of light that can gracefully illuminate entire walls or ceilings indirectly in a 360° radial effect with a single luminaire. Meticulously crafted, the Eclipse Sconce showcases a sleek, minimalist design that seamlessly harmonizes with any décor. It appears to float on the surface, producing a soft glow that blends into its surroundings, emitting a gentle, welcoming light. This luminaire transforms ordinary walls or ceilings into captivating focal points, promoting relaxation and elevating the aesthetic charm of your environment..



FEATURES

MATERIAL	Die-cast Aluminum
RATED POWER	9W
WORKING VOLTAGE	24V DC
BEAM ANGLE	360° x 10°
MOUNTING	Wall mounted
LAMP LIFE	50,000 hrs
DIMENSIONS	Ø110 x 51.7mm
OPERATION TEMP	-20° C - +50° C
CONTROL	On/Off, Dali, DMX512

CREE /OSRAM / PHILIPS
LED Quality

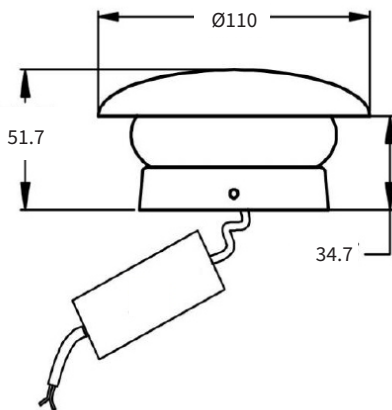
220-240V AC / 24V DC
Working Voltage

9W
Rated power

ELECTRICAL DATA

POWER CONSUMPTION	9W
COLORS	3000K, 4000K, 6000K, RGBW
CRI	80
SDCM	3 Step MacAdam
LUMEN	570lm (3000K), 380lm (RGBW)

DIMENSION



ORDERING LOGIC

PRODUCT	POWER	OPTIC	COLOR TEMPERATURE	VOLTAGE	BODY COLOR	CONTROL	
EWS	9 - 9W	360x10 - 360° x 10°	(CT30)	3000K	AC - 500mA /220-240V AC	SBK - Sanded Black (RAL 9005)	SW - On/Off
			(CT40)	4000K	DC - 24V DC Intergral	SDG - Sanded Dark Grey (RAL 7024)	DA - Dali
			(CT60)	6000K		SLG - Sanded Light Grey (RAL 9037)	DMX - DMX512
			(RGBW)	RGBW		SSSG - Shining Sanded Silver Grey (RAL 9006)	
						SSPG - Shining Sanded Pearl Gold (RAL 1036)	

Sample: EWS - 9 - 360x10 - CT30 - AC - SBK - SW