

EMERALD ZOOMABLE & TILT ADJUSTABLE DOWNLIGHT

EMD-ZT

Mono IP20 CE

The YYZ Emerald Zoomable and Tilt Adjustable Downlight is a Telescopic Zoomable LED Downlight featuring Warm to Dim technology, designed to enhance your lighting experience. This versatile downlight offers unparalleled control and ambiance, enabling you to adjust both the zoom and tilt angles to suit your specific needs. With its 15° - 60° telescopic zoom feature, you can effortlessly modify the beam angle to precisely focus the light where desired whether for task lighting, accentuating artwork, or creating a cozy atmosphere. The 0° to 20° tilt adjustment on the horizontal plane ensures you can direct the light at various angles, making it perfect for highlighting different areas of a room, wall, or space. The Warm to Dim LED technology introduces an extra layer of customization, allowing a seamless transition in color temperature from a warm and inviting 3000K to a soothing and calming 1800K. This dynamic range of color temperatures enables you to adapt the lighting to different moods and occasions, ultimately creating the perfect ambiance for any setting.

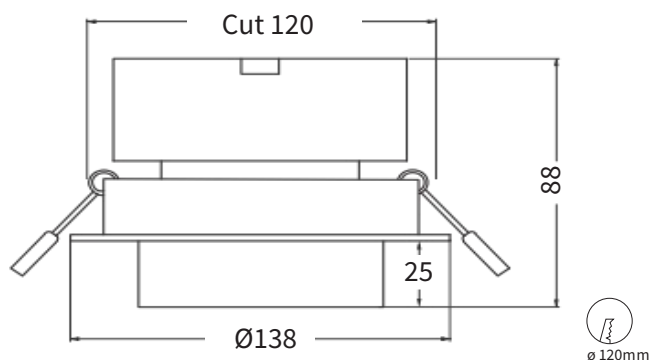
FEATURES

MATERIAL	Aluminum
FINISH	White, Black
RATED POWER	27W
WORKING VOLTAGE	200-240V AC
ZOOMABLE ANGLE	15° to 60° Beam Angle
ADJUSTABLE	0 - 20° Tilt
MOUNTING	Ceiling recessed mounted
CONNECTION	Indoor rated connections
LAMP LIFE	50,000 Hrs
DIMENSION	Ø138 x 88mm (Cutout Ø120mm)
OPERATING TEMP	-20° C - +50° C
CONTROL	On/Off, Dali

ELECTRICAL DATA

POWER CONSUMPTION	27W
SUPPLY VOLTAGE	200-240V AC
COLORS	Dim to Warm (3000°K to 1800°K CCT Range)
CRI/SDCM	90 (SDCM 2)
DELIVERED LUMEN	2400lm

DIMENSIONS



- BRIDGELUX VESTA® SERIES DIM-TO WARM LED Quality
- 200-240V AC Working Voltage
- 27W Rated power

ORDERING LOGIC

PRODUCT	WATTAGE	COLOR TEMPERATURE	BEAM ANGLE	FINISH	CONTROL
EMD-ZT	27 - 27W	(DW) Dim to Warm (3000°K to 1800°K CCT)	15~60 - 15°~60°	WH - White BK - Black	DA - DALI SW - ON/OFF

Sample: EMD-ZT - 27 - DW - 15-60 - WH - DA