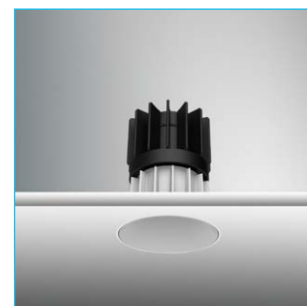


CORAL TRIMLESS FIXED DOWN LIGHT

CRL TLS-F1

Mono IP44 IP65(LED Module) CE

The YYZ Coral Series Recessed Trimless Fixed LED Downlights is a perfect choice for lighting projects that require superior visual comfort, efficiency, and high quality of light with white reflector. Boasting a UGR value of less than 19, these downlights provide excellent glare control and uniformity of illumination while maintaining a high level of visual comfort. Coral Series offers several options for ordering, including a range of lens combinations in four beam angle options. It also includes four different diffuser/louvers as additional accessories for further glare control and soft light diffusion. The LED module is available in both IP44 and IP65 ratings, permitting it to be utilized in covered applications that require improved IP ratings. This series of LED downlights is the ideal choice for lighting projects that demand a reliable, energy efficient solution with superior visual comfort and quality of light. With its customizable options, the YYZ Coral Series Recessed Trimless Fixed LED Downlights is the perfect choice for any commercial or residential application.



FEATURES

FINISH	White, Black
RATED POWER	8W, 10W, 12W
WORKING CURRENT	250mA(8W), 800mA(10W), 350mA(12W)
RADIANCE ANGLE	15°(10W only), 30°, 50°, 60°
MOUNTING	Ceiling recessed
CONNECTION	Indoor rated connections
LAMP LIFE	50,000 Hrs
DIMENSION	Ø121 x 96mm(Cutout Ø80mm)
OPERATING TEMP	-20° C - +50° C
CONTROL	On/Off, Triac, 1-10V, Dali

CITIZEN LED Quality

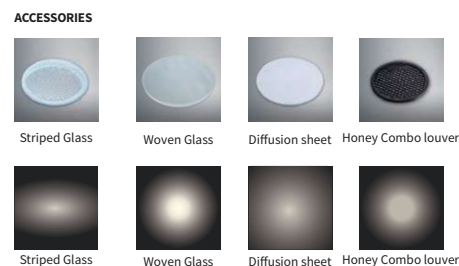
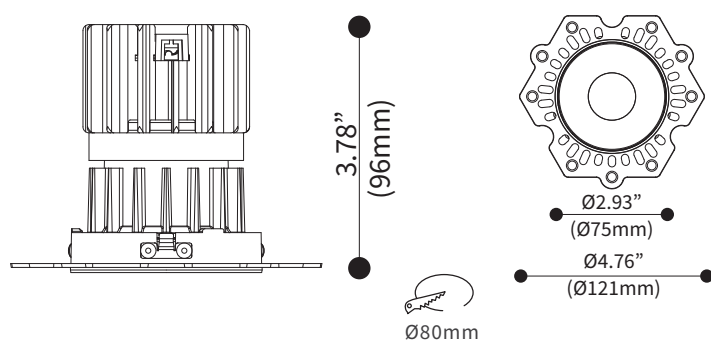
250mA/800mA/350mA Working Current

8W/10W/12W Rated power

ELECTRICAL DATA

POWER CONSUMPTION	8W, 10W, 12W
SUPPLY VOLTAGE	220-240VAC
COLORS	2700K, 3000K, 4000K
CRI	90+
UGR	<19
LUMEN	660lm @ 8W, 784lm @ 10W, 1124lm @ 12W

DIMENSIONS



ORDERING LOGIC

PRODUCT	LED MODULE	WATTAGE	COLOR TEMPERATURE	CONTROL	BEAM ANGLE	TRIM FINISH	REFLECTOR FINISH	ACCESSORIES	IP RATING
CRL TLS-F1	L8 - LED8	8 - 8W	(CT27)	2700K	ND - ON/OFF	15 - 15°(10W only)	WH - White	BK - Black	44 - IP44
	L10 - LED10	10 - 10W	(CT30)	3000K	TR - Triac	30 - 30°	WH - White	SG - Striped Glass	65 - IP65
	L12 - LED12	12 - 12W	(CT40)	4000K	AN - 0-10V	50 - 50°	WH - White	HC - Honey Combo louver	
					DA - Dali	60 - 60°		DS - Diffusion sheet	
							WG - Woven Glass		

Sample: CRL TLS-F1 - L8 - 8 - CT27 - ND - 30 - WH - BK - SG - 44