

BADGE SERIES

BDG-2

Mono IP68 IK10

YYZ Badge series, a ground-mounted LED luminaire designed for pathways and landscape illumination. This soft LED version features precision optical systems that offer a low glare rating while reducing light pollution. Constructed from 316 Grade Marine grade stainless steel, the Pathway Light is ideal for marina walkways, landscape pathways, and other areas requiring glare-free illumination. The light casts a flat beam in single, two, or quadruple directions, providing accent and safety lighting without upward glare. With an IP68 rating and IK08 rating, this luminaire is built to withstand challenging environments, including drive-over capability up to 1000kg @ 20km/hr. Experience the desired effect with high-quality optical systems, achieving soft and uniform lighting that seamlessly enhances the surrounding space.



FEATURES

MATERIAL	316 marine grade stainless steel
RATED POWER	1W, 2W
LIGHT PATTERN	Single, Double, 4-Sided
MOUNTING	Floor recessed
CONNECTION	Outdoor rated connections
LAMP LIFE	50,000hrs
DIMENSION	Ø56 x 85.2mm
OPERATING TEMP	-20° C - +50° C
CONTROL	On/Off
OPTICS	Diffuser
WORKING VOLTAGE	24V DC

CREE, LUMILEDS, BRIDGELUX
LED Quality

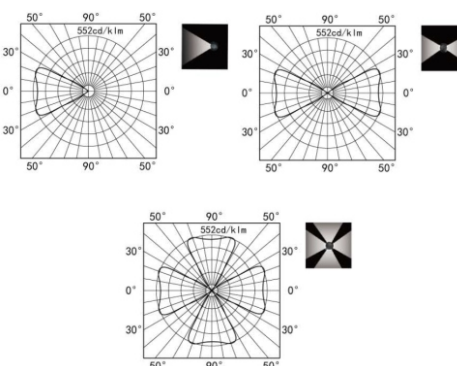
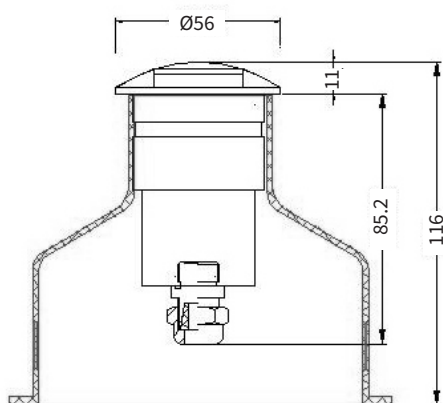
24V DC
Working Voltage

1W/2W
Rated power

ELECTRICAL DATA

POWER CONSUMPTION	1W, 2W
COLORS	2700K, 3000K, 4000K, 5000K
CRI	85+
LUMEN	1W-35lm, 2W-65lm

DIMENSION



ACCESSORIES



Recessed Box

ORDERING LOGIC

PRODUCT	WATTAGE	COLOR TEMPERATURE	BEAM DIRECTION	VOLTAGE	CONTROL	FINISH	ACCESSORIES
BDG-2	1 - 1W 2 - 2W	(CT27)	2700K	1S - Single	DC - 24V DC	SS - Stainless steel	RB - Recessed Box
		(CT30)	3000K	2S - Double			
		(CT40)	4000K	4S - 4 Sided			
		(CT50)	5000K				

Sample: BDG - 1 - CT27 - 1S - DC - SW - RB