

# MICRO FLOOR

## MRF

**Mono** IP68 IK10 CE

YYZ Micro floor series is a range of miniature Inground Uplight Luminaries in Soft LED Version, perfect for facade and landscapes. These compact ground-mounted LED lights offer functional and dramatic lighting solutions for steps, and pathways, with superior finishing and efficiency. With an IP 68 rating and IK 10 rating, these luminaries are drive-over rated up to 1000Kg @ 20Km/hr, ensuring better protection and durability. The 316 Marine Grade Stainless Steel Body and Housing are also Anti Corrosion resistant for long-lasting use. The micro floor series offers a soft, uniform, and enhancing lighting effect, blending seamlessly with the surrounding space. Installation and maintenance are made easier with its unique design.



### FEATURES

MATERIAL	316 Marine grade stainless steel
WORKING VOLTAGE	24V DC
RATED POWER	1W, 2W, 3W
BEAM ANGLE	15°, 30°, 36°, 60°, 120°
LAMP LIFE	50,000 hrs
MOUNTING	Floor or Wall recessed
CONNECTION	Outdoor rated connections
DIMENSIONS	Ø50 x 100mm
OPERATION TEMP	-30° C - +50° C
CONTROL	On/Off

CREE/LUMILEDS/OSRAM/BRIDGELUX  
LED Quality

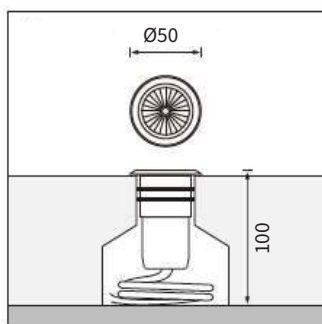
24V DC  
Working Voltage

1W, 2W, 3W  
Rated power

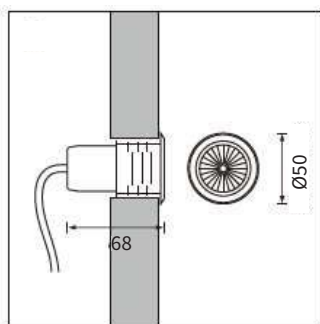
### ELECTRICAL DATA

POWER CONSUMPTION	1W, 2W, 3W
COLORS	2700K, 3000K, 4000K, 5000K
CRI	80+
LUMEN	1W (Frosted glass) - 40lm, 1W (clear glass) - 90lm, 2W (clear glass) - 180lm, 3W (clear glass) - 360lm

### DIMENSIONS

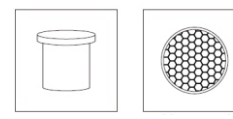


Ground recessed



Wall recessed

#### ACCESSORIES



Recessed Box

Honeycomb

### ORDERING LOGIC

PRODUCT	WATTAGE	COLOR TEMPERATURE	BEAM ANGLE	VOLTAGE	CONTROL	FINISH	ACCESSORIES	DIFFUSER	
MRF	1 - 1W 2 - 2W 3 - 3W	(CT27)	2700K	15° - 15°	DC - 24V DC	SW - On/Off	SS - Stainless steel	GRB - Ground Recessed Box	CG - Clear Glass
		(CT30)	3000K	30° - 30°				HC - Honeycomb	FG - Frosted Glass
		(CT40)	4000K	36° - 36°				WRB - Wall Recessed Box	
		(CT50)	5000K	60° - 60°					
				120° - 120°					

Sample: MRF - 1 - CT27 - 15 - DC - SW - SS - GRB - CG