

# EPSILON SERIES

## ESN-NA



YYZ Epsilon series of downlights feature high powered COB led modules backed by excellent aluminum heatsink to deliver the best lumen performance. The black antiglare reflector with minimal ceiling aperture makes it the preferred choice for demanding architectural applications.

### FEATURES

<b>MATERIAL</b>	Aluminum
<b>FINISH</b>	White, Black
<b>RATED POWER</b>	8W, 10W
<b>OPERATING VOLTAGE</b>	120V AC
<b>BEAM</b>	30°, 60°
<b>MOUNTING</b>	Ceiling Recessed
<b>CONNECTION</b>	Indoor-rated connections
<b>LAMP LIFE</b>	50,000 hrs
<b>DIMENSIONS</b>	109 x 109 x 57.2 mm (cutout Ø58.2mm)
<b>OPERATING TEMP.</b>	-20° C to +50° C
<b>CONTROL</b>	1-10 V Dimming
<b>WARRANTY</b>	ETL Listed, 3 Years Warranty



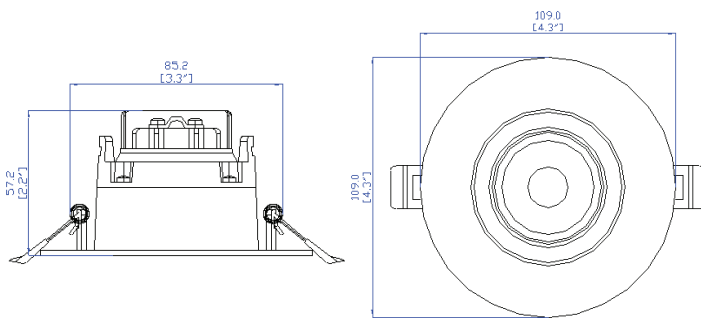
COB LED Quality

8W / 10W Rated power

### ELECTRICAL DATA

<b>POWER</b>	35W, 45W, 60W
<b>OPERATING VOLTAGE</b>	120V AC
<b>CCT</b>	2700K, 3000K, 4000K, 5000K, 6000K
<b>CRI</b>	80, 90
<b>Lumens</b>	800lm

### DIMENSIONS



### ORDERING LOGIC

PRODUCT	WATTAGE	COLOR TEMPERATURE	BEAM ANGLE	FINISH
ESN-NA	8W - 8 WATTS	CT27 - 2700K	30 - 30°	WH - White
		CT30 - 3000K	60 - 60°	BK - Black
	CT40 - 4000K			
	CT50 - 5000K			
	CT60 - 6000K			

Sample: ESN-NA-8W-CT27-30-WH