

LED FLOOD LIGHT

LFL-140 RGBW/RGBA

IP66 **IK05**

 WATER PROOF

YYZ LFL is a unique square-shaped luminaire in power LED version providing precision optical systems which gives very low glare rating, while reducing light pollution and specially designed for landscapes and in unique structural design shape. These luminaires are designed to offer functional, a wide range of lighting solutions and dramatic highlighting of the architectural facades, landscapes, trees through the superior finishing as well highest efficiency with a long service life. This exterior ground spike luminaires are made in aluminum body and can achieve the desired effect in a wide range of applications with high quality optical systems and for direct lighting. These are mainly used in outdoor landscape, building advertising, inside or outside of building wall, huge architecture, huge bridge guardrail.



FEATURES

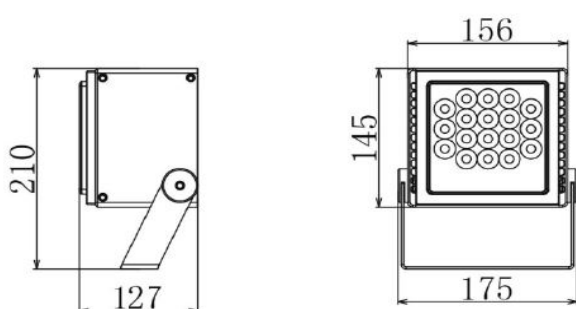
| | |
|-----------------|---|
| MATERIAL | Anodized extruded aluminum |
| FINISH | Black |
| RATED POWER | 45W |
| WORKING VOLTAGE | 24 V DC |
| LED QUANTITY | 18Nos |
| BEAM ANGLE | 8°x8°, 20°x20°, 35°x35°, 45°x45°, 60°x60°, 15°x45°, 30°x60° |
| ROTATION ANGLE | 360° |
| MOUNTING | Surface mount |
| CONNECTION | Outdoor rated connections |
| LAMP LIFE | 50,000 hrs |
| DIMENSIONS | 175x145mm |
| OPERATION TEMP | -40° C - +50° C |
| STORAGE TEMP | -40° C - +80° C |
| CONTROL | DMX512 |

- OSRAM**
LED
- 24V DC**
Working Voltage
- 45W**
Rated power

ELECTRICAL DATA

| | |
|-------------------|------------|
| POWER CONSUMPTION | 45W |
| SUPPLY VOLTAGE | 220 V AC |
| COLORS | RGBW, RGBA |
| CRI | 80 |
| LUMENS | 45lm/W |

DRAWING



ORDERING LOGIC

| PRODUCT | WATTAGE | COLOR TEMPERATURE | | OPTIC | VOLTAGE | FINISH | ACCESSORIES | CUSTOM |
|---------|----------|-------------------|------|-----------------|-------------|------------|----------------------|----------|
| LFL 140 | 45 - 45W | (RGBW) | RGBW | 8 - 8°x8° | DC - 24V DC | BK - Black | AG - Anti-Glare hood | XX - XXX |
| | | (RGBA) | RGBA | 20 - 20°x20° | | | | |
| | | | | 35 - 35°x35° | | | | |
| | | | | 45 - 45°x45° | | | | |
| | | | | 60 - 60°x60° | | | | |
| | | | | 15x45 - 15°x45° | | | | |
| | | | | 30x60 - 30°x60° | | | | |

Sample: LFL 140 - 45 - RGBW - 8 - AC - BK - AG - XX