

# LED FLOOD LIGHT

## LFL-210 RGB/RGBW/RGBA

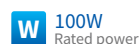
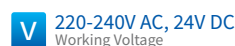


YYZ LFL is a unique square-shaped luminaire in power LED version providing precision optical systems which gives very low glare rating, while reducing light pollution and specially designed for landscapes and in unique structural design shape. These luminaires are designed to offer functional, a wide range of lighting solutions and dramatic highlighting of the architectural facades, landscapes, trees through the superior finishing as well highest efficiency with a long service life. This exterior ground spike luminaires are made in aluminum body and can achieve the desired effect in a wide range of applications with high quality optical systems and for direct lighting. These are mainly used in outdoor landscape, building advertising, inside or outside of building wall, huge architecture, huge bridge guardrail.



### FEATURES

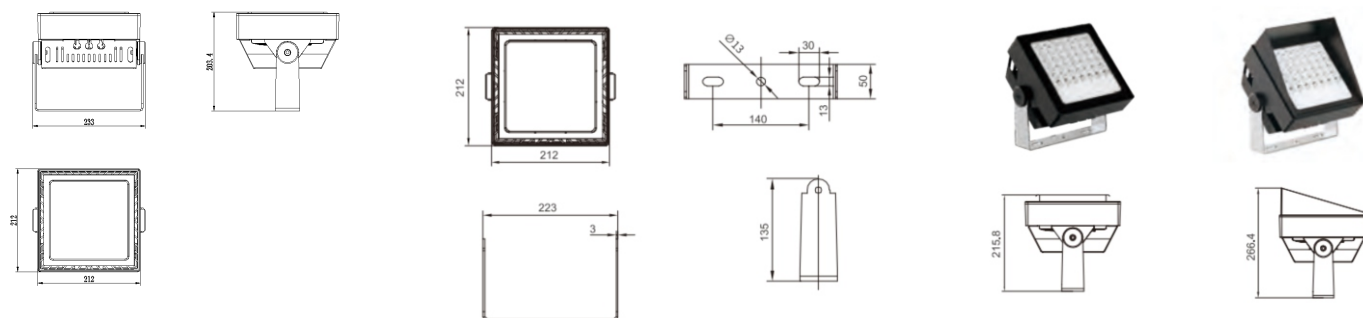
MATERIAL	Anodized extruded aluminum
FINISH	Black
RATED POWER	100W
WORKING VOLTAGE	220-240V AC, 24 V DC
LED QUANTITY	42Nos
BEAM ANGLE	8°x8°, 15°x15°, 20°x20°, 30°x30°, 45°x45°, 60°x60°
ROTATION ANGLE	360°
MOUNTING	Surface mount
CONNECTION	Outdoor rated connections
LAMP LIFE	50,000 hrs
DIMENSIONS	233mm(L)x212mm(W)x203mm(H)
OPERATION TEMP	-40° C - +50° C
STORAGE TEMP	-40° C - +80° C
CONTROL	DMX512



### ELECTRICAL DATA

POWER CONSUMPTION	100W
SUPPLY VOLTAGE	220-240 V AC
COLORS	RGB, RGBW, RGBA
LUMENS	40lm/W

### DRAWING



### ORDERING LOGIC

PRODUCT	WATTAGE	COLOR TEMPERATURE		OPTIC	VOLTAGE	FINISH	ACCESSORIES	CUSTOM
LFL 210	100 - 100W	(RGB)	RGB	8	- 8°x8°	DC - 24V DC	BK - Black	AG - Anti-Glare hood
		(RGBW)	RGBW	15	- 15°x15°	AC - 220-240V AC		
		(RGBA)	RGBA	20	- 20°x20°			
				30	- 30°x30°			
				45	- 45°x45°			
				60	- 60°x60°			

Sample: LFL 210 -100 - RGBW - 8 - AC - BK - AG -XX