

# BAZOOKA SPOT LIGHT

## BZK

**Mono** IP66 IK08

YYZ Bazooka series LED spotlight fixtures are a simple, yet elegant solution for architectural spot and accent luminaire, made of anti-corrosion powder coated aluminium body with stainless steel screws. The luminaire is capable of withstanding extreme outdoor conditions and equipped with tempered glass sealed to IP66. Mounting options are surface and stainless steel spike. The spotlight is available in various beam angles and finishes.

### FEATURES

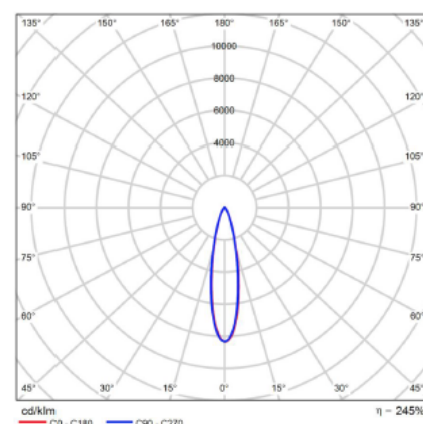
MATERIAL	Anti-corrosive powder coated Aluminium body with stainless steel screws.
FINISH	White, Black, Graphite, Grey
RATED POWER	10W, 14W
WORKING VOLTAGE	220-240V AC
RADIANCE ANGLE	10°, 15°, 25°, 30°, 45°, 60°, 15°x60°, 10°x30°
MOUNTING	Surface, Spike
CONNECTION	Outdoor rated connections
LAMP LIFE	L80, B10, 65, 000 Hrs
DIMENSION	120 x 40x193mm
OPERATING TEMP	-20° C - +50° C
CONTROL	On/Off, 1-10V, Dali
OPTICS	Lens



OSRAM/CREE  
LED Quality

220-240V AC  
Working Voltage

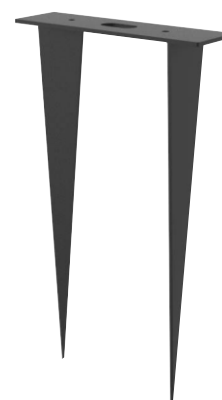
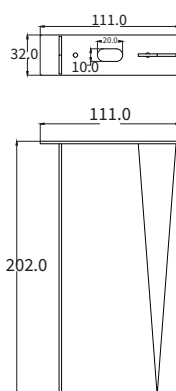
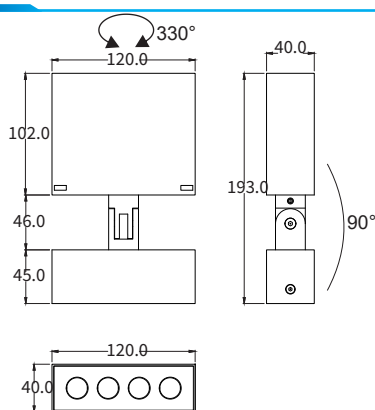
10W, 14W  
Rated power



### ELECTRICAL DATA

POWER CONSUMPTION	10W, 14W
SUPPLY VOLTAGE	220-240V AC
COLORS	2700K, 3000K, 4000K
CRI	80+
LUMEN	75lm/W
MacAdam	SDCM3, SDCM2(On request)

### DIMENSIONS



### ORDERING LOGIC

PRODUCT	WATTAGE	COLOR TEMPERATURE	CONTROL	VOLTAGE	BEAM ANGLE	MOUNTING	FINISH	CUSTOM	
BZK	10 - 10W	(CT27)	2700K	AC - 220-240V AC	10° - 10°	SR - Surface	WH - White	xx	
		(CT30)	3000K		15° - 15°		BK - Black		
	14 - 14W	(CT40)	4000K		25° - 25°		SP - Spike		GP - Graphite
		30° - 30°	GR - Grey						
		45° - 45°							
		60° - 60°							
15x60 - 15°x60°									
10x30 - 10°x30°									

Sample: BZK - 10 - CT27 - SW - AC - 10 - SR - WH - XX