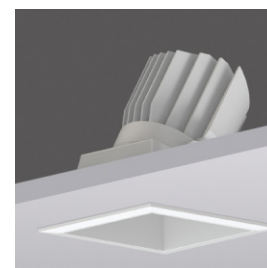


MARVEL SQUARE ADJUSTABLE TRIM

MRL SQ1 ADJ TR

Mono IP20/IP44 C E

YYZ Marvel series is with exquisite physique and the adjustable angle design of the spotlight enable it to exert the anti glare effect to the extreme in various spaces. Higher degree of integration with space and hence can be applicable in areas like office, kitchen, cloakroom & living room.



FEATURES

BODY	Aluminum
FINISH	White
WORKING CURRENT	200mA, 300mA, 350mA
RATED POWER	8W, 12W, 15W
BEAM ANGLE	15°, 24°, 38°, 60°
LAMP LIFE	50,000 hrs
MOUNTING	Ceiling recessed
DIMENSIONS	101x101x110mm(Cutout 90x90mm)
OPERATION TEMP	-20° C - +50° C
CONTROL	On/Off, 1-10V, Phase, Dali, Bluetooth

CITIZEN
LED Quality

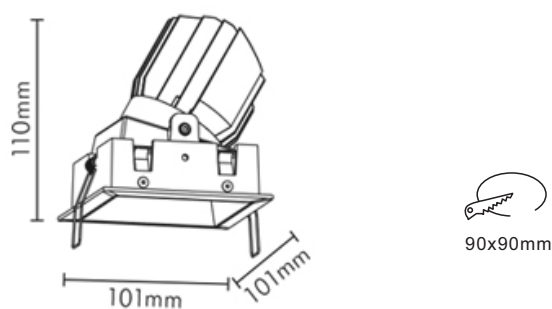
200mA/300mA/350mA
Working Current

8W/12W/15W
Rated power

ELECTRICAL DATA

POWER CONSUMPTION	8W, 12W, 15W
SUPPLY VOLTAGE	100-240Vac
COLORS	2700K, 3000K, 4000K, 5000K
CRI	80, 90
LUMEN	75-102lm
SDCM	3

DIMENSIONS



ORDERING LOGIC

PRODUCT	WATTAGE	COLOR TEMPERATURE	BEAM ANGLE	FINISH	REFLECTOR COLOR
MRL SQ1 ADJ TR	8 - 8W	(CT 27) 2700K	15 - 15°	WH - White	WH - White
	12 - 12W	(CT 30) 3000K	24 - 24°		BK - Black
	15 - 15W	(CT 40) 4000K	38 - 38°		GD - Gold
		(CT 50) 5000K	60 - 60°		

Sample: MRL SQ1 ADJ TR - 15 - CT27 - 15 - WH - WH