

QUANTUM

QTM

Mono IP65 CE

YYZ Quantum uses miniscule modules of LED's contained in a cast aluminium housing with Lens optic and tempered glass cover making it best suited for demanding outdoor environments. Each module is rotatable by 90 degree making it the most flexible luminaire to brace the curved surface seamlessly in an architectural space. Choice of beam angles, glare control attachments with color temperatures in mono colors along with RGBW LED chip makes it offer a versatile solution. Application areas include but not limited to accent, facade, wall grazing applications.



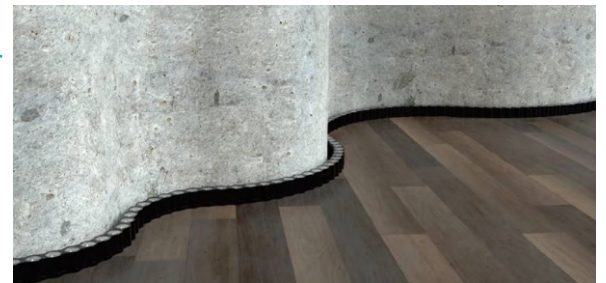
FEATURES

MATERIAL	DIE-CAST ALUMINUM
WORKING VOLTAGE	24V DC
RATED POWER	12W(3Modules), 36W(9Modules)
BEAM ANGLE	15°/25°/40°/60°
LAMP LIFE	50,000 HRS
MOUNTING	SURFACE MOUNTED
DIMENSIONS	145, 445 x 45 x 50mm
OPERATION TEMP	-20° C - +45° C
CONTROL	ON/OFF, DMX512
ACCESSORIES	HONEYCOMB
BODY COLOR	GREY
DAISY CHAIN	MAX.25NOS OF INDIVIDUAL MODULES TO ONE DRIVER

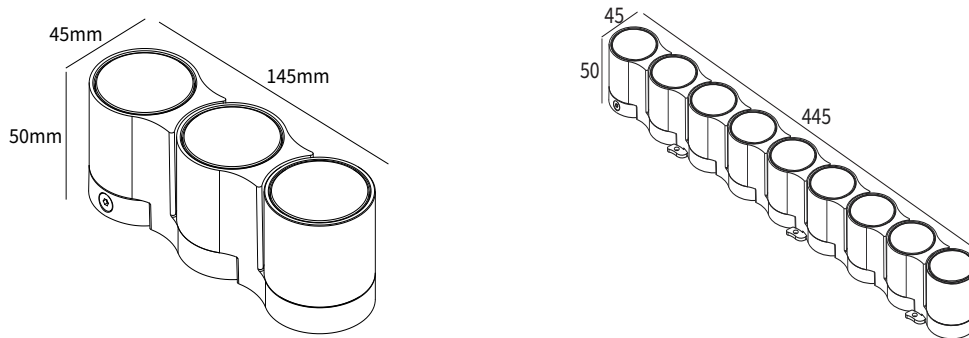
- OSRAM
LED Quality
- 24V DC
Working Voltage
- 4W Per Module
Rated power

ELECTRICAL DATA

POWER CONSUMPTION	12W, 36W
SUPPLY VOLTAGE	100-240V AC
COLORS	2700K, 3000K, 4000K, 5000K, 5700K, RGBW
CRI	90+
LUMEN	80lm/W



DIMENSIONS



ORDERING LOGIC

PRODUCT	WATTAGE	COLOR TEMPERATURE	CONTROL	BEAM ANGLE	FINISH	ACCESSORIES	CUSTOM
QTM	12 - 12W	(CT27)	2700K	ND - Non Dimmable	15 - 15°	GR - Grey	HC - Honeycomb XX - XX
	36 - 36W	(CT30)	3000K	DM - DMX512(RGBW)	25 - 25°		
		(CT40)	4000K	DA - Dali	40 - 40°		
		(CT50)	5000K	AN - 1-10V	60 - 60°		
		(CT57)	5700K				
		(RGBW)	RGBW				

Sample:QTM-12-CT27-ND-15-GR-HC-XX