

CHARISMA- A SERIES

CSA-A

IP54

YYZ Charisma series of decorative Highbay features decorative, yet robust heat sink. Optics made of decorative polycarbonate prismatic refractor adds sparkling element with quality volumetric illumination to the space. Options of metallic reflectors in Aluminium with beam angles of 45°, 60°. Preferred application areas include educational premises, showrooms, halls etc. IP54 rating enables usage of this luminaire in High ceiling entrance halls.



FEATURES

FINISH	Black, Grey, Silver Polycarbonate prismatic refractor
LAMP LIFE	L80 B50, 100,000 Hours
MOUNTING	Suspended
CONNECTION	Indoor rated connections
BEAM ANGLE	45°, 60°
DIMENSIONS	Ø410x523mm
OPERATION TEMP	-25° C - +50° C
MacAdam	3SDCM, 2SDCM(on request)

ELECTRICAL DATA

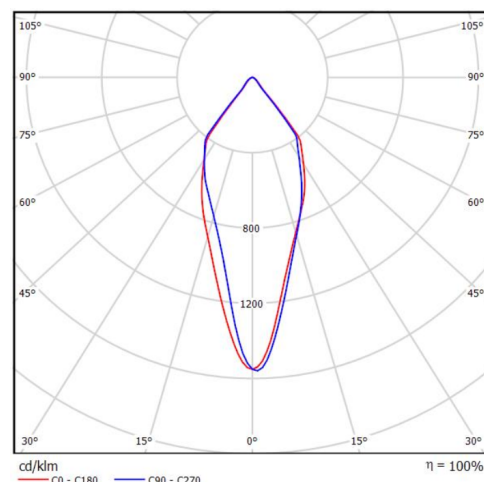
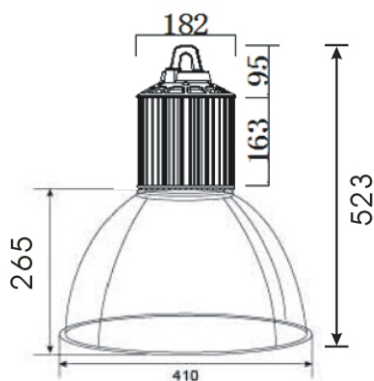
POWER CONSUMPTION	36W/60W/80W
SUPPLY VOLTAGE	220-240 V AC 50-60Hz
CRI	80+
COLORS	3000K/4000K/5000K, 6000K
CONTROL	On/Off, 0-10V, Dali
LUMENS	105lm/W

PHILIPS, EPISTAR, NICHIA, SAMSUNG, LUMILEDS, OSRAM
LED Quality

220-240V AC
Working Voltage

36W/60W/80W
Rated power

DIMENSIONS



ORDERING LOGIC

PRODUCT	WATTAGE	BEAM ANGLE	COLOR TEMPERATURE	INPUT VOLTAGE	FINISH	CONTROL
CSA-A	36 - 36W	45 - 45°	(CT 30) 3000K	AC - 220-240V AC	BK - Black	SW - On/Off
	60 - 60W	60 - 60°	(CT 40) 4000K		GR - Grey	AN - 1-10V
	80 - 80W	(CT 50) 5000K	XX - Custom		DA - DALI	
		(CT 60) 6000K				
		(CTXX) CUSTOM				

Sample: CSA-A - 36 - 45 - CT30 - AC - BK - SW