

# BURROW MINI-ROUND WALL LIGHT

## BRW-MN-R-WL

**Mono** IP65 IK06

YYZ Burrow mini wall light uses COB high performance LED Chips to deliver glare free illumination to the floor. Tempered glass diffuser optic aids in wide distribution of light with in-built driver facilitating easy installation. Option of remote mounted driver available on request. Application areas include indoor / outdoor landscapes etc.



### FEATURES

HOUSING	Die-cast aluminum
FINISH	Grey, Silver, Black
RATED POWER	2W , 4W
WORKING VOLTAGE	12V DC, 24V DC, 240V AC
MOUNTING	Wall recessed
LAMP LIFE	L80 B50, 50, 000hrs
DIMENSIONS	Ø95x100mm
OPERATION TEMP	-30° C - +50° C
DIFFUSER	Clear tempered glass

LUMILEDS/OSRAM  
LED Quality

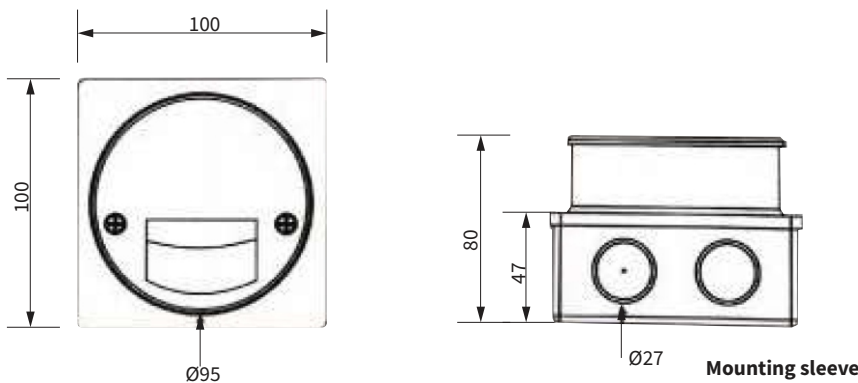
12V DC, 24V DC, 240V AC  
Working Voltage

2W/4W  
Rated power

### ELECTRICAL DATA

RATED POWER	2W , 4W
COLORS	3000K, 4000K
CRI	80
LUMEN OUTPUT	35lm/W
SDCM	SDCM3

### DIMENSION

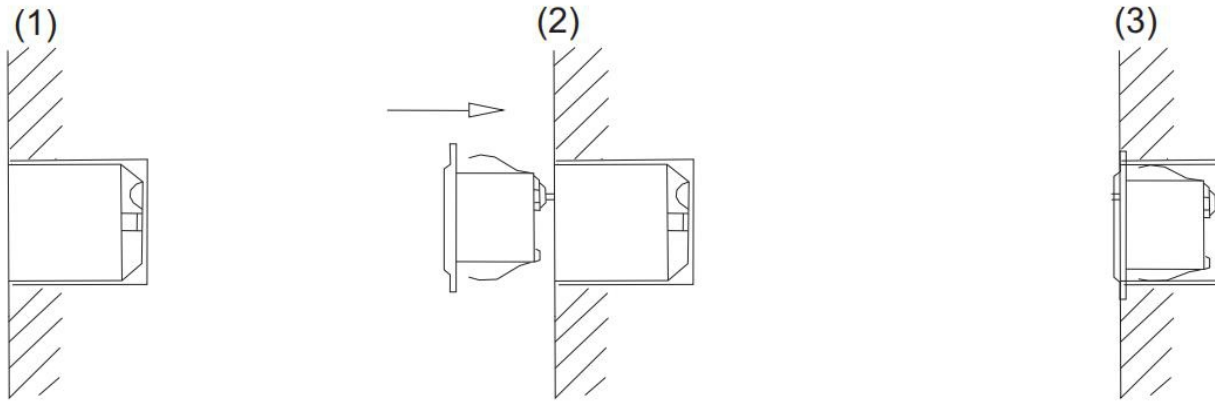


### ORDERING LOGIC

PRODUCT	WATTAGE	COLOR TEMPERATURE	CONTROL	FINISH
BRW-MN-R-WL	2 - 2W	(CT30) 3000K	ND - Non Dimmable	GR - Grey
	4 - 4W	(CT40) 4000K		SL - Silver
		(CTX) Custom		BK - Black

Sample: BRW-MN-R-WL - 2 - CT30 - ND - GR

### INSTALLATION INSTRUCTION



1. Suitable sized holes shall be drilled at the mounting location of the fixture, The back box shall be mounted as shown above using the mortar, such that the edge of the box is flush with the wall as indicated.
2. Connect the Luminaire cable to the power provision, leaving sufficient length of cable for future maintenance.
3. Secure the luminaire to the back box and energise.