

# FRONTIER INGROUND LIGHT

## FTR

**Mono** IP67/ IP68 IK10

YYZ Frontier inground lights feature robust construction with body in heavy duty die-cast aluminium and 304/316 marine grade stainless steel frame. High performance adjustable optics with UV resistant antiglare tempered glass lens diffuser render precise beam of light suited for wide range of facade and landscape applications.



### FEATURES

MATERIAL	Die cast aluminum body with stainless steel frame
RATED POWER	6W, 7W
WORKING VOLTAGE	100-277V AC
BEAM ANGLE	9° / 12°/24°/45°/15°x30°
MOUNTING	Floor recessed
LAMP LIFE	L90, B10, 65, 000 hrs
DIMENSIONS	Ø148x115mm
OPERATION TEMP	-20° C - +50° C
CONTROL	Dali, On-Off, 1-10V
SDCM	SDCM3, SDCM2 (On request)
DRIVER OVER	4000kg@20km/hr

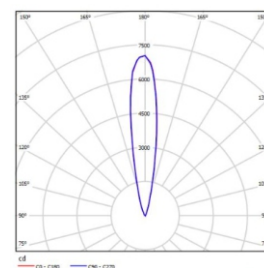
CREE/OSRAM/LUMILEDS/BRIDGELUX  
LED Quality

100-277V AC  
Working Voltage

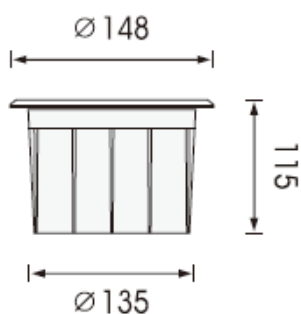
6W/7W  
Rated power

### ELECTRICAL DATA

POWER CONSUMPTION	6W, 7W
SUPPLY VOLTAGE	100-277V AC
COLORS	2700K, 3000K, 4000K, 5000K
CRI	80+
LUMEN	90-95lm



### DIMENSION



### ACCESSORIES



### ORDERING LOGIC

PRODUCT	WATTAGE	COLOR TEMPERATURE	VOLTAGE	BEAM ANGLE	IP RATE	FINISH	ACCESSORIES	CUSTOM
FTR	6 - 6W	(CT27)	AC -100- 277V AC	9° - 9°	67 - IP67	SS - Stainless Steel	RB - Recessed Box	XX - XX
		(CT30)		12° - 12°				
	(CT40)	24° - 24°						
	(CT50)	45° - 45°						
		15x30 - 15°x30°						
	7 - 7W				68 - IP68		CN - IP 68 Connector	
							SC - Square cover	

Sample: FTR - 6 - CT27 - AC - 12 - 67 - SS - RB - XX