

HB-MD



The multipurpose HB Mod series can withstand very high temperatures. Its standard operating temperatures are between -30° to 60° / -22° to 140°F. It also has a high temperature option that increases its operating temperature range to -30 to 80°C / -22° to 176°F

HB Mod has a lumen output of 140 lumens per Watt.

FEATURES

HB Mod boasts a versatile modular design with several optical lens choices. Easy installation and maintenance makes this IP66 rated fixture your number one choice for premium applications. Multiple accessories are available for a more application flexible.

The standard length of the cord is 0.3m/1ft.

OPERATING VOLTAGES	120-277V (UNV) and 277-480V (HV)
OPERATING TEMPERATURE	-30°C to 60°C / -22°F to 140°F
LAMP LIFE	L70 > 100,000 hrs
COLORS	3000K, 3500K, 4000K, 5000K
STANDARD SURGE PROTECTION:	12kV
STORING TEMPERATURE:	-40 to 80°C (-40 to 176°F)
HIGH TEMPERATURE OPTION:	-30 to 80°C / -22 to 176°F
HUMIDITY:	15% to 95% RH
EPA:	Horizontal: 0.58ft ² 45°: 100W: 0.76ft ² ; 150W 0.99ft ² ; 200W: 1.22ft ² ; 300W: 1.68ft ² ; 450W: 2.37ft ²

ELECTRICAL DATA

AVAILABLE WATTAGES	100W / 150W / 200W / 300W / 450W
RATED POWER	>0.95
CRI	80+ / 90+

MOUNTING OPTIONS

- Available in:
- Yoke mounting YK (single yoke for 100W-200W and double yoke for 300W-450W)
 - Long arm LA
 - Short arm SA
 - Surface mount CM
 - Eye-bolt EB
 - Long slip fitter LS (300W-450W only)
 - Short slip fitter SS (300W-450W only)



- Osram/Philips Lumileds**
LED Quality
- 120-277V (UNV) / 277-480V (HV)**
Operating Voltage
- 100W / 150W / 200W / 300W / 450W**
Rated Power

HB-MD-100W

PRODUCT INFORMATION (100W)

INSTALLATION	Yoke (Standard), (100W-200W Single) (300W-450W Double), Long or Short Arm, Surface Mount, Eye-Bolt and Long or Short Slip Fitter (300W-450w only)
MATERIAL	Aluminum alloy
FINISH	Powder coat
SYSTEM POWER (W)	100W
FIXTURE LUMEN OUTPUT (lm)	13,000
SYSTEM EFFICIENCY (lm/W)	130
LAMP LIFE	L70 > 100,000 hrs
LED ENGINE	Osram/Philip Lumileds



PACKAGING

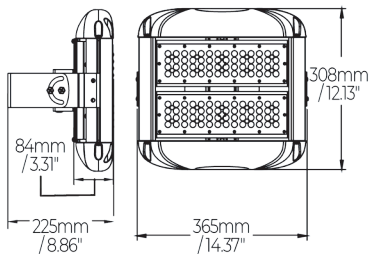
NEW WEIGHT LAMP (kg/lb)	8.2 / 18.08
GROSS WEIGHT CARTON (kg/lb)	9.2 / 20.28
MASTER CARTON DIMENSIONS (mm/in)	440 x 440 x 260 / 17.32 x 17.32 x 10.23
QUANTITY PER CARTON	1

ORDERING LOGIC

PRODUCT SERIES	TYPE	VOLTAGE	POWER	CRI	COLOR TEMPERATURE	DIMMING	BEAM ANGLES	FINISH	MOUNTING	ACCESSORIES
HB	MD - MOD	UNV - 120-277V HV - 277-480V	100W-100 WATTS	80 - 80+ 90 - 90+	(CT 30) 3000K (CT 35) 3500K (CT 40) 4000K (CT 50) 5000K	ND - Non Dim	70x135D - 70x135° (Standard) 30D - 30° 90D - 90° 110D - 110° 150D - 150° 30x100D - 30x100° 60x100D - 60x100° 60x150D - 60x150° 70x130D - 70x130° 73x133D - 73x133° 75x145D - 75x145°	SL - SILVER	YK - Yoke (Single 100W-200W) LA - Long Arm (Double 300W-450W) SA - Short Arm CM - Surface Mount EB - Eye-Bolt LS - Long Slip Fitter (300W-450W only) SS - Short Slip Fitter (300W-450W only)	HT - 30° to 80°C / -22° to 176°F NPT1 - 1 NPT Pendant NPT2 - 2 NPT Pendant AC - Aircraft Cable (2m) OS - Occupancy Sensor

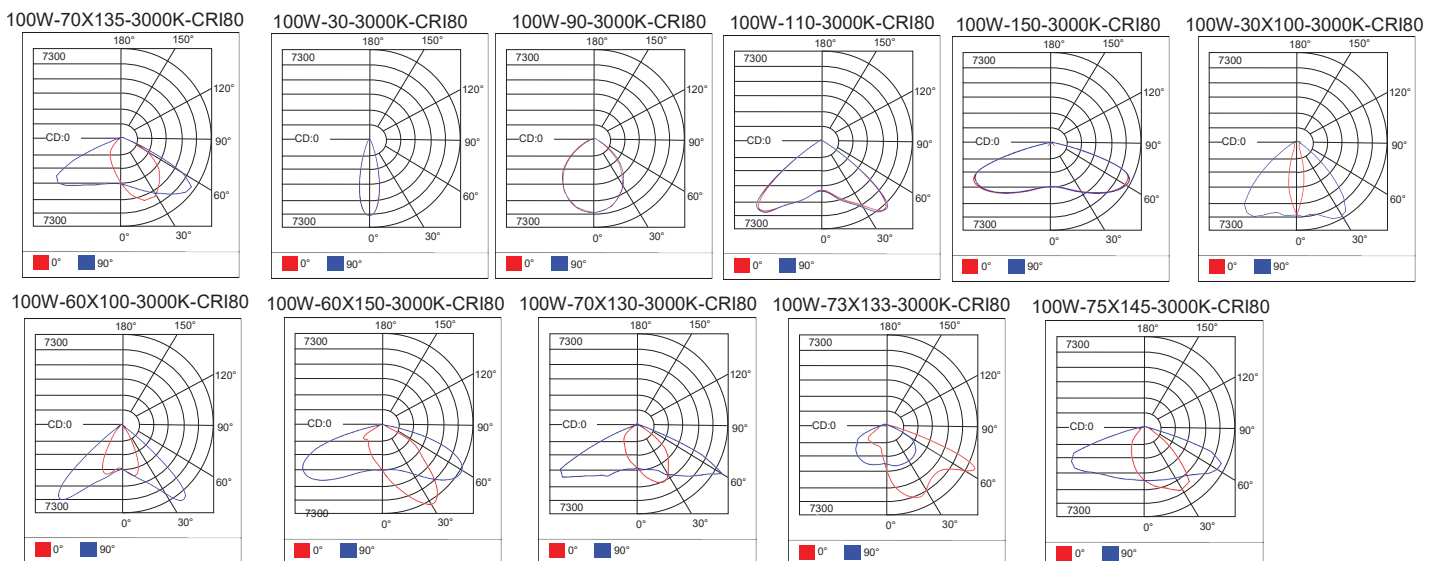
Sample: HB-MD-UNV-100W-80-CT30-ND-70x135D-SL-YK-HT

DIMENSIONS



DIAGRAM

Standard



HB-MD-150W

PRODUCT INFORMATION (150W)

INSTALLATION	Yoke (Standard), (100W-200W Single) (300W-450W Double), Long or Short Arm, Surface Mount, Eye-Bolt and Long or Short Slip Fitter (300W-450w only)
MATERIAL	Aluminum alloy
FINISH	Powder coat
SYSTEM POWER (W)	150W
FIXTURE LUMEN OUTPUT (lm)	19,500
SYSTEM EFFICIENCY (lm/W)	130
LAMP LIFE	L70 > 100,000 hrs
LED ENGINE	Osram/Philip Lumileds



PACKAGING

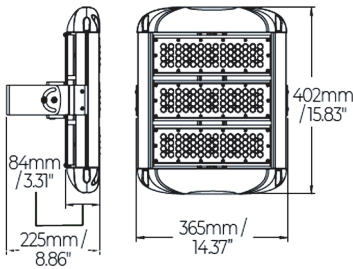
NEW WEIGHT LAMP (kg/lb)	9.3 / 20.50
GROSS WEIGHT CARTON (kg/lb)	11 / 24.25
MASTER CARTON DIMENSIONS (mm/in)	440 x 440 x 260 / 17.32 x 17.32 x 10.23
QUANTITY PER CARTON	1

ORDERING LOGIC

PRODUCT SERIES	TYPE	VOLTAGE	POWER	CRI	COLOR TEMPERATURE		DIMMING	BEAM ANGLES	FINISH	MOUNTING	ACCESSORIES
HB	MD - MOD	UNV - 120-277V HV - 277-480V	150W-150 WATTS	80 - 80+ 90 - 90+	(CT 30) 3000K (CT 35) 3500K (CT 40) 4000K (CT 50) 5000K		ND - Non Dim	70x135D - 70x135° (Standard) 30D - 30° 90D - 90° 110D - 110° 150D - 150° 30x100D - 30x100° 60x100D - 60x100° 60x150D - 60x150° 70x130D - 70x130° 73x133D - 73x133° 75x145D - 75x145°	SL - SILVER	YK - Yoke (Single 100W-200W) LA - Long Arm (Double 300W-450W) SA - Short Arm CM - Surface Mount EB - Eye-Bolt LS - Long Slip Fitter (300W-450W only) SS - Short Slip Fitter (100W-200W only)	HT - 30° to 80°C / -22° to 176°F NPT1 - 1 NPT Pendant NPT2 - 2 NPT Pendant AC - Aircraft Cable (2m) OS - Occupancy Sensor

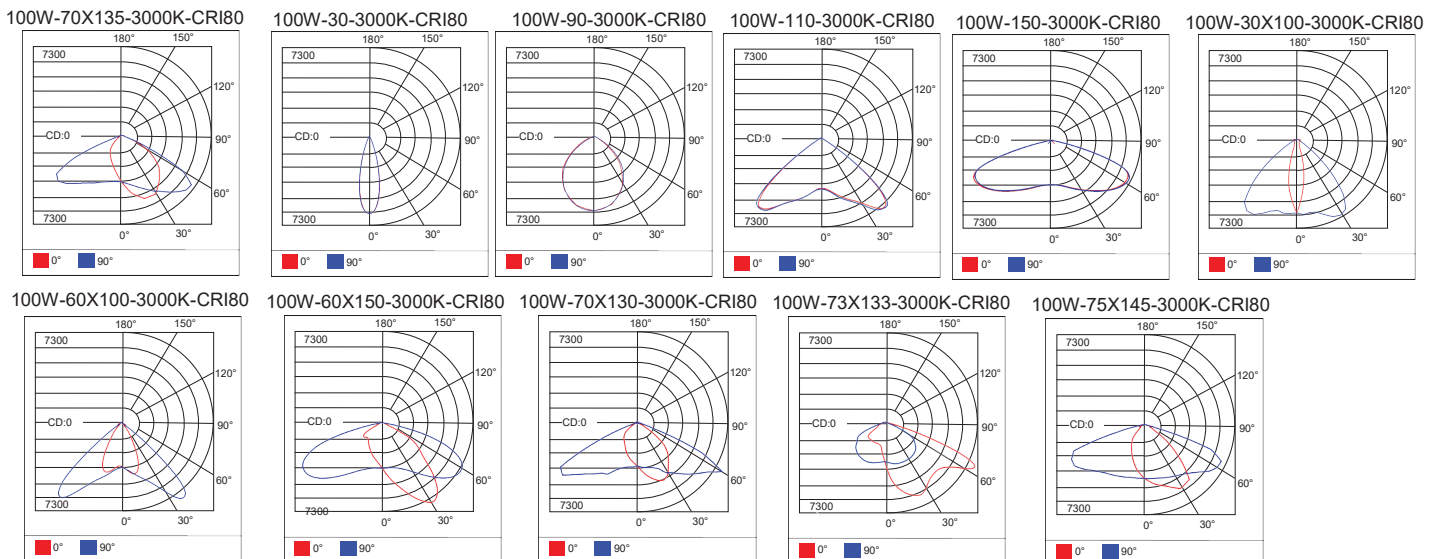
Sample: HB-MD-UNV-150W-80-CT30-ND-70x135D-SL-YK-HT

DIMENSIONS



DIAGRAM

Standard



HB-MD-200W

PRODUCT INFORMATION (200W)

INSTALLATION	Yoke (Standard), (100W-200W Single) (300W-450W Double), Long or Short Arm, Surface Mount, Eye-Bolt and Long or Short Slip Fitter (300W-450w only)
MATERIAL	Aluminum alloy
FINISH	Powder coat
SYSTEM POWER (W)	200W
FIXTURE LUMEN OUTPUT (lm)	26,000
SYSTEM EFFICIENCY (lm/W)	130
LAMP LIFE	L70 > 100,000 hrs
LED ENGINE	Osram/Philip Lumileds



PACKAGING

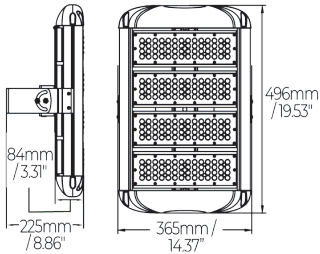
NEW WEIGHT LAMP (kg/lb)	10.7 / 23.58
GROSS WEIGHT CARTON (kg/lb)	13 / 28.66
MASTER CARTON DIMENSIONS (mm/in)	650 x 440 x 260 / 25.59 x 17.32 x 10.23
QUANTITY PER CARTON	1

ORDERING LOGIC

PRODUCT SERIES	TYPE	VOLTAGE	POWER	CRI	COLOR TEMPERATURE		DIMMING	BEAM ANGLES	FINISH	MOUNTING	ACCESSORIES
HB	MD - MOD	UNV - 120-277V HV - 277-480V	200W-200 WATTS	80 - 80+ 90 - 90+	(CT 30) 3000K (CT 35) 3500K (CT 40) 4000K (CT 50) 5000K		ND - Non Dim	70x135D - 70x135° (Standard) 30D - 30° 90D - 90° 110D - 110° 150D - 150° 30x100D - 30x100° 60x100D - 60x100° 60x150D - 60x150° 70x130D - 70x130° 73x133D - 73x133° 75x145D - 75x145°	SL - SILVER	YK - Yoke (Single 100W-200W) LA - Long Arm (Double 300W-450W) SA - Short Arm CM - Surface Mount EB - Eye-Bolt LS - Long Slip Fitter (300W-450W only) SS - Short Slip Fitter (300W-450W only)	HT - 30° to 80°C / -22° to 176°F NPT1 - 1 NPT Pendant NPT2 - 2 NPT Pendant AC - Aircraft Cable (2m) OS - Occupancy Sensor

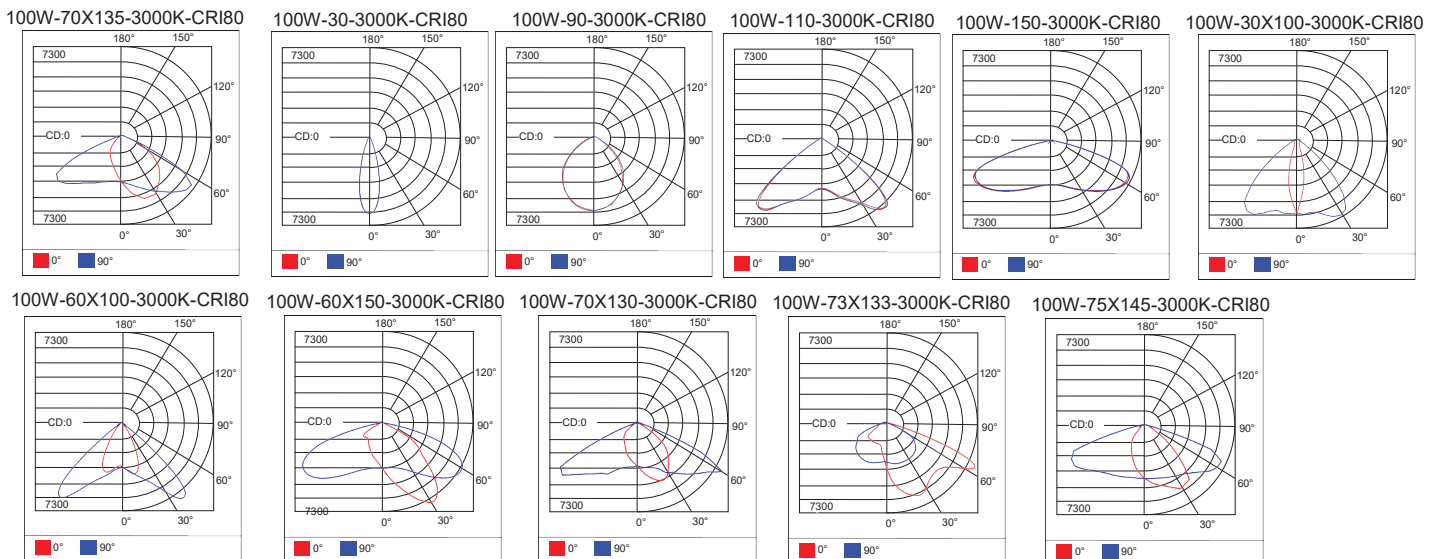
Sample: HB-MD-UNV-200W-80-CT30-ND-70x135D-SL-YK-HT

DIMENSIONS



DIAGRAM

Standard



HB-MD-300W

PRODUCT INFORMATION (300W)

INSTALLATION	Yoke (Standard), (100W-200W Single) (300W-450W Double), Long or Short Arm, Surface Mount, Eye-Bolt and Long or Short Slip Fitter (300W-450w only)
MATERIAL	Aluminum alloy
FINISH	Powder coat
SYSTEM POWER (W)	300W
FIXTURE LUMEN OUTPUT (lm)	39,000
SYSTEM EFFICIENCY (lm/W)	130
LAMP LIFE	L70 > 100,000 hrs
LED ENGINE	Osram/Philip Lumileds



PACKAGING

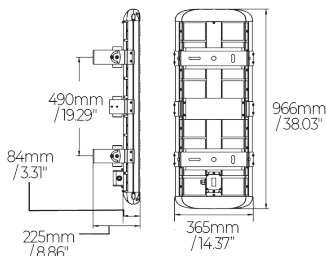
NEW WEIGHT LAMP (kg/lb)	17 / 37.48
GROSS WEIGHT CARTON (kg/lb)	20 / 44.09
MASTER CARTON DIMENSIONS (mm/in)	770 x 440 x 260 / 30.31 x 17.32 x 10.23
QUANTITY PER CARTON	1

ORDERING LOGIC

PRODUCT SERIES	TYPE	VOLTAGE	POWER	CRI	COLOR TEMPERATURE		DIMMING	BEAM ANGLES	FINISH	MOUNTING	ACCESSORIES
HB	MD - MOD	UNV - 120-277V HV - 277-480V	300W-300 WATTS	80 - 80+ 90 - 90+	(CT 30) 3000K (CT 35) 3500K (CT 40) 4000K (CT 50) 5000K		ND - Non Dim	70x135D - 70x135° (Standard) 30D - 30° 90D - 90° 110D - 110° 150D - 150° 30x100D - 30x100° 60x100D - 60x100° 60x150D - 60x150° 70x130D - 70x130° 73x133D - 73x133° 75x145D - 75x145°	SL - SILVER	YK - Yoke (Single 100W-200W) LA - Yoke (Double 300W-450W) Long Arm SA - Short Arm CM - Surface Mount EB - Eye-Bolt LS - Long Slip Fitter (300W-450W only) SS - Short Slip Fitter (300W-450W only)	HT - 30° to 80°C / -22° to 176°F NPT1 - 1 NPT Pendant NPT2 - 2 NPT Pendant AC - Aircraft Cable (2m) OS - Occupancy Sensor

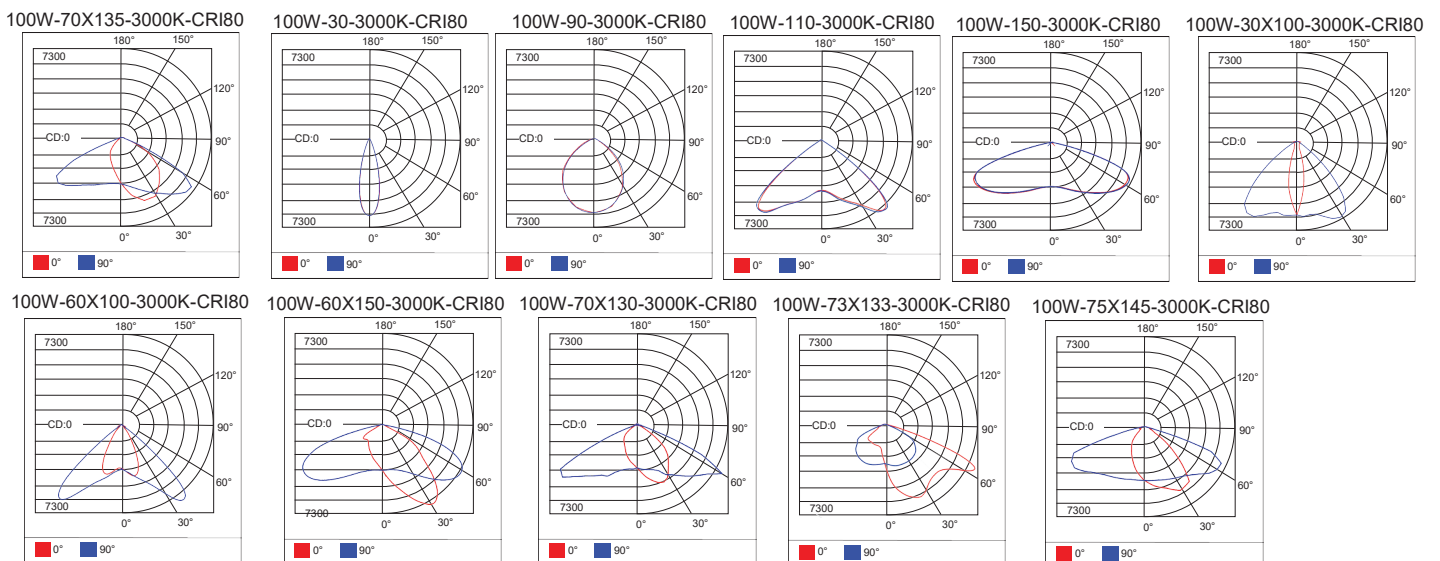
Sample: HB-MD-UNV-300W-80-CT30-ND-70x135D-SL-YK-HT

DIMENSIONS



DIAGRAM

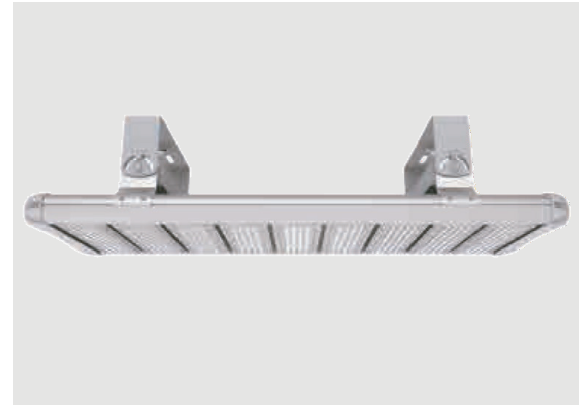
Standard



HB-MD-450W

PRODUCT INFORMATION (450W)

INSTALLATION	Yoke (Standard), (100W-200W Single) (300W-450W Double), Long or Short Arm, Surface Mount, Eye-Bolt and Long or Short Slip Fitter (300W-450w only)
MATERIAL	Aluminum alloy
FINISH	Powder coat
SYSTEM POWER (W)	450W
FIXTURE LUMEN OUTPUT (lm)	58,500
SYSTEM EFFICIENCY (lm/W)	130
LAMP LIFE	L70 > 100,000 hrs
LED ENGINE	Osram/Philip Lumileds



PACKAGING

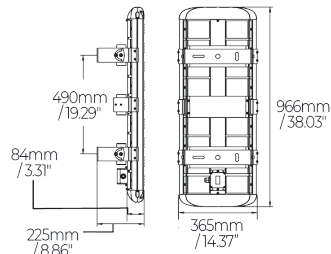
NEW WEIGHT LAMP (kg/lb)	26 / 57.32
GROSS WEIGHT CARTON (kg/lb)	28 / 61.73
MASTER CARTON DIMENSIONS (mm/in)	770 x 440 x 260 / 30.31 x 17.32 x 10.23
QUANTITY PER CARTON	1

ORDERING LOGIC

PRODUCT SERIES	TYPE	VOLTAGE	POWER	CRI	COLOR TEMPERATURE	DIMMING	BEAM ANGLES	FINISH	MOUNTING	ACCESSORIES
HB	MD - MOD	UNV - 120-277V HV - 277-480V	450W - 450 WATTS	80 - 80+ 90 - 90+	(CT 30) 3000K (CT 35) 3500K (CT 40) 4000K (CT 50) 5000K	ND - Non Dim	70x135D - 70x135° (Standard) 30D - 30° 90D - 90° 110D - 110° 150D - 150° 30x100D - 30x100° 60x100D - 60x100° 60x150D - 60x150° 70x130D - 70x130° 73x133D - 73x133° 75x145D - 75x145°	SL - SILVER	YK - Yoke (Single 100W-200W) LA - Long Arm (Double 300W-450W) SA - Short Arm CM - Surface Mount EB - Eye-Bolt LS - Long Slip Fitter (300W-450W only) SS - Short Slip Fitter (100W-200W only)	HT - 30° to 80°C / -22° to 176°F NPT1 - 1 NPT Pendant NPT2 - 2 NPT Pendant AC - Aircraft Cable (2m) OS - Occupancy Sensor

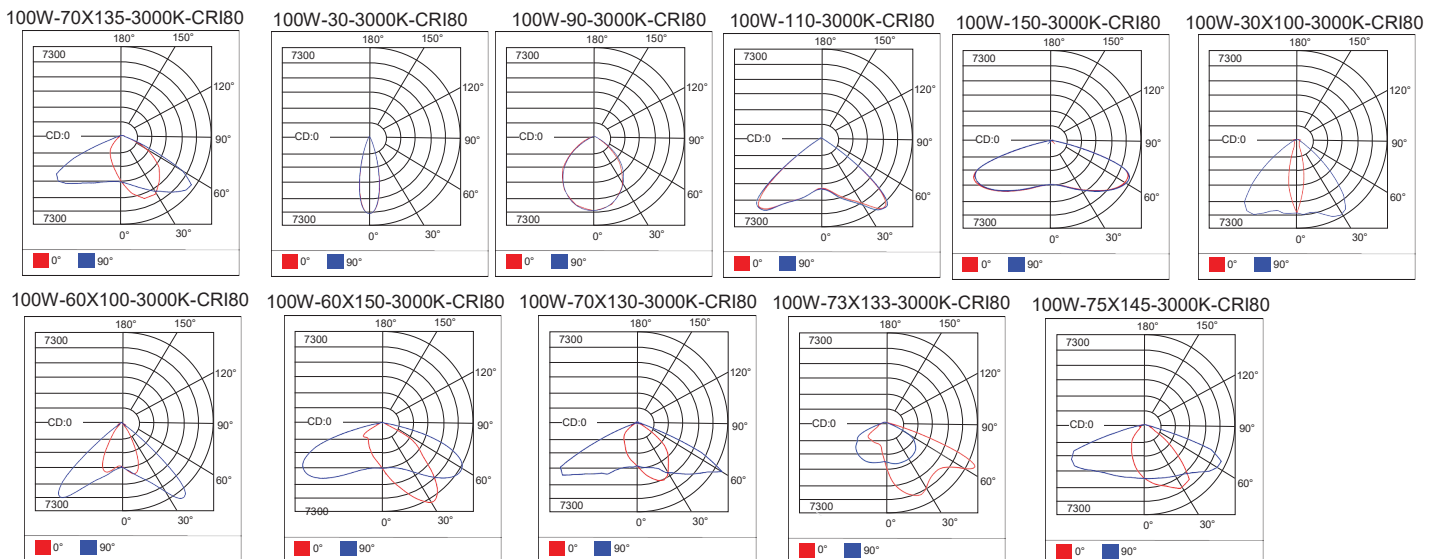
Sample: HB-MD-UNV-450W-80-CT30-ND-70x135D-SL-YK-HT

DIMENSIONS



DIAGRAM

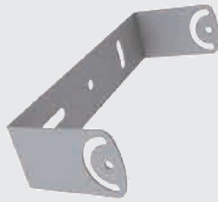
Standard



MOUNTING OPTIONS



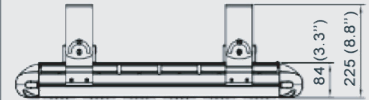
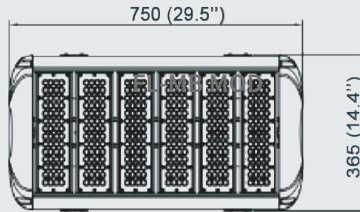
Yoke - Standard
Single Yoke 100W-200W
Double Yoke 300W-450W



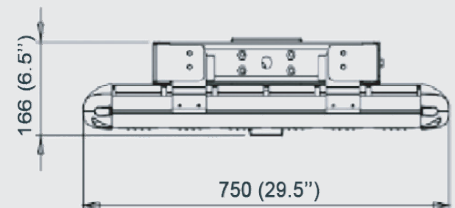
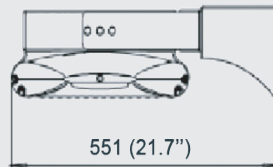
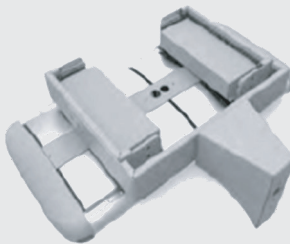
Eye-Bolt



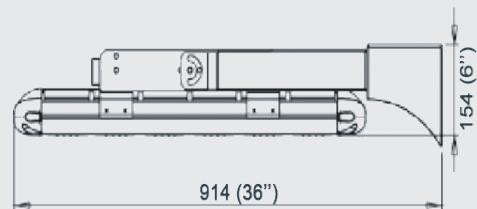
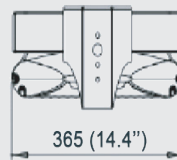
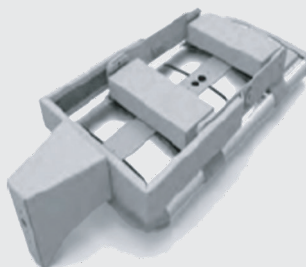
Universal Bracket (Double Yoke) Long Axial Mount - Standard
300W-450W



Short Arm U-Bracket, Short Axial Mount + Horizontal Arm

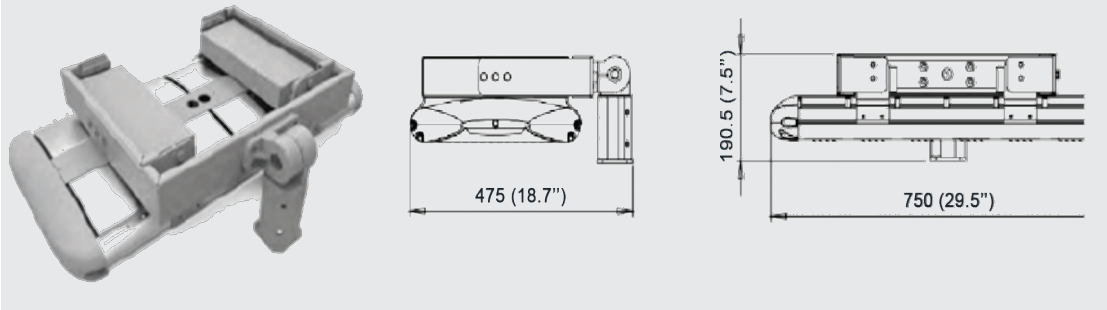


Long Axial Mount + Horizontal Arm

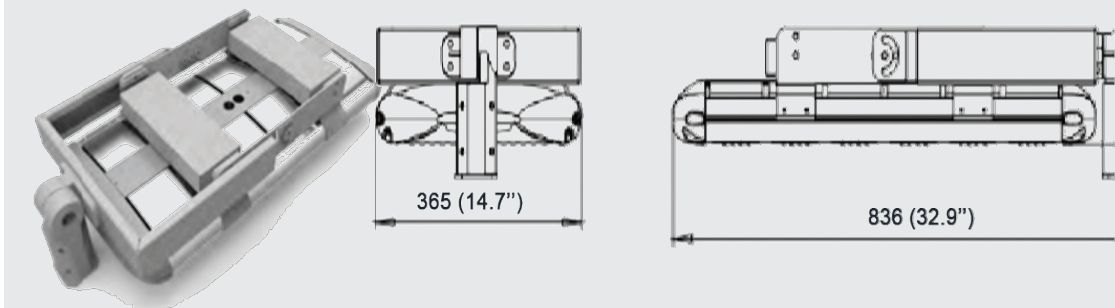


MOUNTING OPTIONS

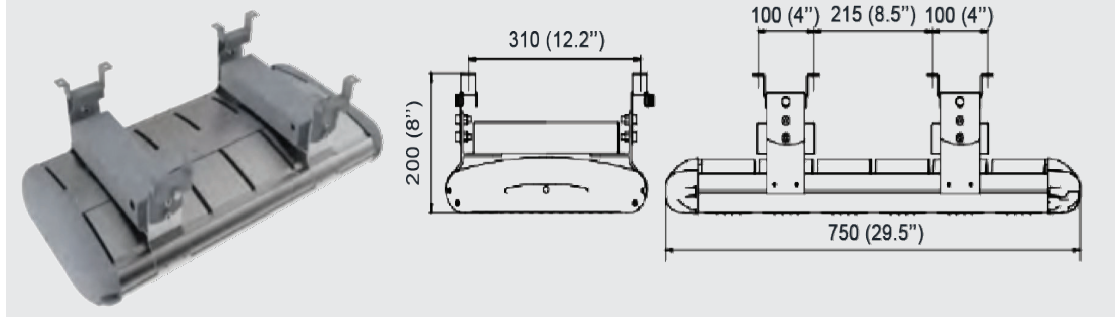
Short Arm U-Bracket, Short Axial Mount + Slip Fitter



Long Axial Mount + Slip Fitter



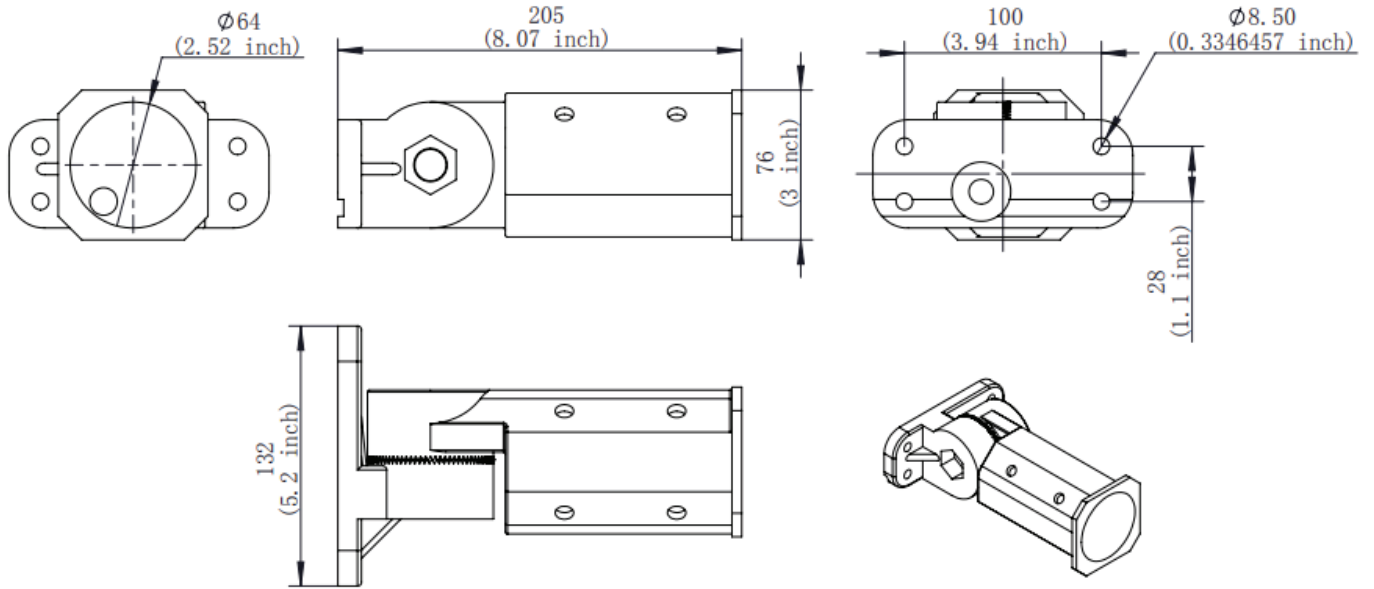
Surface Mount Bracket (100W-450W)



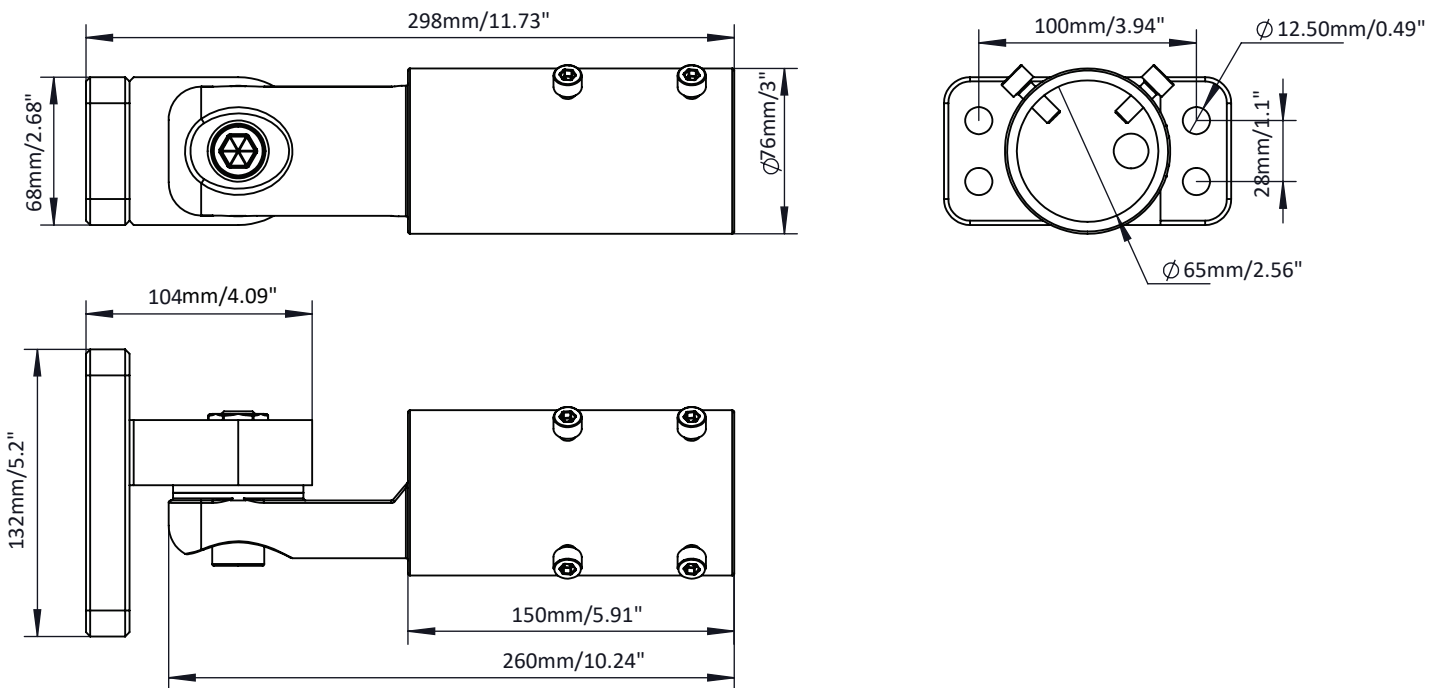
HB-MD

SLIP FITTER DIMENSIONS

100-300W

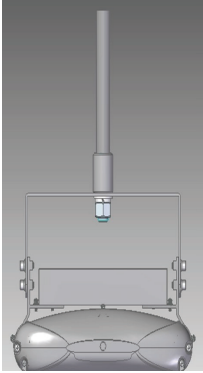


400W

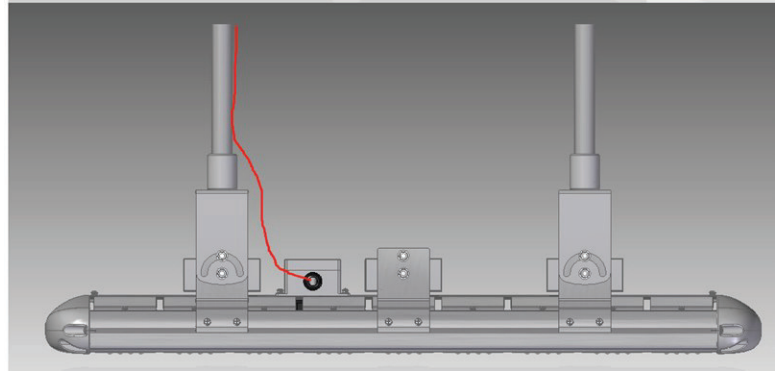


HB-MD

ACCESSORIES



endant



2 NPT Pendant