

IGLOO TRACK LIGHT

IGL



YYZ Igloo Track light houses driver unit to the track adapter allowing better thermal performance and light output. Options of various optics with clear lens, mounted on a 1-circuit, 3-circuit adapter. The aluminium housing facilitates efficient performance and is flexible to rotate to 355° and can be tilted to 90°.



FEATURES

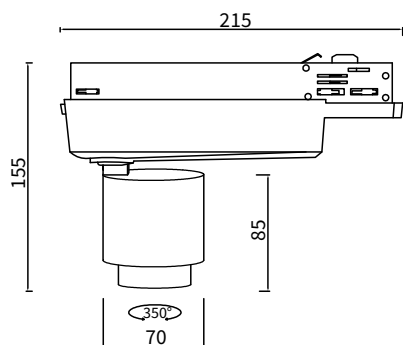
MATERIAL	Aluminum
FINISH	White, Black
WORKING VOLTAGE	220-240V 50/60Hz
RATED POWER	5W, 10W
RADIANCE ANGLE	15°, 24°, 36°, 60
LAMP LIFE	50,000 hrs
MOUNTING	Track mounted
CONNECTION	Indoor rated connections
DIMENSIONS	Ø70 x 85mm
OPERATION TEMP	-20° C - +55° C
CONTROL	On/Off, Dali
MacAdam	3SDCM, 2SDCM

- CREE LED Quality
- 240 VOLTS Working Voltage
- 5W /10W Rated power

ELECTRICAL DATA

POWER CONSUMPTION	5W, 10W
SUPPLY VOLTAGE	220-240VAC
COLORS	3000K, 4000K, 5000K, 6500K
CRI	90
LUMEN	100lm/W

DIMENSIONS



ORDERING LOGIC

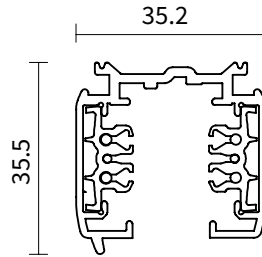
PRODUCT	WATTAGE	BEAM ANGLE	COLOR TEMPERATURE	VOLTAGE	FINISH
IGL	5 - 5W	15 - 15°	(CT30) 3000K	240VAC	WH - White
		24 - 24°	(CT40) 4000K		BK - Black
	36 - 36°	(CT50) 5000K			
	60 - 60°	(CT65) 6500K			

Sample: IGL - 5 - 15 - CT 30 - 240 - WH

IP20

FEATURES

LENGTH	1m, 2m, 3m, 4m
CIRCUIT	1, 3
FINISH	White, Silver, Black
MAIN MATERIALS	Copper+Aluminum



TRACK CONNECTORS



ADAPTOR



ADJUSTABLE L CONNECTOR



DALI STRAIGHT CONNECTOR



FLEXIBLE CONNECTOR



L CONNECTOR LEFT



L CONNECTOR



LIVE END



MINI JOINER



+ CONNECTOR



T CONNECTOR



END CAP



SUSPENDED CABLE

TRACK SYSTEM

