

MINI DOWNLIGHT

MNI 34A

Mono IP44 CE

YYZ Mini recessed fixed LED downlight, with aluminum body in White powder-coated, excellent aluminum heat sink, with black anti-glare optical reflector.



FEATURES

| | |
|-----------------|----------------------------|
| FINISH | White+Black |
| WORKING VOLTAGE | 220-240V 50/60Hz |
| RATED POWER | 3-5W |
| RADIANCE ANGLE | 15°, 23°, 36° |
| LAMP LIFE | 50,000 Hrs |
| MOUNTING | Ceiling recessed |
| CONNECTION | Indoor rated connections |
| DIMENSIONS | Ø34 x 80mm (cutout Ø30mm) |
| OPERATION TEMP | -20° C - +50° C |
| CONTROL | On/Off, 1-10V, Dali, Triac |

CREE
LED Quality

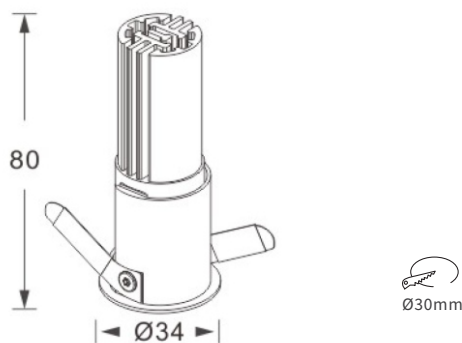
240 VOLTS
Working Voltage

3-5W
Rated power

ELECTRICAL DATA

| | |
|-------------------|-----------------------------------|
| POWER CONSUMPTION | 3-5W |
| SUPPLY VOLTAGE | 220-240VAC |
| COLORS | 2700K, 3000K, 3500K, 4000K, 5000K |
| CRI | 90 |

DIMENSIONS



ORDERING LOGIC

| PRODUCT | WATTAGE | COLOR TEMPERATURE | CONTROL | VOLTAGE | BEAM ANGLE | FINISH | CUSTOM | |
|---------|------------|-------------------|---------|---------|------------|----------|--------------------------|-------------|
| MNI 34A | 3-5 - 3-5W | (CT27) | 2700K | ON/OFF | 240VAC | 15 - 15° | WH - White BK - Black | XX - Custom |
| | | (CT30) | 3000K | DALI | | 23 - 23° | | |
| | | (CT35) | 3500K | 1-10V | | 36 - 36° | | |
| | | (CT40) | 4000K | TRIAC | | | | |
| | | (CT50) | 5000K | | | | | |

Sample: MNI 34A - 3-5 - CT27 - ON/OFF - 240 - 15 - WH - XX