

# APERTURE-50-SUSPENDED / SURFACE APR50-SS

**Mono** IP20 CE

YYZ Aperture 50 is a suspended or surface mounting light made of extruded architectural grade T6063 aluminum. It is equipped with high power LED light source and optical lens with a wide range of color temperature which provide superior color consistency and high CRI. This linear LED luminaire is designed to produce a uniform distribution of diffused light and is suitable for ceiling and wall.

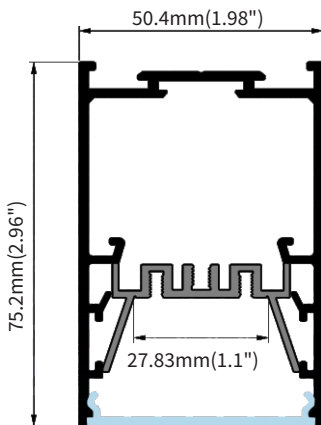
## FEATURES

HOUSING	Extruded architectural grade T6063 aluminium
BEAM ANGLE	120°
MOUNTING	Suspended, surface mounting
DIFFUSER	PMMA frosted, Black, Drop diffuser
DIMENSIONS	50(W)x75(H)mm
OPERATION TEMP	-20° C - +50° C
LAMP LIFE	50,000 hrs
AVAILABLE LENGTH	1200mm, Custom
CONTROL	On/Off, Dali, 1-10V
LUMEN	150lm/W Source
CRI	80+

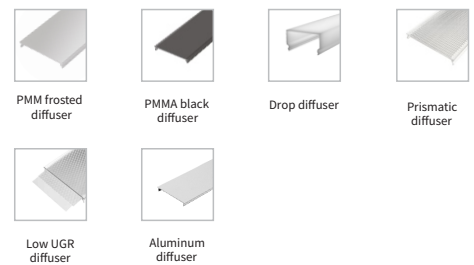


- TRIDONIC LED Quality
- 24-32V DC PCB Working Voltage
- 18W/m, 24W/m, 39W/m Rated power

## DIMENSION



### Diffuser options:



### Accessories



## ORDERING LOGIC

PRODUCT	WATTAGE	COLOR TEMPERATURE	DRIVER	FIXTURE LENGTH	FINISH	DIFFUSER	ACCESSORIES	
APR50-SS	18 - 18W/m	(CT30)	3000K	SW - ON-OFF	120 - 1200mm	SL - Silver	PF - PMMA Frosted	AE - Aluminium endcap
	24 - 24W/m	(CT40)	4000K	AN - 1-10V	XX - Custom	BK - Black	PB - PMMA Black	SC - Surfacemount clip
	39 - 39W/m	(CT65)	6500K	DA - DALI		WH - White	DD - Drop diffuser	SK - Suspension kit
						PD - Prismatic diffuser		
						LD - Low UGR diffuser		
						AD - Aluminum diffuser		

Sample: APR50-SS -18 - CT30 -SW - 120 - SL - PF -AE