

APERTURE-50-TRIM

APR50-TR

Mono IP20

YYZ Aperture 50 is a ceiling, wall recessed mounting light made of extruded architectural grade T6063 aluminum. It is equipped with high power LED light source and optical lens with a wide range of color temperature which provide superior color consistency and high CRI. This linear LED luminaire is designed to produce a uniform distribution of diffused light and is suitable for ceiling and wall.

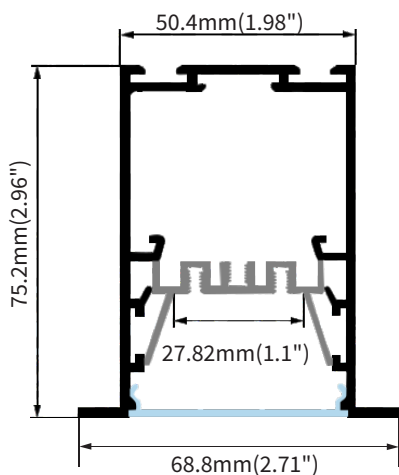
FEATURES

| | |
|------------------|--|
| HOUSING | Extruded architectural grade T6063 aluminium |
| BEAM ANGLE | 120° |
| MOUNTING | Ceiling recessed mounting |
| DIFFUSER | PMMA frosted, Black |
| DIMENSIONS | 68.8(W)x75(H)mm |
| OPERATION TEMP | -20° C - +50° C |
| LAMP LIFE | 50,000 hrs |
| AVAILABLE LENGTH | 1200mm or custom |
| CONTROL | On/Off, Dali, 1-10V |
| LUMEN | 150lm/W Source |
| CRI | 80+ |



- TRIDONIC LED Quality
- 24-32V DC PCB Working Voltage
- 18W/m, 24W/m, 39W/m Rated power

DIMENSION



Accessories



ORDERING LOGIC

| PRODUCT | WATTAGE | COLOR TEMPERATURE | DRIVER | FIXTURE LENGTH | FINISH | DIFFUSER | ACCESSORIES |
|----------|------------|-------------------|-------------------|----------------|-------------|-------------------|-----------------------|
| APR50-TR | 18 - 18W/m | (CT30) | 3000K SW - ON-OFF | 120 - 1200mm | SL - Silver | PF - PMMA Frosted | AE - Aluminium endcap |
| | 24 - 24W/m | (CT40) | 4000K AN - 1-10V | XX - Custom | BK - Black | PB - PMMA Black | BR - Bracket |
| | 39 - 39W/m | (CT65) | 6500K DA - DALI | | WH - White | | |

Sample: APR50-TR - 18 - CT30 - SW - 120 - SL - PF - AE