

## HB-ELT



HB-Elite is a CCT selectable and wattage selectable LED linear high bay featuring a super compact design with die-cast housing with powder coated paint. Standard 6KV surge protection provides steady performance, even under poor power conditions. Occupancy sensor, remote controller, and emergency battery backup options available. The HB-Elite is ideal for warehouse, storage, industrial facilities, sports facilities, gyms and more.

Available in 105/130/155W, 155/180/210W, or 240/270/310W models, with CCT selectable options for 4000K/5000K. High quality polycarbonate lens provides soft, even light to the environment.



**V** 120-347 VAC / 277-480 V (HV)  
Operating Voltage

**W** 105/130/155W | 155/180/210W | 240/270/310W  
Rated Power

## FEATURES

<b>OPERATING VOLTAGES</b>	120-347 VAC (CUNV) / 277-480V (HV)
<b>OPERATING TEMPERATURE</b>	-40°C to 50°C / -40°F to 122°F
<b>LAMP LIFE</b>	L70 > 75,000 hrs
<b>CONTROL</b>	0-10V Dimming, down to 10%
<b>COLORS</b>	CCT Selectable 4000K, 5000K
<b>WARRANTY</b>	DLC Premium, UL Listed, and CE with 6 year warranty

## ELECTRICAL DATA

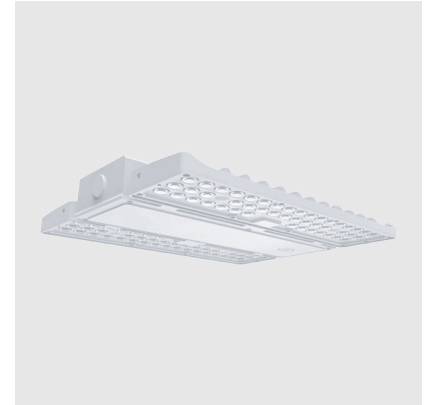
<b>AVAILABLE WATTAGES</b>	105/130/155W   155/180/210W   240/270/310W
<b>EFFICACY</b>	150 Lm / W
<b>RATED POWER</b>	>0.9
<b>CRI</b>	>80Ra
<b>STANDARD POWER CABLE</b>	40cm (15.75")
<b>SURGE PROTECTION</b>	6KV Surge Protection Standard

## HB-ELT-155W

### PRODUCT INFORMATION

155W (Selectable)

<b>INSTALLATION</b>	Suspended
<b>MATERIAL</b>	Die-cast Aluminum
<b>FINISH</b>	Powder Coat White
<b>SYSTEM POWER (W)</b>	105 / 130 / 155W
<b>FIXTURE LUMEN OUTPUT (lm)</b>	15750 / 19500 / 23250
<b>SYSTEM EFFICIENCY (lm/W)</b>	150
<b>LED DRIVER</b>	OEM Driver
<b>LED ENGINE</b>	SMD2835 LED



### PACKAGING

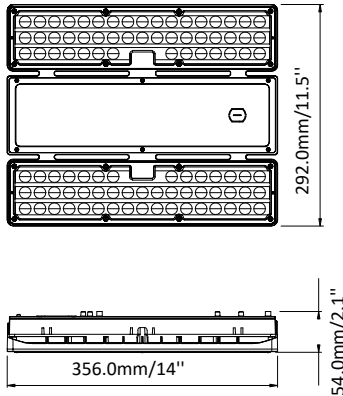
<b>NEW WEIGHT LAMP (kg/lb)</b>	2.5 / 5.5
<b>GROSS WEIGHT CARTON (kg/lb)</b>	5.4 / 11.9
<b>MASTER CARTON DIMENSIONS (mm/in)</b>	405x134x330 / 15.95x5.28x12.99
<b>QUANTITY PER CARTON</b>	2

### ORDERING LOGIC

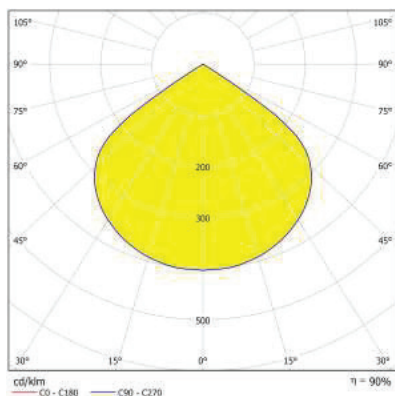
PRODUCT SERIES	TYPE	VOLTAGE	POWER	CRI	COLOR TEMPERATURE		DIMMING	BEAM ANGLES	SIZE	FINISH	MOUNTING	ACCESSORIES
HB	ELT	CUNV - 120-347V HV - 277-480V	155W-155 WATTS	80 - 80+	(CT 40)	4000K (Selectable)	DIM - 0-10V	105D - 105°	1F - 1 Foot (14")	WH - WHITE	SP - Suspended (Standard - 11V/3F cable) CM - Ceiling Mount PM - Pendant Mount	NA - No Accessories CON - Continuous Run Connector Kit OS - Occupancy Sensor RC - Remote Control (for Occupancy Sensor Only) EB1 - Emergency Battery (CUNV Only) WG1 - Wire Guard

Sample: HB-ELT-CUNV-155W-80-CT40-DIM-105D-1F-WH-SP-NA

### DIMENSIONS



### DIAGRAM



## HB-ELT-210W

### PRODUCT INFORMATION

210W (Selectable)

INSTALLATION	Suspended
MATERIAL	Die-cast Aluminum
FINISH	Powder Coat White
SYSTEM POWER (W)	155 / 180 / 210W
FIXTURE LUMEN OUTPUT (lm)	23250 / 27000 / 31500
SYSTEM EFFICIENCY (lm/W)	150
LED DRIVER	OEM Driver
LED ENGINE	SMD2835 LED



### PACKAGING

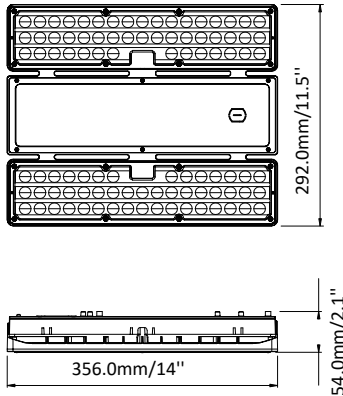
NEW WEIGHT LAMP (kg/lb)	2.5 / 5.5
GROSS WEIGHT CARTON (kg/lb)	5.4 / 11.9
MASTER CARTON DIMENSIONS (mm/in)	405x134x330 / 15.95x5.28x12.99
QUANTITY PER CARTON	2

### ORDERING LOGIC

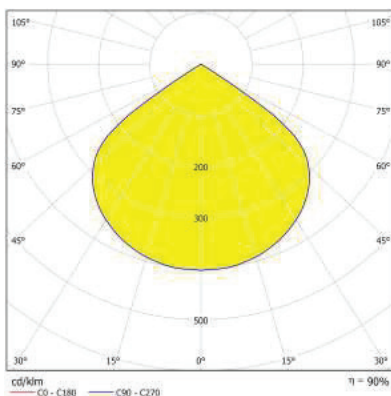
PRODUCT SERIES	TYPE	VOLTAGE	POWER	CRI	COLOR TEMPERATURE		DIMMING	BEAM ANGLES	SIZE	FINISH	MOUNTING	ACCESSORIES
HB	ELT	CUNV - 120-347V HV - 277-480V	210W-210 WATTS	80 - 80+	(CT 40) 4000K (Selectable)	(CT 50) 5000K (Selectable)	DIM - 0-10V	105D - 105°	1F - 1 Foot (14")	WH - WHITE	SP - Suspended (Standard - 11V/3F cable) CM - Ceiling Mount PM - Pendant Mount	NA - No Accessories CON - Continuous Run Connector Kit OS - Occupancy Sensor RC - Remote Control (for Occupancy Sensor Only) EB1 - Emergency Battery (CUNV Only) WG1 - Wire Guard

Sample: HB-ELT-CUNV-210W-80-CT40-DIM-105D-1F-WH-SP-NA

### DIMENSIONS



### DIAGRAM



## HB-ELT-310W

### PRODUCT INFORMATION

310W (Selectable)

INSTALLATION	Suspended
MATERIAL	Die-cast Aluminum
FINISH	Powder Coat White
SYSTEM POWER (W)	240 / 270 / 310W
FIXTURE LUMEN OUTPUT (lm)	36000 / 40500 / 46500
SYSTEM EFFICIENCY (lm/W)	150
LED DRIVER	OEM Driver
LED ENGINE	SMD2835 LED



### PACKAGING

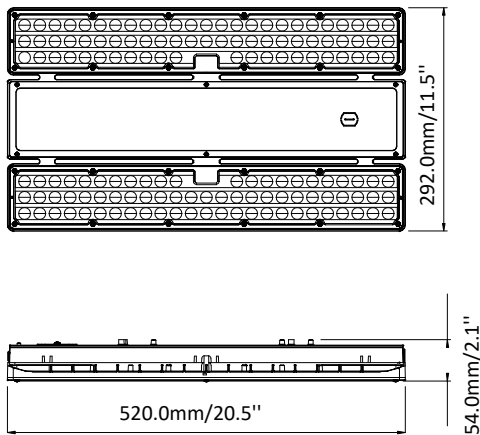
NEW WEIGHT LAMP (kg/lb)	3.3 / 7.3
GROSS WEIGHT CARTON (kg/lb)	7.1 / 15.7
MASTER CARTON DIMENSIONS (mm/in)	570x134x330 / 22.44x5.28x12.99
QUANTITY PER CARTON	2

### ORDERING LOGIC

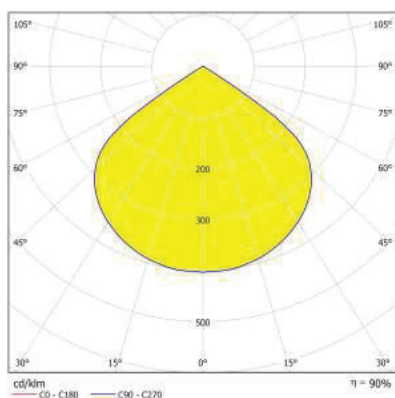
PRODUCT SERIES	TYPE	VOLTAGE	POWER	CRI	COLOR TEMPERATURE		DIMMING	BEAM ANGLES	SIZE	FINISH	MOUNTING	ACCESSORIES
HB	ELT	CUNV - 120-347V HV - 277-480V	310W-310 WATTS	80 - 80+	(CT 40) 4000K (Selectable)	(CT 50) 5000K (Selectable)	DIM - 0-10V	105D - 105°	2F - 2 Foot (20.5")	WH - WHITE	SP - Suspended (Standard - 11V/2F cable) CM - Ceiling Mount PM - Pendant Mount	NA - No Accessories CON - Continuous Run Connector Kit OS - Occupancy Sensor RC - Remote Control (for Occupancy Sensor Only) EB1 - Emergency Battery (CUNV Only) WG2 - Wire Guard

Sample: HB-ELT-CUNV-310W-80-CT40-DIM-105D-2F-WH-SP-NA

### DIMENSIONS



### DIAGRAM



## MOUNTING ACCESSORIES



SP SUSPENSION MOUNT (STANDARD)



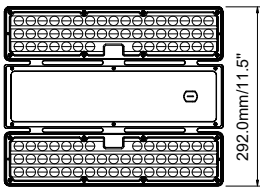
CM SURFACE MOUNT



PM PENDANT MOUNT

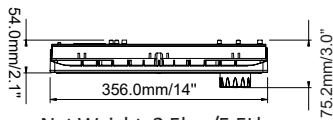
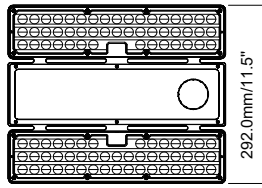
## DIMENSIONS

### 105/130/155W & 155/180/210W



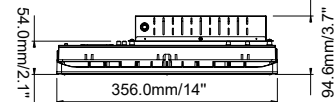
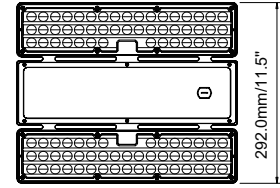
Net Weight: 2.5kgs/5.5Lbs

#### WITH SENSOR



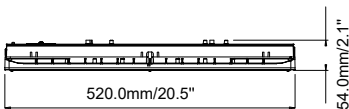
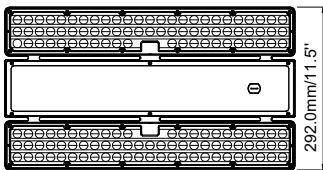
Net Weight: 2.5kgs/5.5Lbs

#### WITH EMERGENCY DRIVER



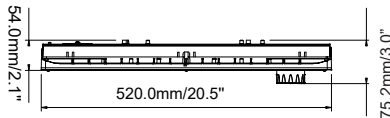
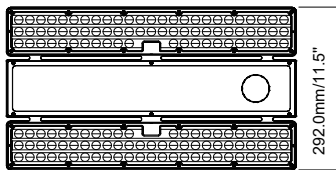
Net Weight: 2.5kgs/5.5Lbs

### 240/270/310W



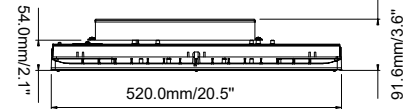
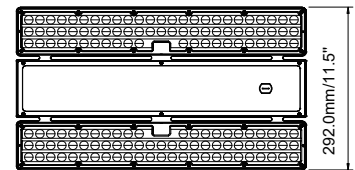
Net Weight: 3.3kgs/7.3Lbs

#### WITH SENSOR



Net Weight: 3.3kgs/7.3Lbs

#### WITH EMERGENCY DRIVER



Net Weight: 3.3kgs/7.3Lbs

## ACCESSORIES

### OCCUPANCY SENSOR



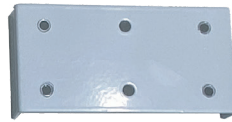
### REMOTE CONTROL



### WIRE GUARD



### CONTINUOUS RUN CONNECTOR KIT



### EMERGENCY DRIVERS



**EB1**  
105/130/155W

<b>25W</b>	<b>CUNV</b>
------------	-------------



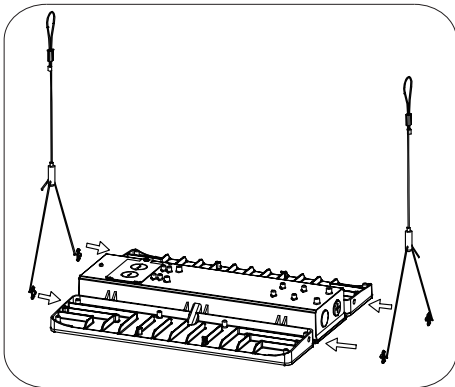
**EB2**  
155/180/210W  
240/270/310W

<b>40W</b>	<b>CUNV</b>
------------	-------------

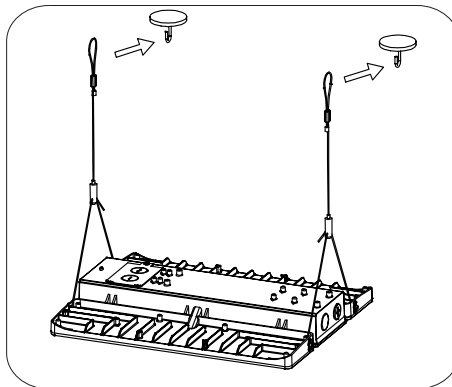
## PRE-INSTALLATION

1. Be careful to open the carton, contact us if any damage.
2. This product must be installed in accordance with the applicable building code(s) by a person familiar with the construction and operation of the product and the hazards involved.
3. Caution - risk of shock; disconnect power before servicing when photoelectric switch provided.
4. Please check whether the voltage marked on the luminaire is consistent with the input voltage to be connected, so as not to damage the LED luminaire.
5. To ensure the lifetime of the product, please do not use install in caustic environments.
6. Make sure the installation position can withstand 10 times the weight of the luminaire before installation. Install fixture in a level position, in a place free from vibration, potential swing, or fire hazard.

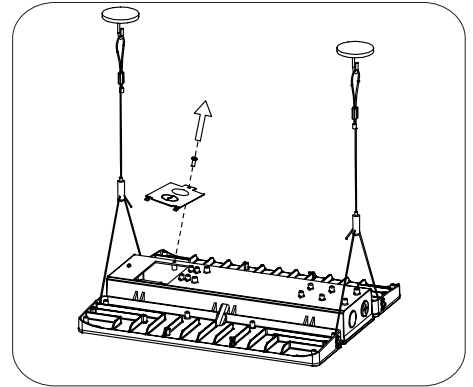
## INSTALLATION SUSPENDED MOUNTING (STANDARD)



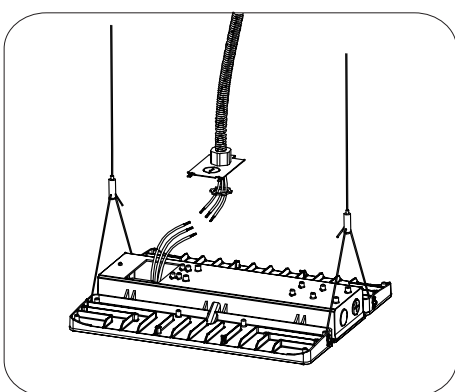
1. Install hangers into the fixture



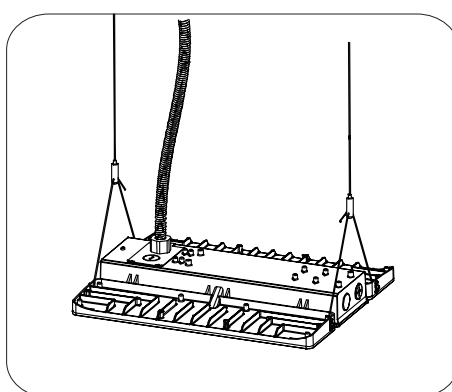
2. Suspend hangers from the ceiling anchors



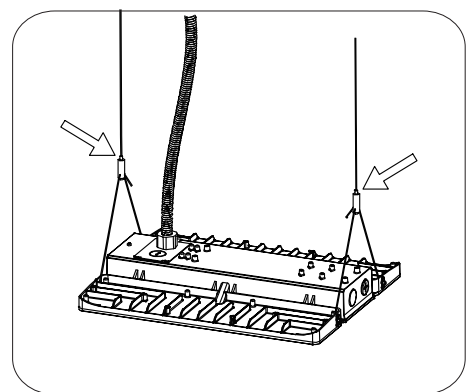
3. Remove the screws and remove the cover



4. Wire as required, taking any necessary safety precautions

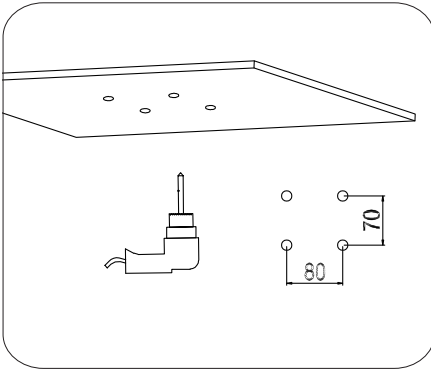


5. lock the lid

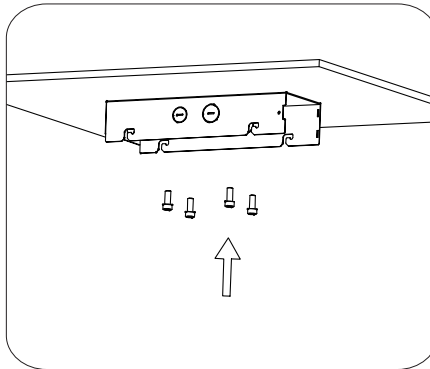


6. Press button to adjust to the required length and complete the installation

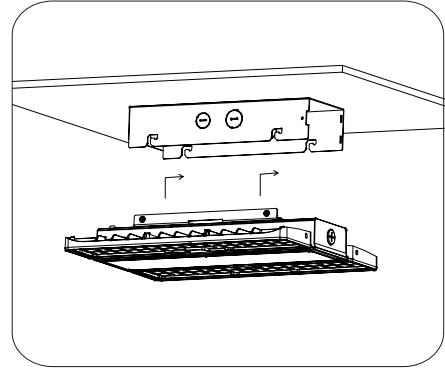
## INSTALLATION SURFACE MOUNTING



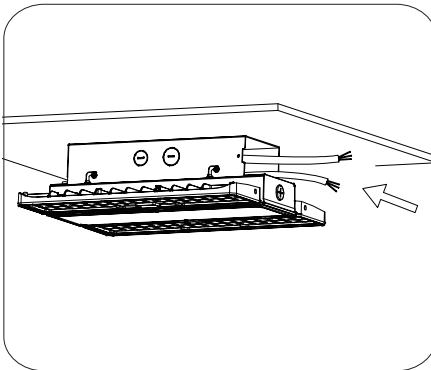
1. Drill holes according to ceiling and size requirements



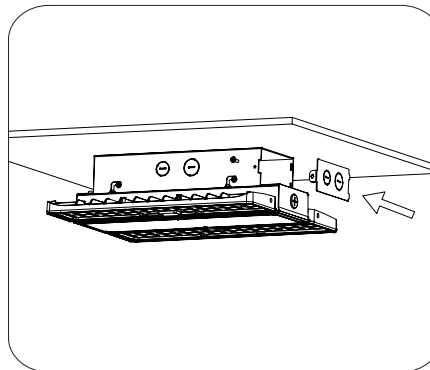
2. Mount the bracket to the ceiling



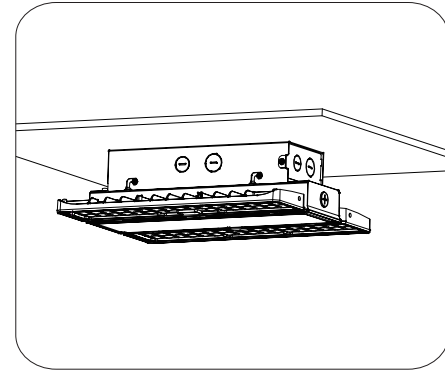
3. Install the light into the ceiling bracket and tighten the screws



4. Wire as required, taking any necessary safety precautions

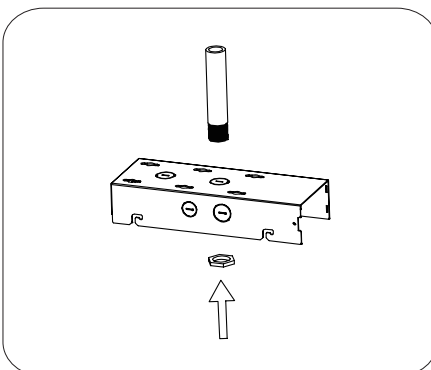


5. Close the cover and tighten the screws

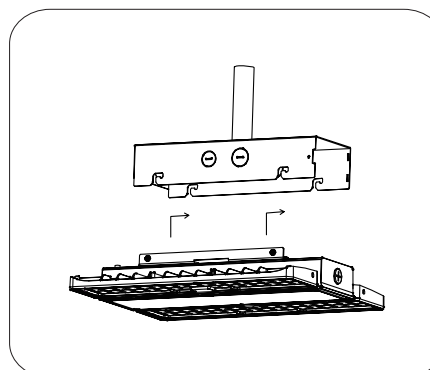


6. Complete installation

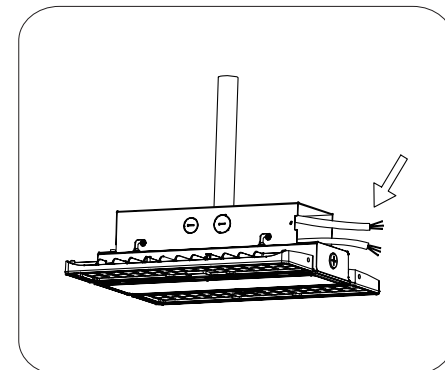
## INSTALLATION PENDANT MOUNTING



1. Install the ceiling bracket on the 3/4" pipe



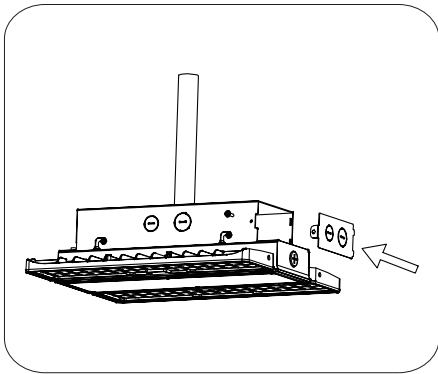
2. Install the light into the ceiling bracket and tighten the screws



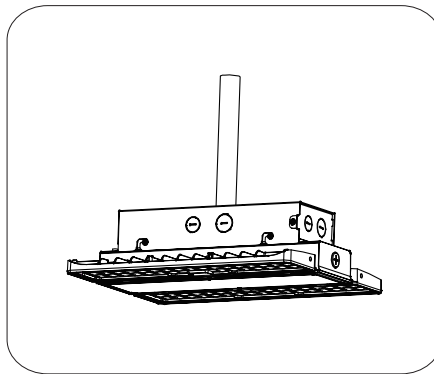
3. Wire as required, taking any necessary safety precautions



## INSTALLATION PENDANT MOUNT (CONTINUED)

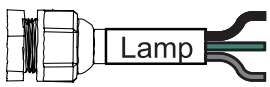


4. Close the cover and tighten the screws



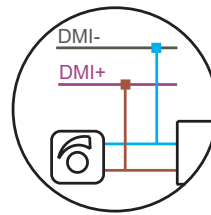
5. Complete installation

## WIRING DIAGRAM



L-black  
GND-green  
N-white

AC120 - 277/347V 50/60Hz  
AC277- 480V 50/60Hz



Dimmer connect the wires:  
DMI+match DMI+;  
DMI - match DMI-

## SHIPPING & WAREHOUSING

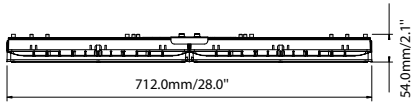
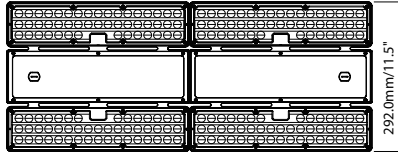
1. Avoid excess vibration and shaking of fixture during transportation, handle carefully when unloading.
2. Recommended storage temperature of -10~ +60°C, in a dry environment.

## TROUBLESHOOTING

PROBLEM	POSSIBLE CAUSE	SOLUTION
Light will not turn on	A. Light switch is turned off. B. Fuse is blown or circuit breaker is turned off. C. Incorrect circuit wiring	A. Turn light switch on. B. Replace fuse or turn circuit breaker on. C. Verify that fixture is wired properly.

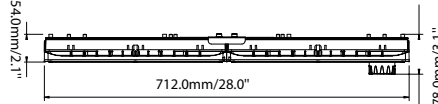
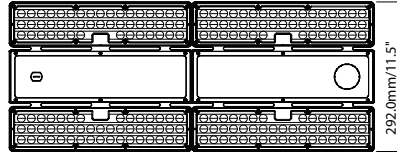
## TANDEM MOUNTING

### 105/130/155W & 155/180/210W



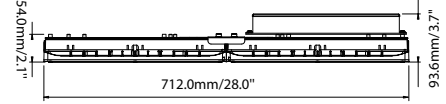
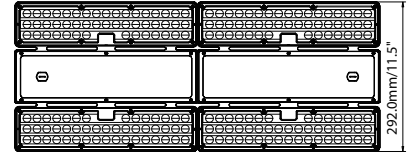
Net Weight: 5.2kgs/11.5Lbs

### WITH SENSOR



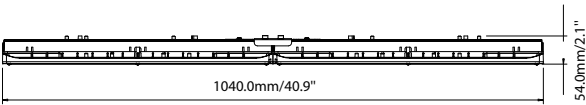
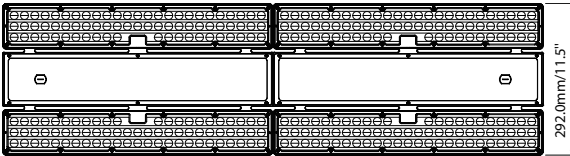
Net Weight: 5.2kgs/11.5Lbs

### WITH EMERGENCY DRIVER



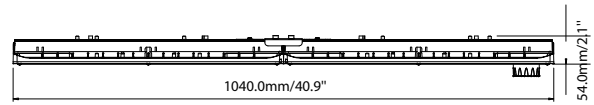
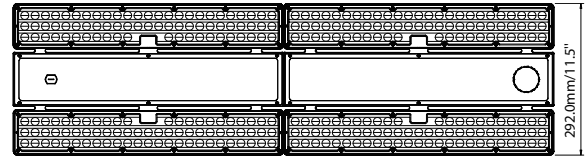
Net Weight: 5.2kgs/11.5Lbs

### 240/270/310W



Net Weight: 6.8kgs/15.0Lbs

### WITH SENSOR



Net Weight: 6.8kgs/15.0Lbs