

AQUALITE - POOLS AND NATATORIUMS SPEC SHEET



FL-AQ-UNV



The Aqualite is a modular LED flood light specifically designed for the caustic environment of Natatoriums, but versatile enough to be used in any flood light application. Multiple optical lens choices, and rotatable modules allow a wide variety of light spread for various use both indoor and out.

FEATURES

Salt spray anti corrosion tested to IEC60068-2-11, ISO4628-3, ASTM B117 standards for Natatorium applications. Anti-corrosive finish is standard. Available in 60W modules, each independently rotatable, featuring an aluminum cooling fin for superior heat dissipation. IK09 Rating.



V 120-277 VAC (UNV) / 277-480V (HV) (Remote drivers)
Operating Voltage

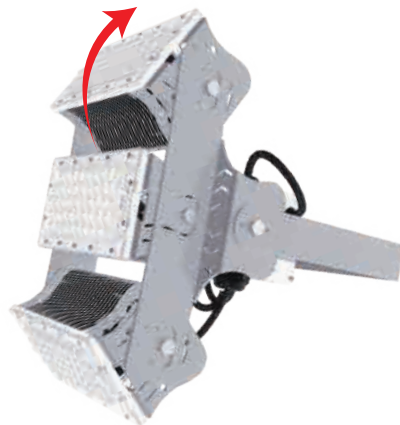
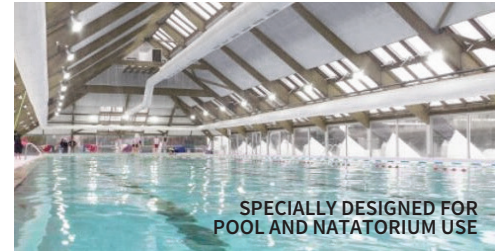
W 60W / 100W / 150W / 200W / 300W / 400W / 600W
Rated Power

OPERATING TEMPERATURE	-40°C to 60°C / -40°F to 140°F
LAMP LIFE	L70 > 75,000 hrs
CONTROL	0-10V Dimming
COLORS	2700K, 3000K, 4000K, 5000K, 6500K
WARRANTY	DLC, cETL listed, and CE with 6 year warranty

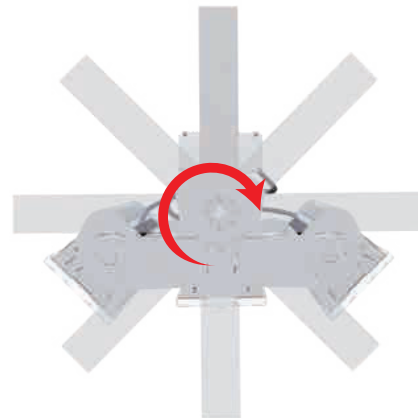
ELECTRICAL DATA

AVAILABLE WATTAGES	60W / 100W / 150W / 200W / 300W / 400W / 600W
EFFICACY	60D, 90D, 120D: 170 LM / W 30D: 160 LM / W 10D: 120 LM / W
AVAILABLE VOLTAGES	120-277 VAC (UNV) / 277-480V (HV) (Remote drivers only)
RATED POWER	>0.95
CRI	>70Ra

Application



Module rotatable 90°



Arc bracket rotatable 360°

AQUALITE - POOLS AND NATATORIUMS SPEC SHEET



FL-AQ-UNV-60W

PRODUCT INFORMATION (60W)

INSTALLATION	Surface
MATERIAL	Steel
FINISH	Grey
SYSTEM POWER (W)	60W
FIXTURE LUMEN OUTPUT (lm)	10200
SYSTEM EFFICIENCY (lm/W)	170
LED DRIVER	Meanwell XLG
LED ENGINE	Philip Lumileds 5050, CREE 3535 for 10D ONLY



PACKAGING

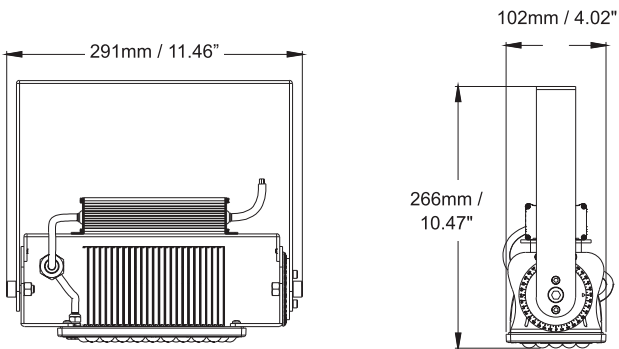
NEW WEIGHT LAMP (kg/lb)	2.4 / 5.29
GROSS WEIGHT CARTON (kg/lb)	16.3 / 35.94
MASTER CARTON DIMENSIONS (mm/in)	710 x 350 x 340 / 27.95 x 13.78 x 13.39
QUANTITY PER CARTON	4

ORDERING LOGIC

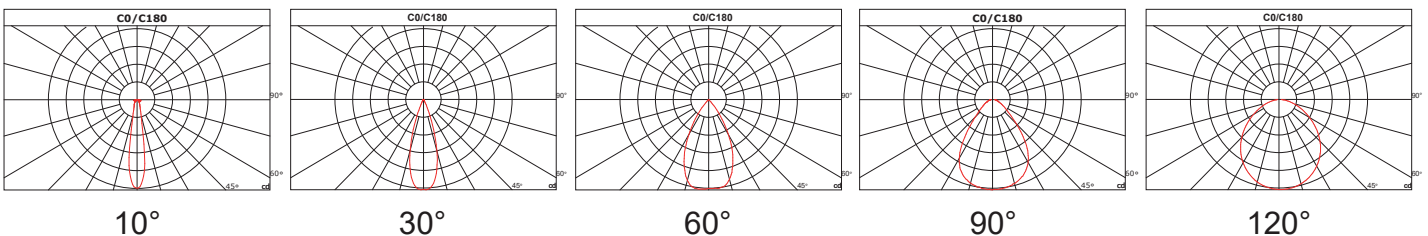
PRODUCT SERIES	TYPE	VOLTAGE	POWER	COLOR TEMPERATURE	DIMMING	BEAM ANGLES	FINISH	MOUNTING	ACCESSORIES
FL	AQ - Aqualite	UNV - 120-277V HV - 277-480V <small>(remote driver)</small>	60W - 60 WATTS	(CT 27) 2700K	DIM - 0-10V	10D - 10°	GR - GREY	YK - Yoke Mount <small>(Standard)</small> PM - Pendant Mount CAB - Cross Arm Bracket	NA - No Accessories SC - Safety Cable <small>(1m / 39.37")</small>
				(CT 30) 3000K		30D - 30°			
				(CT 40) 4000K		60D - 60°			
				(CT 50) 5000K		90D - 90°			
				(CT 65) 6500K		120D - 120°			

Sample: FL-AQ-UNV-60W-CT27-DIM-10D-GR-YK-NA

DIMENSIONS



DIAGRAM



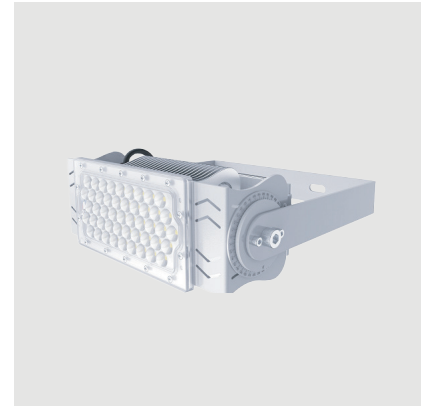
AQUALITE - POOLS AND NATATORIUMS SPEC SHEET



FL-AQ-UNV-100W

PRODUCT INFORMATION (100W)

INSTALLATION	Surface
MATERIAL	Steel
FINISH	Grey
SYSTEM POWER (W)	100W
FIXTURE LUMEN OUTPUT (lm)	17000
SYSTEM EFFICIENCY (lm/W)	170
LED DRIVER	Meanwell XLG
LED ENGINE	Philip Lumileds 5050, CREE 3535 for 10D ONLY



PACKAGING

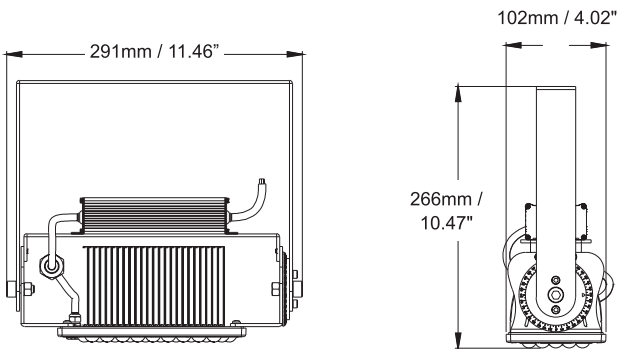
NEW WEIGHT LAMP (kg/lb)	2.4 / 5.29
GROSS WEIGHT CARTON (kg/lb)	16.3 / 35.94
MASTER CARTON DIMENSIONS (mm/in)	710 x 350 x 340 / 27.95 x 13.78 x 13.39
QUANTITY PER CARTON	4

ORDERING LOGIC

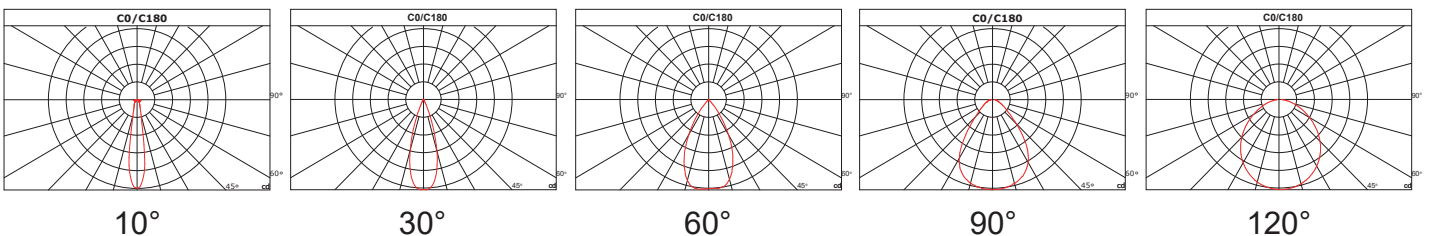
PRODUCT SERIES	TYPE	VOLTAGE	POWER	COLOR TEMPERATURE	DIMMING	BEAM ANGLES	FINISH	MOUNTING	ACCESSORIES
FL	AQ - Aqualite	UNV - 120-277V HV - 277-480V <small>(remote driver)</small>	100W - 100 WATTS	(CT 27) 2700K (CT 30) 3000K (CT 40) 4000K (CT 50) 5000K (CT 65) 6500K	DIM - 0-10V	10D - 10° 30D - 30° 60D - 60° 90D - 90° 120D - 120°	GR - GREY	YK - Yoke Mount <small>(Standard)</small> PM - Pendant Mount CAB - Cross Arm Bracket	NA - No Accessories SC - Safety Cable <small>(1m / 39.37")</small>

Sample: FL-AQ-UNV-100W-CT27-DIM-10D-GR-YK-NA

DIMENSIONS



DIAGRAM



AQUALITE - POOLS AND NATATORIUMS SPEC SHEET



FL-AQ-UNV-150W

PRODUCT INFORMATION (150W)

INSTALLATION	Surface
MATERIAL	Steel
FINISH	Grey
SYSTEM POWER (W)	150W
FIXTURE LUMEN OUTPUT (lm)	25500
SYSTEM EFFICIENCY (lm/W)	170
LED DRIVER	Meanwell XLG
LED ENGINE	Philip Lumileds 5050, CREE 3535 for 10D ONLY



PACKAGING

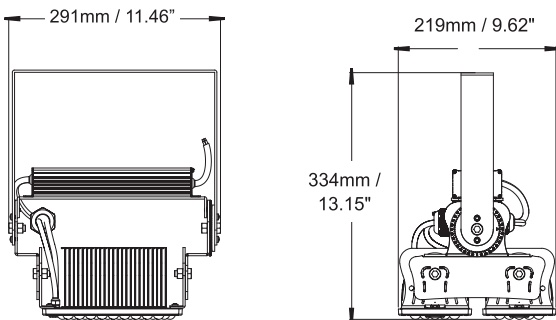
NEW WEIGHT LAMP (kg/lb)	4.7 / 10.36
GROSS WEIGHT CARTON (kg/lb)	19.1 / 42.1
MASTER CARTON DIMENSIONS (mm/in)	530 x 340 x 730 / 20.87 x 13.39 x 28.74
QUANTITY PER CARTON	4

ORDERING LOGIC

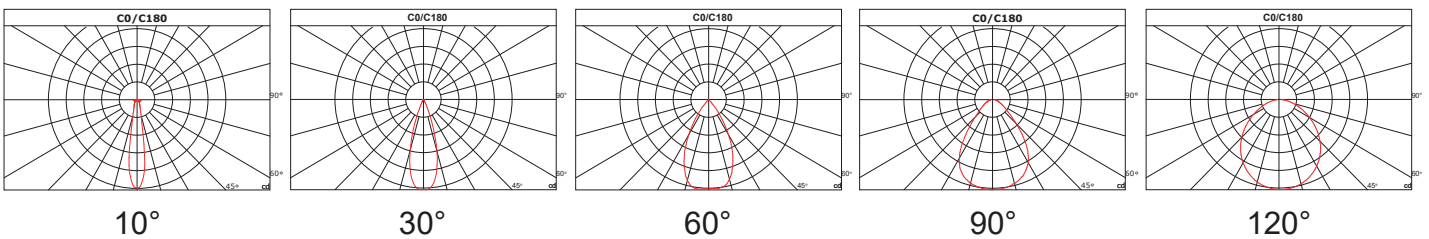
PRODUCT SERIES	TYPE	VOLTAGE	POWER	COLOR TEMPERATURE	DIMMING	BEAM ANGLES	FINISH	MOUNTING	ACCESSORIES
FL	AQ - Aqualite	UNV - 120-277V HV - 277-480V <small>(remote driver)</small>	150W - 150 WATTS	(CT 27) 2700K (CT 30) 3000K (CT 40) 4000K (CT 50) 5000K (CT 65) 6500K	DIM - 0-10V	10D - 10° 30D - 30° 60D - 60° 90D - 90° 120D - 120°	GR - GREY	YK - Yoke Mount <small>(Standard)</small> PM - Pendant Mount CAB - Cross Arm Bracket	NA - No Accessories SC - Safety Cable <small>(1m / 39.37")</small>

Sample: FL-AQ-UNV-150W-CT27-DIM-10D-GR-YK-NA

DIMENSIONS



DIAGRAM



AQUALITE - POOLS AND NATATORIUMS SPEC SHEET



FL-AQ-UNV-200W

PRODUCT INFORMATION (200W)

INSTALLATION	Surface
MATERIAL	Steel
FINISH	Grey
SYSTEM POWER (W)	200W
FIXTURE LUMEN OUTPUT (lm)	34000
SYSTEM EFFICIENCY (lm/W)	170
LED DRIVER	Meanwell XLG
LED ENGINE	Philip Lumileds 5050, CREE 3535 for 10D ONLY



PACKAGING

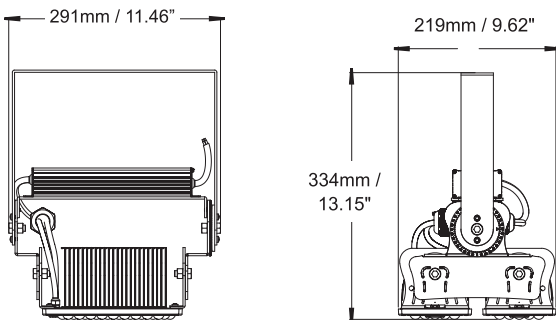
NEW WEIGHT LAMP (kg/lb)	4.7 / 10.36
GROSS WEIGHT CARTON (kg/lb)	19.1 / 42.1
MASTER CARTON DIMENSIONS (mm/in)	530 x 340 x 730 / 20.87 x 13.39 x 28.74
QUANTITY PER CARTON	4

ORDERING LOGIC

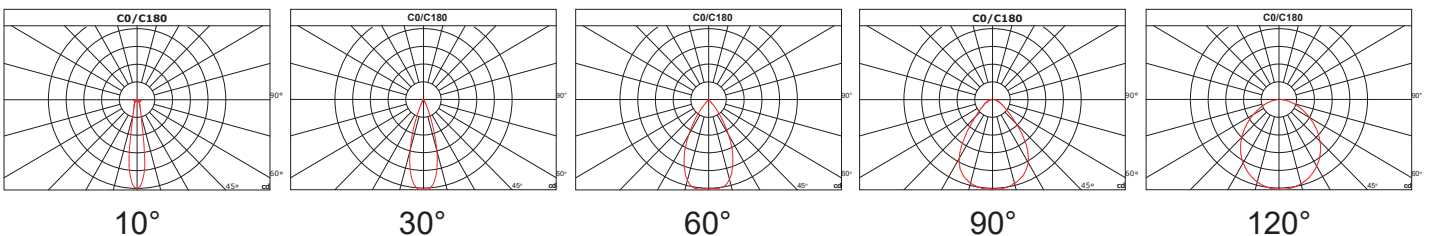
PRODUCT SERIES	TYPE	VOLTAGE	POWER	COLOR TEMPERATURE	DIMMING	BEAM ANGLES	FINISH	MOUNTING	ACCESSORIES
FL	AQ - Aqualite	UNV - 120-277V HV - 277-480V <small>(remote driver)</small>	200W - 200 WATTS	(CT 27) 2700K (CT 30) 3000K (CT 40) 4000K (CT 50) 5000K (CT 65) 6500K	DIM - 0-10V	10D - 10° 30D - 30° 60D - 60° 90D - 90° 120D - 120°	GR - GREY	YK - Yoke Mount <small>(Standard)</small> PM - Pendant Mount CAB - Cross Arm Bracket	NA - No Accessories SC - Safety Cable <small>(1m / 39.37")</small>

Sample: FL-AQ-UNV-200W-CT27-DIM-10D-GR-YK-NA

DIMENSIONS



DIAGRAM



AQUALITE - POOLS AND NATATORIUMS SPEC SHEET



FL-AQ-UNV-300W

PRODUCT INFORMATION (300W)

INSTALLATION	Surface
MATERIAL	Steel
FINISH	Grey
SYSTEM POWER (W)	300W
FIXTURE LUMEN OUTPUT (lm)	51000
SYSTEM EFFICIENCY (lm/W)	170
LED DRIVER	Meanwell XLG
LED ENGINE	Philip Lumileds 5050, CREE 3535 for 10D ONLY



PACKAGING

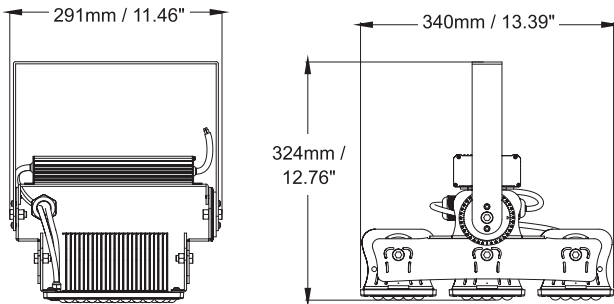
NEW WEIGHT LAMP (kg/lb)	5.7 / 12.57
GROSS WEIGHT CARTON (kg/lb)	23.4 / 51.59
MASTER CARTON DIMENSIONS (mm/in)	690 x 440 x 520 / 27.17 x 17.32 x 20.47
QUANTITY PER CARTON	4

ORDERING LOGIC

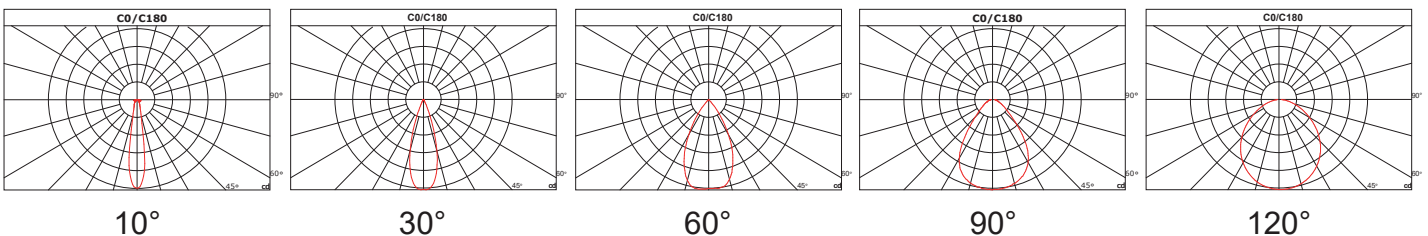
PRODUCT SERIES	TYPE	VOLTAGE	POWER	COLOR TEMPERATURE	DIMMING	BEAM ANGLES	FINISH	MOUNTING	ACCESSORIES
FL	AQ - Aqualite	UNV - 120-277V HV - 277-480V <small>(remote driver)</small>	300W - 300 WATTS	(CT 27) 2700K (CT 30) 3000K (CT 40) 4000K (CT 50) 5000K (CT 65) 6500K	DIM - 0-10V	10D - 10° 30D - 30° 60D - 60° 90D - 90° 120D - 120°	GR - GREY	YK - Yoke Mount <small>(Standard)</small> PM - Pendant Mount CAB - Cross Arm Bracket	NA - No Accessories SC - Safety Cable <small>(1m / 39.37")</small>

Sample: FL-AQ-UNV-300W-CT27-DIM-10D-GR-YK-NA

DIMENSIONS



DIAGRAM



AQUALITE - POOLS AND NATATORIUMS SPEC SHEET



FL-AQ-UNV-400W

PRODUCT INFORMATION (400W)

INSTALLATION	Surface
MATERIAL	Steel
FINISH	Grey
SYSTEM POWER (W)	400W
FIXTURE LUMEN OUTPUT (lm)	68000
SYSTEM EFFICIENCY (lm/W)	170
LED DRIVER	Meanwell XLG
LED ENGINE	Philip Lumileds 5050, CREE 3535 for 10D ONLY



PACKAGING

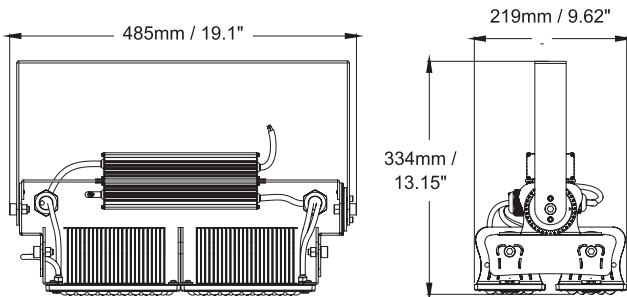
NEW WEIGHT LAMP (kg/lb)	6.6 / 14.55
GROSS WEIGHT CARTON (kg/lb)	15.5 / 34.17
MASTER CARTON DIMENSIONS (mm/in)	550 x 530 x 380 / 21.65 x 20.87 x 14.96
QUANTITY PER CARTON	2

ORDERING LOGIC

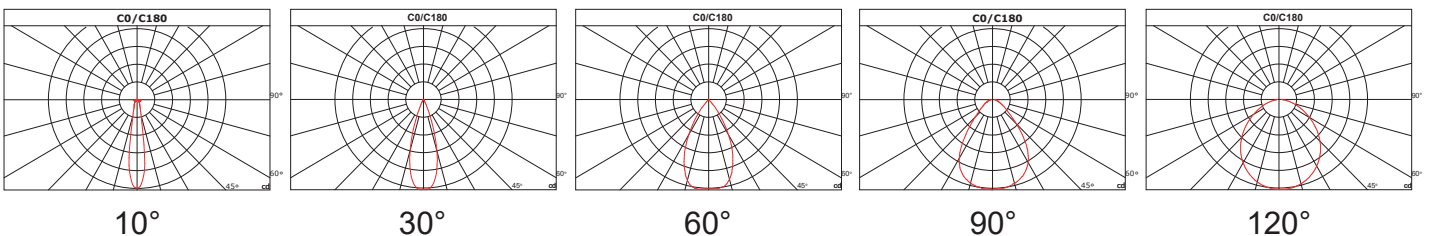
PRODUCT SERIES	TYPE	VOLTAGE	POWER	COLOR TEMPERATURE	DIMMING	BEAM ANGLES	FINISH	MOUNTING	ACCESSORIES
FL	AQ - Aqualite	UNV - 120-277V HV - 277-480V <small>(remote driver)</small>	400W - 400 WATTS	(CT 27) 2700K (CT 30) 3000K (CT 40) 4000K (CT 50) 5000K (CT 65) 6500K	DIM - 0-10V	10D - 10° 30D - 30° 60D - 60° 90D - 90° 120D - 120°	GR - GREY	YK - Yoke Mount <small>(Standard)</small> PM - Pendant Mount CAB - Cross Arm Bracket	NA - No Accessories SC - Safety Cable <small>(1m / 39.37")</small>

Sample: FL-AQ-UNV-400W-CT27-DIM-10D-GR-YK-NA

DIMENSIONS



DIAGRAM



AQUALITE - POOLS AND NATATORIUMS SPEC SHEET



FL-AQ-UNV-600W

PRODUCT INFORMATION (400W)

INSTALLATION	Surface
MATERIAL	Steel
FINISH	Grey
SYSTEM POWER (W)	600W
FIXTURE LUMEN OUTPUT (lm)	102000
SYSTEM EFFICIENCY (lm/W)	170
LED DRIVER	Meanwell XLG
LED ENGINE	Philip Lumileds 5050, CREE 3535 for 10D ONLY



PACKAGING

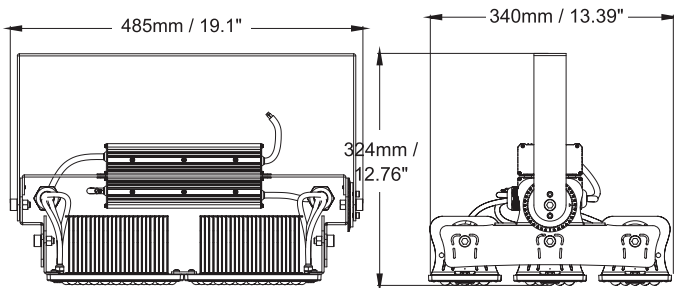
NEW WEIGHT LAMP (kg/lb)	9.9 / 21.83
GROSS WEIGHT CARTON (kg/lb)	22.5 / 49.6
MASTER CARTON DIMENSIONS (mm/in)	550 x 440 x 590 / 21.65 x 17.32 x 32.22
QUANTITY PER CARTON	2

ORDERING LOGIC

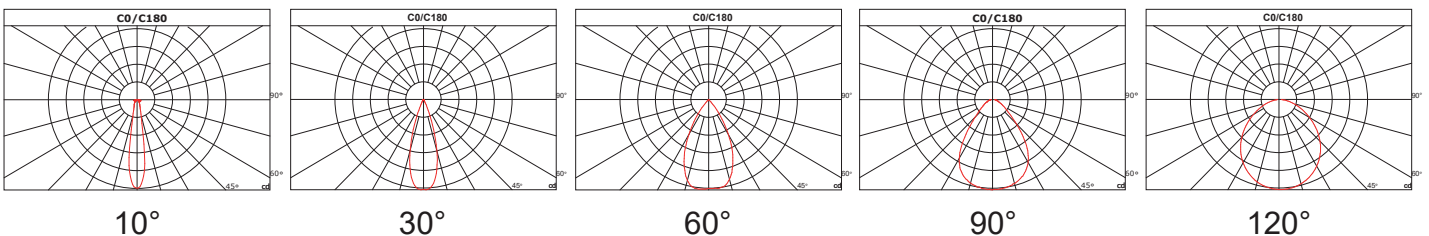
PRODUCT SERIES	TYPE	VOLTAGE	POWER	COLOR TEMPERATURE	DIMMING	BEAM ANGLES	FINISH	MOUNTING	ACCESSORIES
FL	AQ - Aqualite	UNV - 120-277V HV - 277-480V <small>(remote driver)</small>	600W - 600 WATTS	(CT 27) 2700K (CT 30) 3000K (CT 40) 4000K (CT 50) 5000K (CT 65) 6500K	DIM - 0-10V	10D - 10° 30D - 30° 60D - 60° 90D - 90° 120D - 120°	GR - GREY	YK - Yoke Mount <small>(Standard)</small> PM - Pendant Mount CAB - Cross Arm Bracket	NA - No Accessories SC - Safety Cable <small>(1m / 39.37")</small>

Sample: FL-AQ-UNV-600W-CT27-DIM-10D-GR-YK-NA

DIMENSIONS



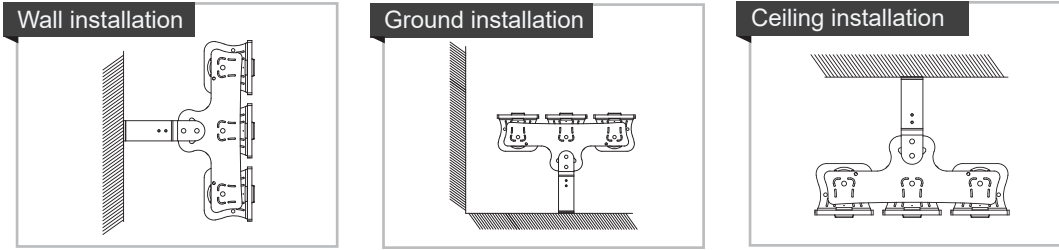
DIAGRAM



AQUALITE - POOLS AND NATATORIUMS SPEC SHEET

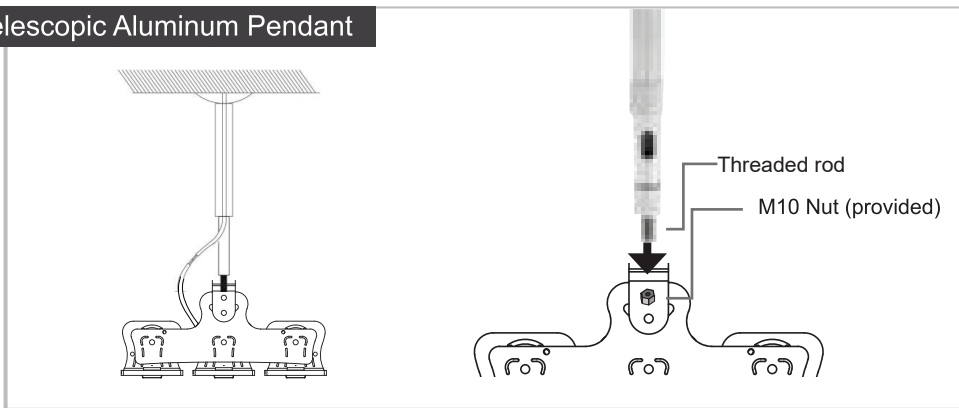
FL-AQ-UNV

YOKE MOUNTING OPTIONS

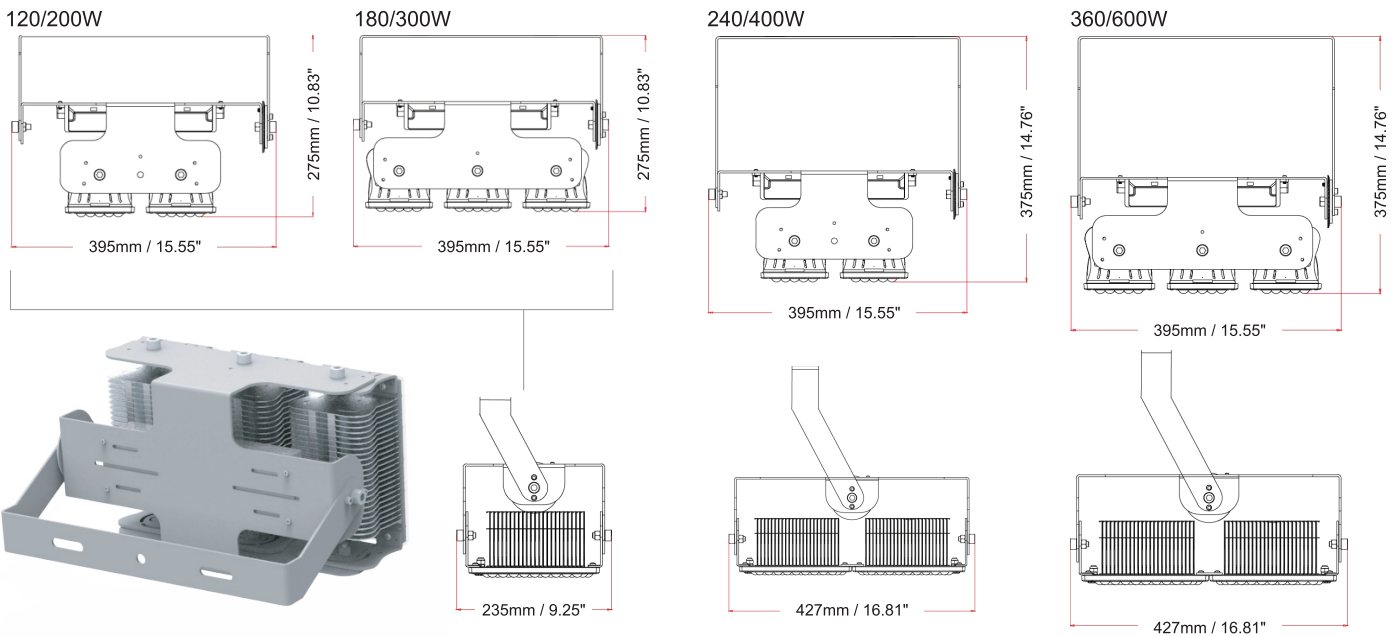


PENDANT MOUNT

Telescopic Aluminum Pendant

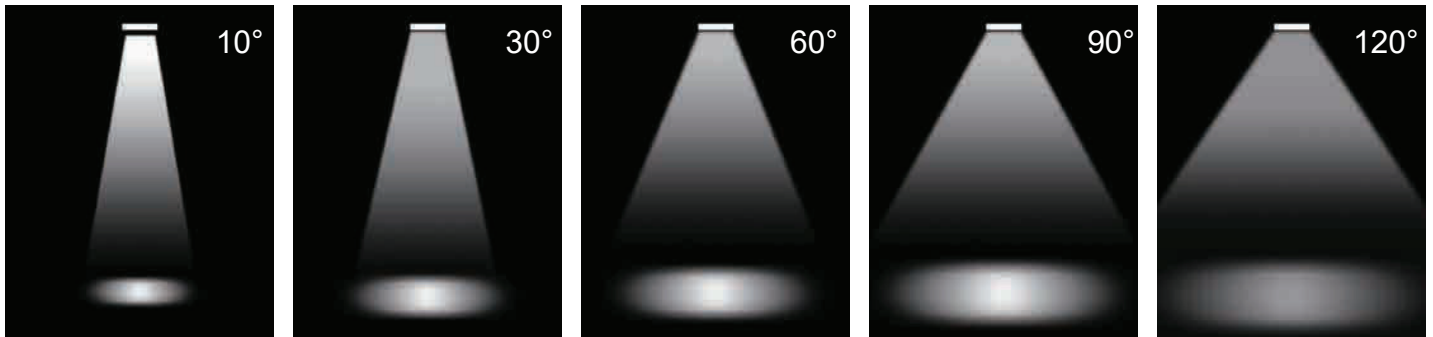


CROSS ARM BRACKET MOUNT



FL-AQ-UNV

BEAM ANGLES



ACCESSORIES

Safety Chain 1m / 39.37"



HEATSINK

Ultra Lightweight, Highly Efficient Heat Distribution
Multi Air Flow + Aluminum Cooling Fan

