

## HB-UFO



The UFO is a high-performance LED high bay luminaire that is perfect for distribution centers and warehouses. It can be applied to industrial, commercial, gymnasium and other applications that would traditionally use HID or fluorescent luminaires. UFO has lower energy consumption than traditional high bays that will bring significant savings on your utility bills. This is an excellent replacement for 250-1000W metal halides; 300W LED's 39,000L can replace 1000W metal halides.



### FEATURES

Aluminum die-cast housing with anti corrosion heat sinks and rear air flow channels, maximize heat dissipation resulting in cooler operation, longer life and improved performance. UFO is IP65 rated, operates at -30 to 50 degrees Celsius.



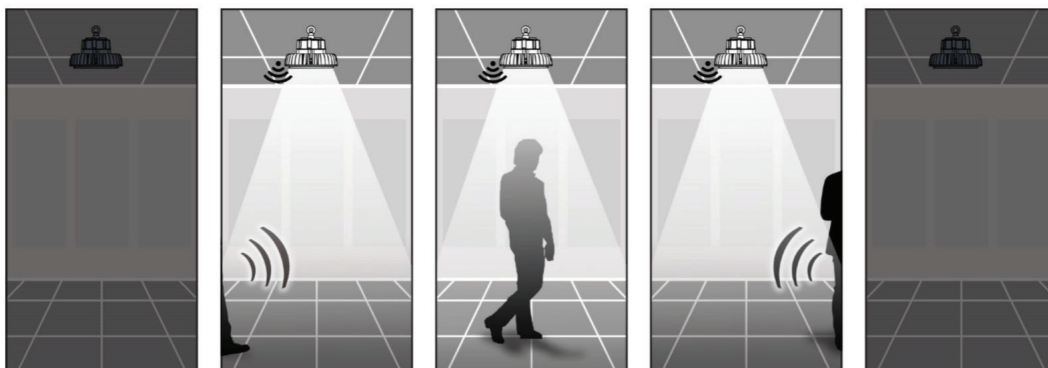
<b>OPERATING VOLTAGE</b>	120-347V (CUNV) / 200-480V (HV)
<b>OPERATING TEMPERATURE</b>	-30°C to 50°C / -22°F to 122°F
<b>LAMP LIFE</b>	L70 > 100,000 hrs @ 25°C
<b>CONTROL</b>	0-10V Dimming, down to 10%
<b>COLORS</b>	3000K, 4000K, 5000K
<b>NEMA</b>	4x
<b>STANDARD ATTACHMENT</b>	Rigid eye-bolt
<b>OPTIONAL BRACKET</b>	Bracket for conduit and surface mount
<b>WARRANTY</b>	CE, cULus & DLC listed, and with 6 year warranty

### ELECTRICAL DATA

<b>LED TYPE</b>	Seoul
<b>AVAILABLE WATTAGES</b>	100W / 150W / 200W / 240W / 300W / 400W / 500W
<b>THD</b>	<15%
<b>UGR</b>	<25 (with lens)
<b>STANDARD SURGE PROTECTION</b>	4kV
<b>EFFICACY</b>	130 LM / W (CUNV) 140 LM / W (UNV, HV)
<b>AVAILABLE VOLTAGES</b>	100-277 VAC (UNV) and 200-480 VAC (HV) 120-347 VAC (CUNV available for 100W-240W only)
<b>RATED POWER</b>	>0.93
<b>CRI</b>	80+ / 90+
<b>STANDARD CORD ATTACHMENT</b>	1.83m (6ft)

### CONTROLS INTEGRATION SENSOR

<b>SENSOR MOUNTING HEIGHT</b>	≤ 14m (45.9')
<b>SENSOR OPTIONS</b>	Microwave Occupancy sensor (120 VAC, 277 VAC or 347 VAC)



# HB- UFO SPEC SHEET

## HB-UFO-100W

### PRODUCT INFORMATION (100W)

<b>INSTALLATION</b>	Eye-bolt (Standard)
<b>MATERIAL</b>	Aluminum
<b>FINISH</b>	Powder coat
<b>SYSTEM POWER (W)</b>	100W
<b>FIXTURE LUMEN OUTPUT (lm)</b>	13000 (CUNV) / 14000 (HV)
<b>SYSTEM EFFICIENCY (lm/W)</b>	130 (CUNV) / 140 (HV)
<b>LED DRIVER</b>	Intergrated



### PACKAGING

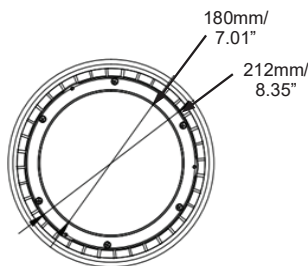
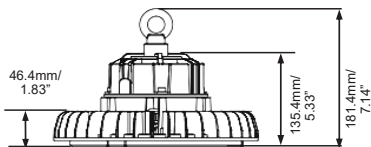
<b>NEW WEIGHT LAMP (kg/lb)</b>	3.50 / 7.70
<b>GROSS WEIGHT CARTON (kg/lb)</b>	4.50 / 10.0
<b>MASTER CARTON DIMENSIONS (mm/in)</b>	310 x 310 x 215 / 12.2 x 12.2 x 18.5
<b>QUANTITY PER CARTON</b>	1

### ORDERING LOGIC

PRODUCT SERIES	TYPE	VOLTAGE	POWER	CRI	COLOR TEMPERATURE	DIMMING	BEAM ANGLES	FINISH	LENS	MOUNTING	ACCESSORIES
HB	UFO - UFO	CUNV - 120-347V HV - 200-480V	100W -100 WATTS	80 - 80+ (Standard) 90 - 90+	(CT 30) 3000K (CT 40) 4000K (CT 50) 5000K	DIM - 0-10V	120D - 120° (Without Reflector)	BK - BLACK (Standard)	GCL - Glass Clear (Standard) PCL - PC Clear PFR - PC Frosted GFR - Glass Frosted	EB - Eye-bolt (Standard) CB - Ceiling bracket (optional)	NA - No Accessories OS - Microwave Occupancy Sensor WGB1 - Black Wire Guard WGW1 - White Wire Guard M10-1/4" - M10-1/4" Adaptor (CUNV only) M10-1/2" - M10-1/2" Adaptor (CUNV only) M10-3/4" - M10-3/4" Adaptor (CUNV only) M12-1/4" - M12-1/4" Adaptor (HV only) M12-1/2" - M12-1/2" Adaptor (HV only) M12-3/4" - M12-3/4" Adaptor (HV only) 16PO60 - 16" 60D Polycarbonate Reflector 16POBL60 - 16" 60D Polycarbonate Bottom Lens 16PO90 - 16" 90D Polycarbonate Reflector 16POBL90 - 16" 90D Polycarbonate Bottom Lens 19PO60 - 19" 60D Polycarbonate Reflector 19POBL60 - 19" 60D Polycarbonate Bottom Lens 19PO90 - 19" 90D Polycarbonate Reflector 19POBL90 - 19" 90D Polycarbonate Bottom Lens 22PO70S - 22" 70D Polycarbonate Reflector 22POBS70 - 22" 70D Polycarbonate Bottom Lens 16AL60 - 16" Aluminum 60° Reflector 16AL90 - 16" Aluminum 90° Reflector ID - Inline Disconnector Pre-Installed

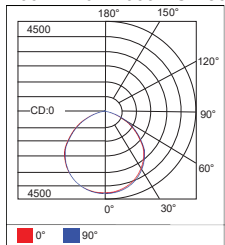
Sample: HB-UFO-CUNV-100W-80-CT30-DIM-120D-BK-GCL-EB-NA

### DIMENSIONS

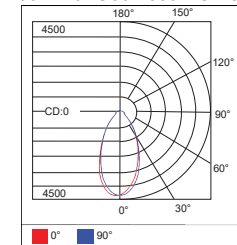


### DIAGRAM

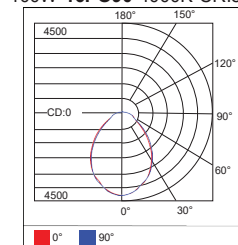
100W-120D-4000K-CRI80



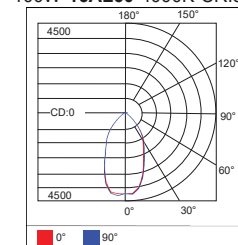
100W-16PO60-4000K-CRI80



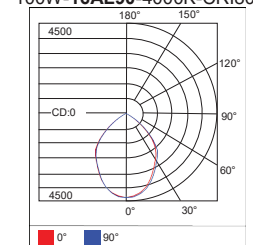
100W-16PO90-4000K-CRI80



100W-16AL60-4000K-CRI80



100W-16AL90-4000K-CRI80



# HB- UFO SPEC SHEET

## HB-UFO-150W

### PRODUCT INFORMATION (150W)

INSTALLATION	Eye-bolt (Standard)
MATERIAL	Aluminum
FINISH	Powder coat
SYSTEM POWER (W)	150W
FIXTURE LUMEN OUTPUT (lm)	19500 (CUNV) / 21000 (HV)
SYSTEM EFFICIENCY (lm/W)	130 (CUNV) / 140 (HV)
LED DRIVER	Intergrated



### PACKAGING

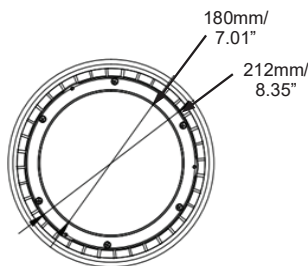
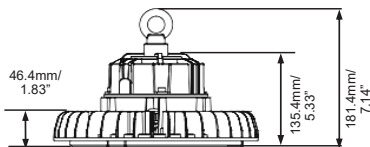
NEW WEIGHT LAMP (kg/lb)	3.50 / 7.70
GROSS WEIGHT CARTON (kg/lb)	4.50 / 10.0
MASTER CARTON DIMENSIONS (mm/in)	310 x 310 x 215 / 12.2 x 12.2 x 18.5
QUANTITY PER CARTON	1

### ORDERING LOGIC

PRODUCT SERIES	TYPE	VOLTAGE	POWER	CRI	COLOR TEMPERATURE	DIMMING	BEAM ANGLES	FINISH	LENS	MOUNTING	ACCESSORIES
HB	UFO - UFO	CUNV - 120-347V HV - 200-480V	150W-150 WATTS	80 - 80+ (Standard) 90 - 90+	(CT 30) 3000K (CT 40) 4000K (CT 50) 5000K	DIM - 0-10V	120D - 120° (Without Reflector)	BK - BLACK (Standard)	GCL - Glass Clear (Standard) PCL - PC Clear PFR - PC Frosted GFR - Glass Frosted	EB - Eye-bolt (Standard) CB - Ceiling bracket (optional)	NA - No Accessories OS - Microwave Occupancy Sensor WGB1 - Black Wire Guard WGW1 - White Wire Guard M10-1/4" - M10-1/4" Adaptor (CUNV only) M10-1/2" - M10-1/2" Adaptor (CUNV only) M10-3/4" - M10-3/4" Adaptor (CUNV only) M12-1/4" - M12-1/4" Adaptor (HV only) M12-1/2" - M12-1/2" Adaptor (HV only) M12-3/4" - M12-3/4" Adaptor (HV only) 16PO60 - 16" 60D Polycarbonate Reflector 16POBL60 - 16" 60D Polycarbonate Bottom Lens 16PO90 - 16" 90D Polycarbonate Reflector 16POBL90 - 16" 90D Polycarbonate Bottom Lens 19PO60 - 19" 60D Polycarbonate Reflector 19POBL60 - 19" 60D Polycarbonate Bottom Lens 19PO90 - 19" 90D Polycarbonate Reflector 19POBL90 - 19" 90D Polycarbonate Bottom Lens 22PO70S - 22" 70D Polycarbonate Reflector 22POBS70 - 22" 70D Polycarbonate Bottom Lens 16AL60 - 16" Aluminum 60° Reflector 16AL90 - 16" Aluminum 90° Reflector ID - Inline Disconnector Pre-Installed

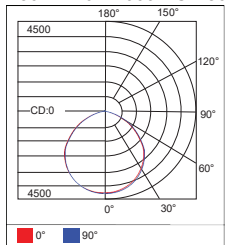
Sample: HB-UFO-CUNV-150W-80-CT30-DIM-120D-BK-GCL-EB-NA

### DIMENSIONS

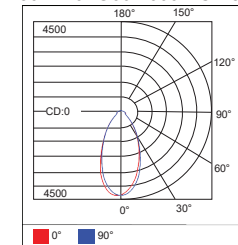


### DIAGRAM

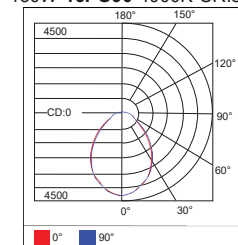
150W-120D-4000K-CRI80



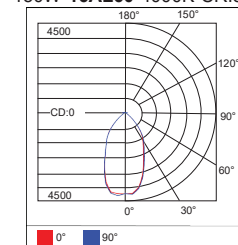
150W-16PO60-4000K-CRI80



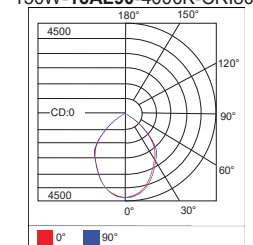
150W-16PO90-4000K-CRI80



150W-16AL60-4000K-CRI80



150W-16AL90-4000K-CRI80



# HB- UFO SPEC SHEET

HB-UFO-200W

## PRODUCT INFORMATION (200W)

INSTALLATION	Eye-bolt (Standard)
MATERIAL	Aluminum
FINISH	Powder coat
SYSTEM POWER (W)	200W
FIXTURE LUMEN OUTPUT (lm)	26000 (CUNV) / 28000 (HV)
SYSTEM EFFICIENCY (lm/W)	130 (CUNV) / 140 (HV)
LED DRIVER	Intergrated



## PACKAGING

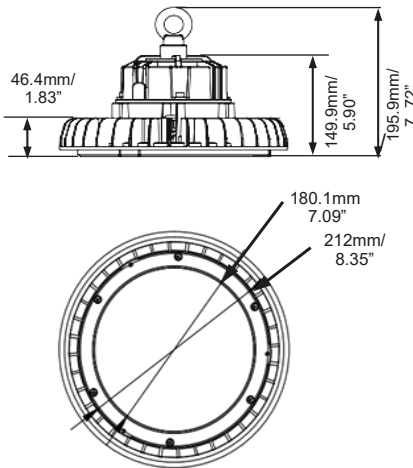
NEW WEIGHT LAMP (kg/lb)	3.50 / 7.70
GROSS WEIGHT CARTON (kg/lb)	4.50 / 10.0
MASTER CARTON DIMENSIONS (mm/in)	310 x 310 x 215 / 12.2 x 12.2 x 18.5
QUANTITY PER CARTON	1

## ORDERING LOGIC

PRODUCT SERIES	TYPE	VOLTAGE	POWER	CRI	COLOR TEMPERATURE	DIMMING	BEAM ANGLES	FINISH	LENS	MOUNTING	ACCESSORIES
HB	UFO - UFO	CUNV - 120-347V HV - 200-480V	200W - 200 WATTS	80 - 80+ (Standard) 90 - 90+	(CT 30) 3000K (CT 40) 4000K (CT 50) 5000K	DIM - 0-10V	120D - 120° (Without Reflector)	BK - BLACK (Standard)	GCL - Glass Clear (Standard) PCL - PC Clear PFR - PC Frosted GFR - Glass Frosted	EB - Eye-bolt (Standard) CB - Ceiling bracket (optional)	NA - No Accessories OS - Microwave Occupancy Sensor WGB1 - Black Wire Guard WGW1 - White Wire Guard M10-1/4" - M10-1/4" Adaptor (CUNV only) M10-1/2" - M10-1/2" Adaptor (CUNV only) M10-3/4" - M10-3/4" Adaptor (CUNV only) M12-1/4" - M12-1/4" Adaptor (HV only) M12-1/2" - M12-1/2" Adaptor (HV only) M12-3/4" - M12-3/4" Adaptor (HV only) 16PO60 - 16" 60D Polycarbonate Reflector 16POBL60 - 16" 60D Polycarbonate Bottom Lens 16PO90 - 16" 90D Polycarbonate Reflector 16POBL90 - 16" 90D Polycarbonate Bottom Lens 19PO60 - 19" 60D Polycarbonate Reflector 19POBL60 - 19" 60D Polycarbonate Bottom Lens 19PO90 - 19" 90D Polycarbonate Reflector 19POBL90 - 19" 90D Polycarbonate Bottom Lens 22PO70S - 22" 70D Polycarbonate Reflector 22POBS70 - 22" 70D Polycarbonate Bottom Lens 16AL60 - 16" Aluminum 60° Reflector 16AL90 - 16" Aluminum 90° Reflector ID - Inline Disconnecter Pre-Installed

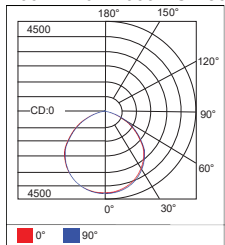
Sample: HB-UFO-CUNV-200W-80-CT30-DIM-120D-BK-GCL-EB-NA

## DIMENSIONS

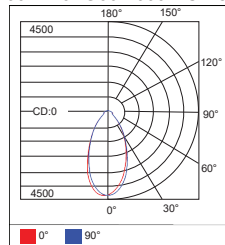


## DIAGRAM

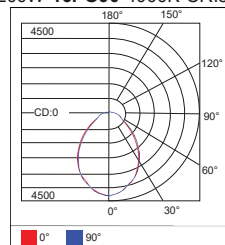
200W-120D-4000K-CRI80



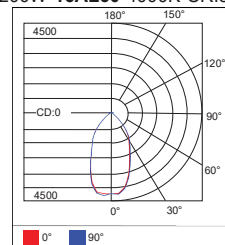
200W-16PO60-4000K-CRI80



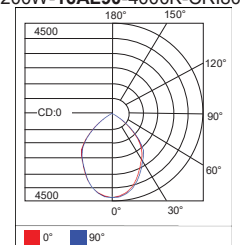
200W-16PO90-4000K-CRI80



200W-16AL60-4000K-CRI80



200W-16AL90-4000K-CRI80



# HB- UFO SPEC SHEET

HB-UFO-240W

## PRODUCT INFORMATION (240W)

<b>INSTALLATION</b>	Eye-bolt (Standard)
<b>MATERIAL</b>	Aluminum
<b>FINISH</b>	Powder coat
<b>SYSTEM POWER (W)</b>	240W
<b>FIXTURE LUMEN OUTPUT (lm)</b>	31200 (CUNV) / 33600 (HV)
<b>SYSTEM EFFICIENCY (lm/W)</b>	130 (CUNV) / 140 (HV)
<b>LED DRIVER</b>	Intergrated



## PACKAGING

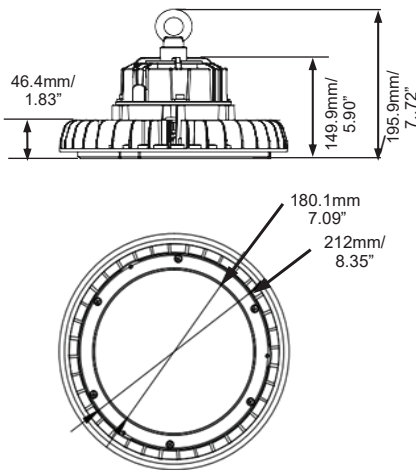
<b>NEW WEIGHT LAMP (kg/lb)</b>	6.70 / 14.7
<b>GROSS WEIGHT CARTON (kg/lb)</b>	7.70 / 17.0
<b>MASTER CARTON DIMENSIONS (mm/in)</b>	340 x 340 x 190 / 13.4 x 13.4 x 7.5
<b>QUANTITY PER CARTON</b>	1

## ORDERING LOGIC

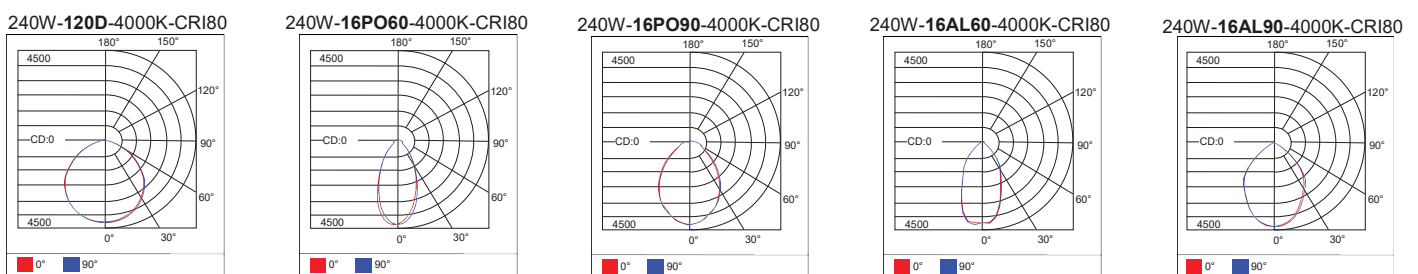
PRODUCT SERIES	TYPE	VOLTAGE	POWER	CRI	COLOR TEMPERATURE	DIMMING	BEAM ANGLES	FINISH	LENS	MOUNTING	ACCESSORIES
HB	UFO - UFO	CUNV - 120-347V HV - 200-480V	240W - 240 WATTS	80 - 80+ (Standard) 90 - 90+	(CT 30) 3000K (CT 40) 4000K (CT 50) 5000K	DIM - 0-10V	120D - 120° (Without Reflector)	BK - BLACK (Standard)	GCL - Glass Clear (Standard) PCL - PC Clear PFR - PC Frosted GFR - Glass Frosted	EB - Eye-bolt (Standard) CB - Ceiling bracket (optional)	NA - No Accessories OS - Microwave Occupancy Sensor WGB1 - Black Wire Guard WGW1 - White Wire Guard M10-1/4" - M10-1/4" Adaptor (CUNV only) M10-1/2" - M10-1/2" Adaptor (CUNV only) M10-3/4" - M10-3/4" Adaptor (CUNV only) M12-1/4" - M12-1/4" Adaptor (HV only) M12-1/2" - M12-1/2" Adaptor (HV only) M12-3/4" - M12-3/4" Adaptor (HV only) 16PO60 - 16" 60D Polycarbonate Reflector 16POBL60 - 16" 60D Polycarbonate Bottom Lens 16PO90 - 16" 90D Polycarbonate Reflector 16POBL90 - 16" 90D Polycarbonate Bottom Lens 19PO60 - 19" 60D Polycarbonate Reflector 19POBL60 - 19" 60D Polycarbonate Bottom Lens 19PO90 - 19" 90D Polycarbonate Reflector 19POBL90 - 19" 90D Polycarbonate Bottom Lens 22PO70S - 22" 70D Polycarbonate Reflector 22POBS70 - 22" 70D Polycarbonate Bottom Lens 16AL60 - 16" Aluminum 60° Reflector 16AL90 - 16" Aluminum 90° Reflector ID - Inline Disconnector Pre-Installed

Sample: HB-UFO-CUNV-240W-80-CT30-DIM-120D-BK-GCL-EB-NA

## DIMENSIONS



## DIAGRAM



# HB- UFO SPEC SHEET

HB-UFO-300W

## PRODUCT INFORMATION (300W)

INSTALLATION	Eye-bolt with bracket (HV), Eye-bolt (Standard UNV), Ceiling bracket (Optional)
MATERIAL	Aluminum
FINISH	Powder coat
SYSTEM POWER (W)	300W
FIXTURE LUMEN OUTPUT (lm)	39000
SYSTEM EFFICIENCY (lm/W)	130
LED DRIVER	Intergrated



## PACKAGING

NEW WEIGHT LAMP (kg/lb)	5.50 / 12.12
GROSS WEIGHT CARTON (kg/lb)	6.00 / 13.22
MASTER CARTON DIMENSIONS (mm/in)	385 x 385 x 200 / 15.1 x 15.1 x 7.9
QUANTITY PER CARTON	1

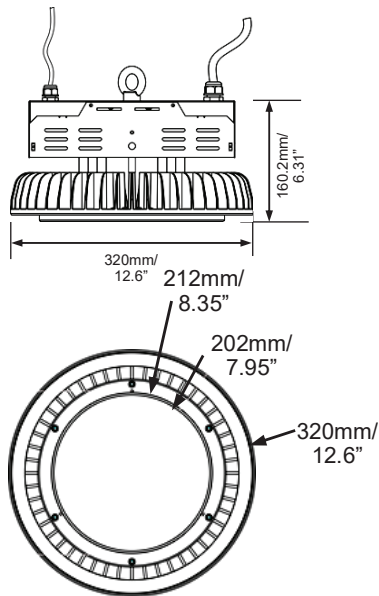
## ORDERING LOGIC

PRODUCT SERIES	TYPE	VOLTAGE	POWER	CRI	COLOR TEMPERATURE	DIMMING	BEAM ANGLES	FINISH	LENS	MOUNTING	ACCESSORIES
HB	UFO - UFO	CUNV - 120-347V HV - 200-480V	300W - 300 WATTS	80 - 80+ (Standard) 90 - 90+	(CT 30) 3000K (CT 40) 4000K (CT 50) 5000K	DIM - 0-10V	120D - 120° (Without Reflector)	BK - BLACK (Standard)	GCL - Glass Clear (Standard) PCL - PC Clear PFR - PC Frosted GFR - Glass Frosted	EBB - Eye-bolt with bracket (HV) EB - Eye-bolt (Standard UNV) CB - Ceiling bracket (Optional)	NA - No Accessories OS - Microwave Occupancy Sensor WGB1 - Black Wire Guard WGW1 - White Wire Guard M10-1/4" - M10-1/4" Adaptor (CUNV only) M10-1/2" - M10-1/2" Adaptor (CUNV only) M10-3/4" - M10-3/4" Adaptor (CUNV only) M12-1/4" - M12-1/4" Adaptor (HV only) M12-1/2" - M12-1/2" Adaptor (HV only) M12-3/4" - M12-3/4" Adaptor (HV only) 16PO60 - 16° 60D Polycarbonate Reflector 16POBL60 - 16° 60D Polycarbonate Bottom Lens 16PO90 - 16° 90D Polycarbonate Reflector 16POBL90 - 16° 90D Polycarbonate Bottom Lens 19PO60 - 19° 60D Polycarbonate Reflector 19POBL60 - 19° 60D Polycarbonate Bottom Lens 19PO90 - 19° 90D Polycarbonate Reflector 19POBL90 - 19° 90D Polycarbonate Bottom Lens 22PO70S - 22° 70D Polycarbonate Reflector 22POBS70 - 22° 70D Polycarbonate Bottom Lens 16AL60 - 16° Aluminum 60° Reflector 16AL90 - 16° Aluminum 90° Reflector ID - Inline Disconnector Pre-Installed

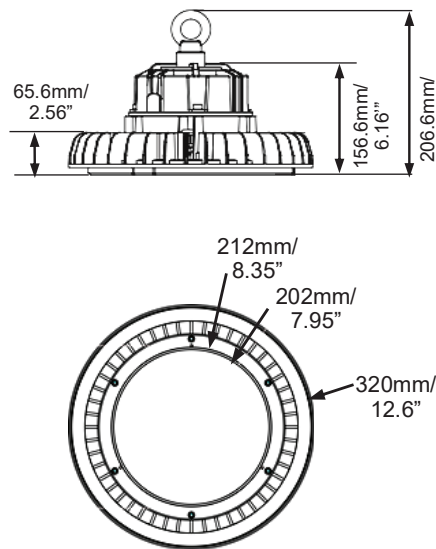
Sample: HB-UFO-CUNV-300W-80-CT30-DIM-120D-BK-GCL-EB-NA

## DIMENSIONS

VERSION  
200-480V

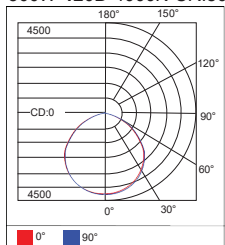


VERSION  
100-277V

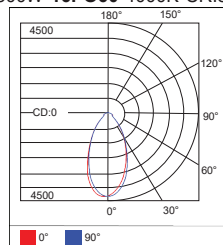


## DIAGRAM

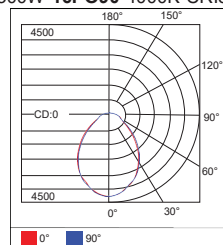
300W-120D-4000K-CRI80



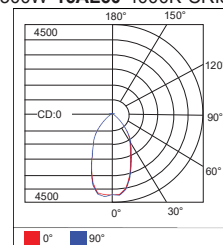
300W-16PO60-4000K-CRI80



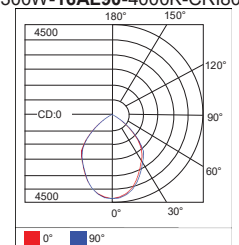
300W-16PO90-4000K-CRI80



300W-16AL60-4000K-CRI80



300W-16AL90-4000K-CRI80



# HB- UFO SPEC SHEET

HB-UFO-400W

## PRODUCT INFORMATION (400W)

INSTALLATION	Eye-bolt with bracket
MATERIAL	Aluminum
FINISH	Powder coat
SYSTEM POWER (W)	400W
FIXTURE LUMEN OUTPUT (lm)	52000
SYSTEM EFFICIENCY (lm/W)	130
LED DRIVER	Intergrated



## PACKAGING

NEW WEIGHT LAMP (kg/lb)	10.61 / 23.40
GROSS WEIGHT CARTON (kg/lb)	11.61 / 25.60
MASTER CARTON DIMENSIONS (mm/in)	440 x 440 x 28 / 17.3 x 17.3 x 11
QUANTITY PER CARTON	1

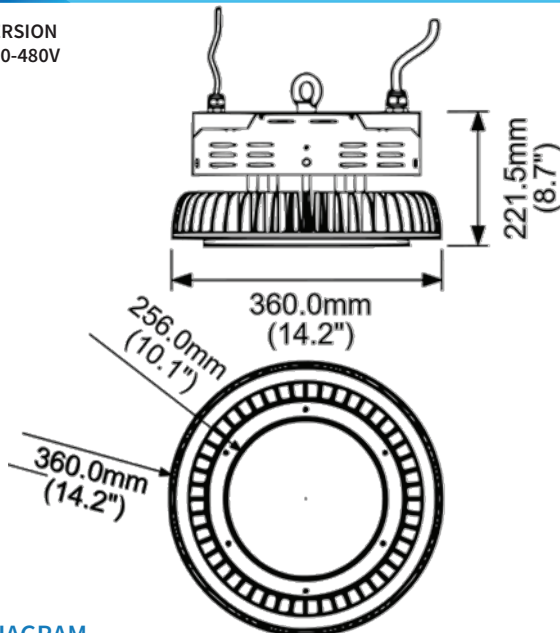
## ORDERING LOGIC

PRODUCT SERIES	TYPE	VOLTAGE	POWER	CRI	COLOR TEMPERATURE	DIMMING	BEAM ANGLES	FINISH	LENS	MOUNTING	ACCESSORIES
HB	UFO - UFO	CUNV - 120-347V HV - 200-480V	400W - 400 WATTS	80 - 80+ (Standard) 90 - 90+	(CT 30) 3000K (CT 40) 4000K (CT 50) 5000K	DIM - 0-10V	120D - 120° (Without Reflector)	BK - BLACK (Standard)	GCL - Glass Clear (Standard) PCL - PC Clear PFR - PC Frosted GFR - Glass Frosted	EBB - Eye-bolt with bracket	NA - No Accessories OS - Microwave Occupancy Sensor WGB2 - Black Wire Guard WGW2 - White Wire Guard M12-1/4" - M12-1/4" Adaptor M12-1/2" - M12-1/2" Adaptor M12-3/4" - M12-3/4" Adaptor 22PO70S - 22° 70D Polycarbonate Reflector 22POBS70 - 22° 70D Polycarbonate Bottom Lens ID - Inline Disconnector Pre-Installed

Sample: HB-UFO-CUNV-400W-80-CT30-DIM-120D-BK-GCL-EB-NA

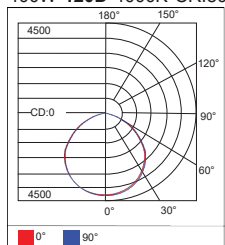
## DIMENSIONS

VERSION  
200-480V

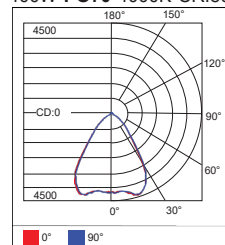


## DIAGRAM

400W-120D-4000K-CRI80



400W-PO70-4000K-CRI80



# HB- UFO SPEC SHEET

HB-UFO-500W

## PRODUCT INFORMATION (500W)

INSTALLATION	Eye-bolt with bracket
MATERIAL	Aluminum
FINISH	Powder coat
SYSTEM POWER (W)	500W
FIXTURE LUMEN OUTPUT (lm)	65000
SYSTEM EFFICIENCY (lm/W)	130
LED DRIVER	Intergrated



## PACKAGING

NEW WEIGHT LAMP (kg/lb)	11.70 / 25.80
GROSS WEIGHT CARTON (kg/lb)	12.70 / 28.00
MASTER CARTON DIMENSIONS (mm/in)	440 x 440 x 28 / 17.3 x 17.3 x 11
QUANTITY PER CARTON	1

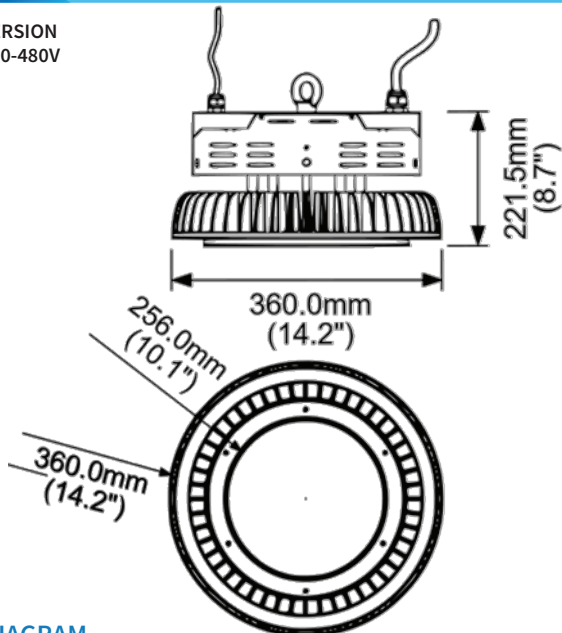
## ORDERING LOGIC

PRODUCT SERIES	TYPE	VOLTAGE	POWER	CRI	COLOR TEMPERATURE	DIMMING	BEAM ANGLES	FINISH	LENS	MOUNTING	ACCESSORIES
HB	UFO - UFO	CUNV - 120-347V HV - 200-480V	500W - 500 WATTS	80 - 80+ (Standard) 90 - 90+	(CT 30) 3000K (CT 40) 4000K (CT 50) 5000K	DIM - 0-10V	120D - 120° (Without Reflector)	BK - BLACK (Standard)	GCL - Glass Clear (Standard) PCL - PC Clear PFR - PC Frosted GFR - Glass Frosted	EBB - Eye-bolt with bracket (HV) EB - Eye-bolt (Standard UNV) CB - Ceiling bracket (Optional)	NA - No Accessories OS - Microwave Occupancy Sensor WGB2 - Black Wire Guard WGW2 - White Wire Guard M12-1/4" - M12-1/4" Adaptor M12-1/2" - M12-1/2" Adaptor M12-3/4" - M12-3/4" Adaptor 22PO70S - 22° 70D Polycarbonate Reflector 22POBS70 - 22° 70D Polycarbonate Bottom Lens ID - Inline Disconnecter Pre-Installed

Sample: HB-UFO-CUNV-500W-80-CT30-DIM-120D-BK-GCL-EB-NA

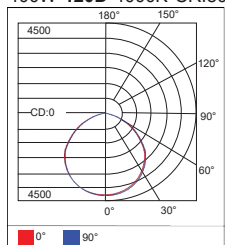
## DIMENSIONS

VERSION  
200-480V

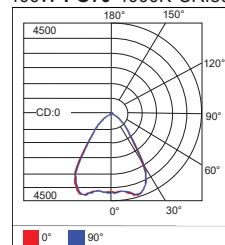


## DIAGRAM

400W-120D-4000K-CRI80



400W-PO70-4000K-CRI80



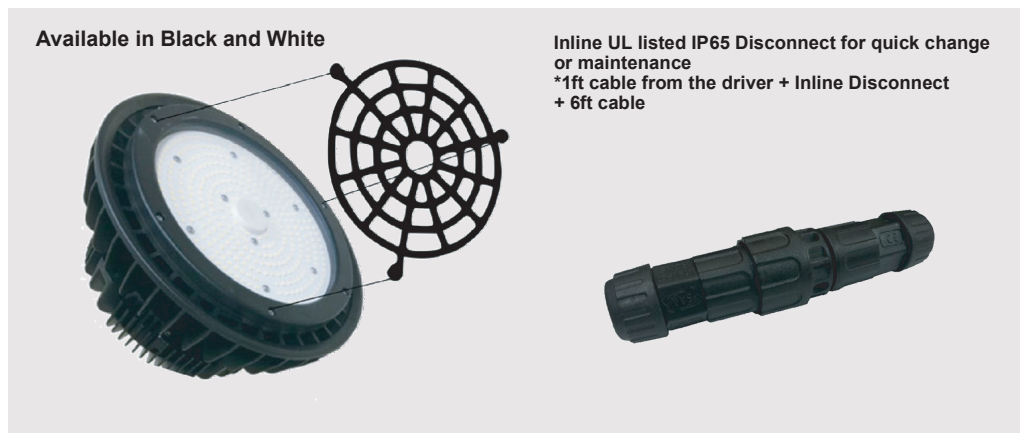


## CONSTRUCTION

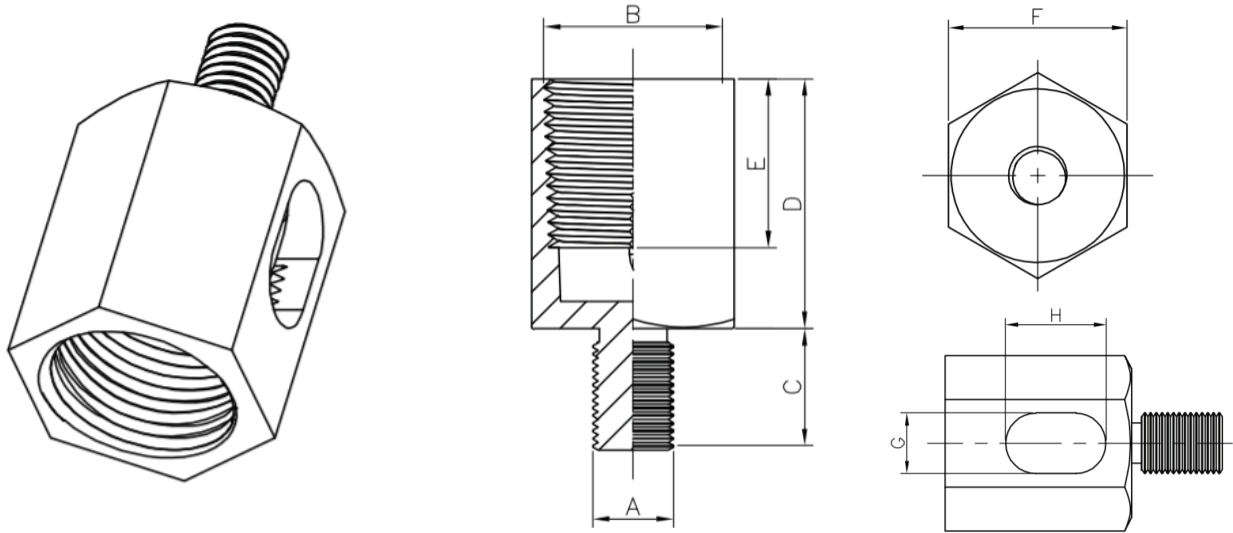


## ACCESSORIES

WIRE GUARD &  
INLINE DISCONNECT PRE-  
INSTALLED



## ADAPTOR'S DIMENSION



UNIT: mm

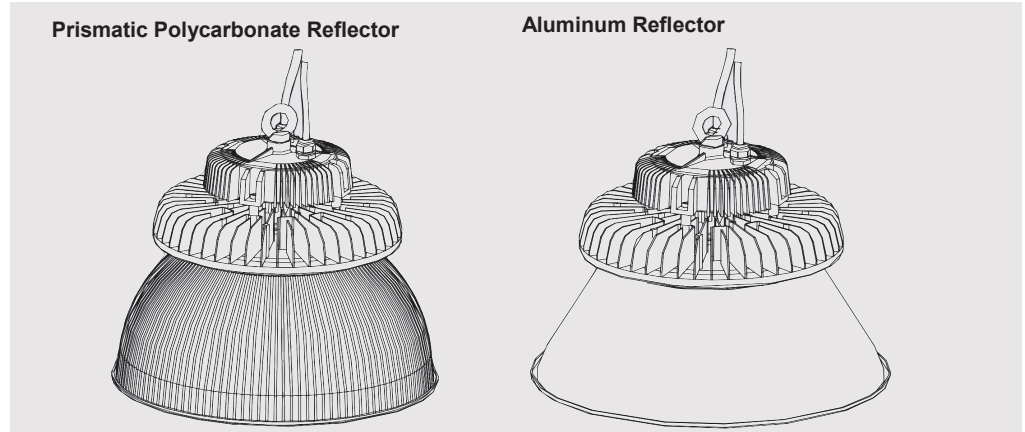
A	B	C	D	E	F	G	H
M10X1.5 Adaptor	1/2"-14 NPT	18	37	25	30	13	23
	1/4"-14 NPT	18	37	25	25	13	23
	3/4"-14 NPT	18	37	25	30	12	20
M12X1.75 Adaptor	1/2"-14 NPT	18	37	25	30	13	23
	1/4"-14 NPT	18	37	25	25	13	23
	3/4"-14 NPT	18	37	25	30	12	20

UNIT: in

A	B	C	D	E	F	G	H
M10X1.5 Adaptor	1/2"-14 NPT	0.71	1.46	0.98	1.18	0.51	0.91
	1/4"-14 NPT	0.71	1.46	0.98	0.98	0.51	0.91
	3/4"-14 NPT	0.71	1.46	0.98	1.18	0.47	0.79
M12X1.75 Adaptor	1/2"-14 NPT	0.71	1.46	0.98	1.18	0.51	0.91
	1/4"-14 NPT	0.71	1.46	0.98	0.98	0.51	0.91
	3/4"-14 NPT	0.71	1.46	0.98	1.18	0.47	0.79

## ACCESSORIES

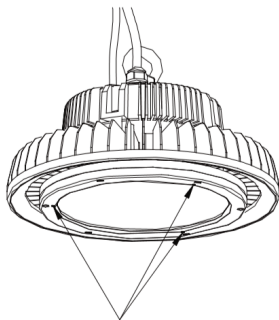
### REFLECTOR



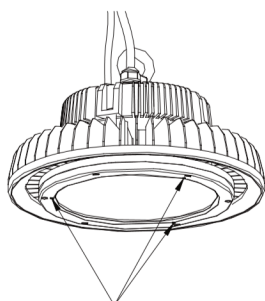
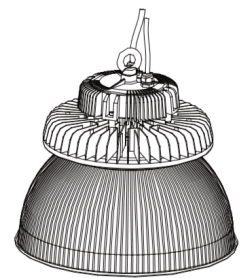
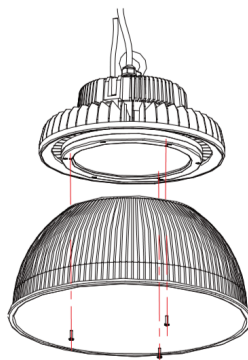
### POLYCARBONATE BOTTOM LENS



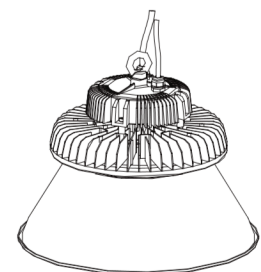
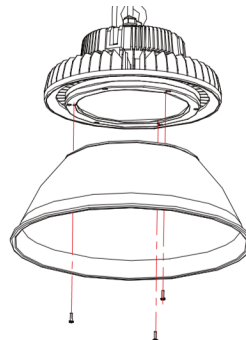
### REFLECTOR INSTALLATION



Install Mounting Ring



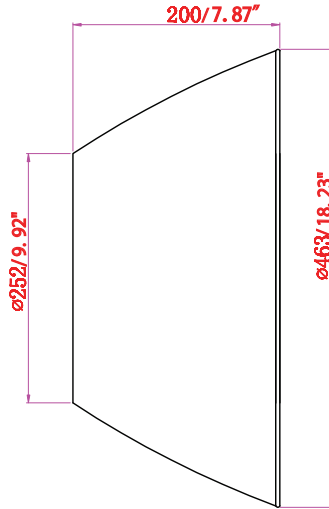
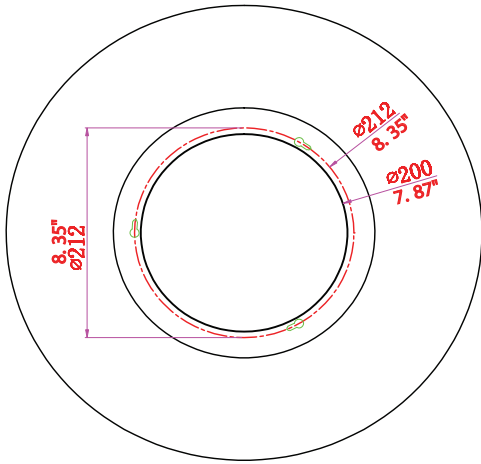
Install Mounting Ring



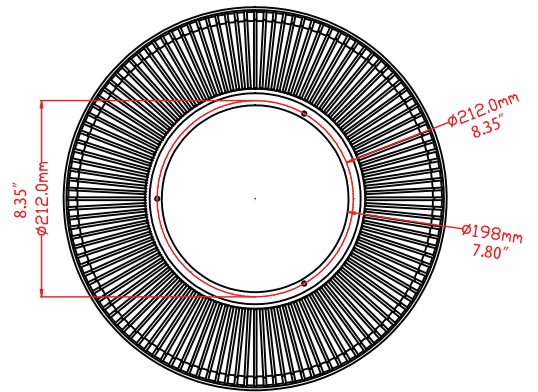
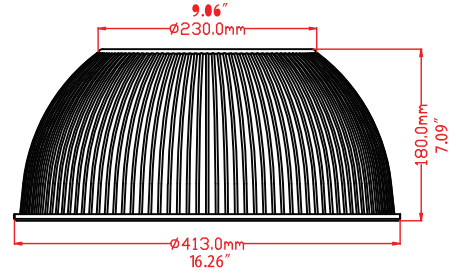
HB-UFO

## REFLECTOR DIMENSIONS 1 OF 2

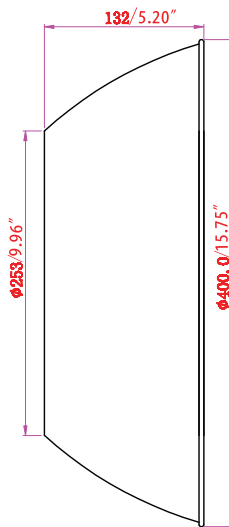
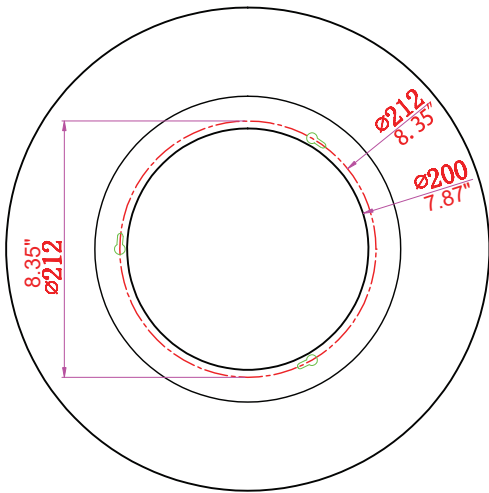
**16"**  
**60° Aluminum**  
**100W/150W/200W/240W/300W**



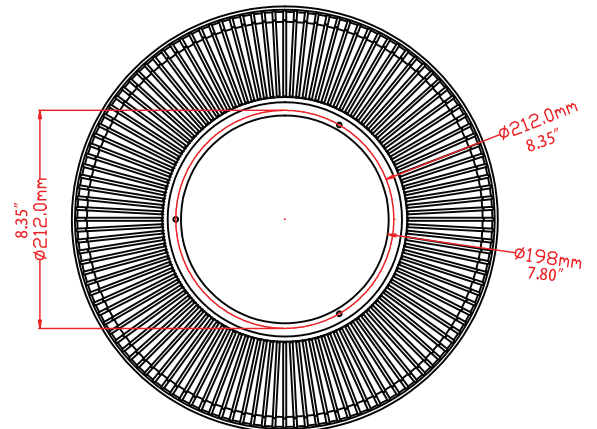
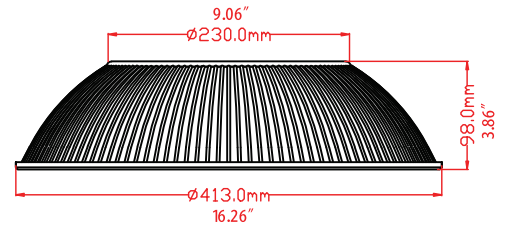
**60° Polycarbonate**  
**100W/150W/200W/240W/300W**



**90° Aluminum**  
**100W/150W/200W/240W/300W**



**90° Polycarbonate**  
**100W/150W/200W/240W/300W**

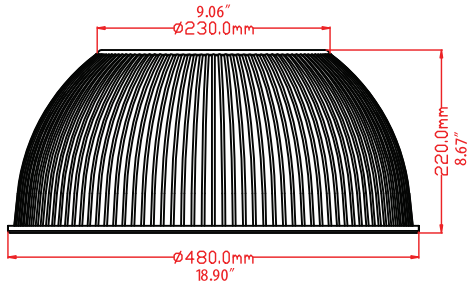


HB-UFO

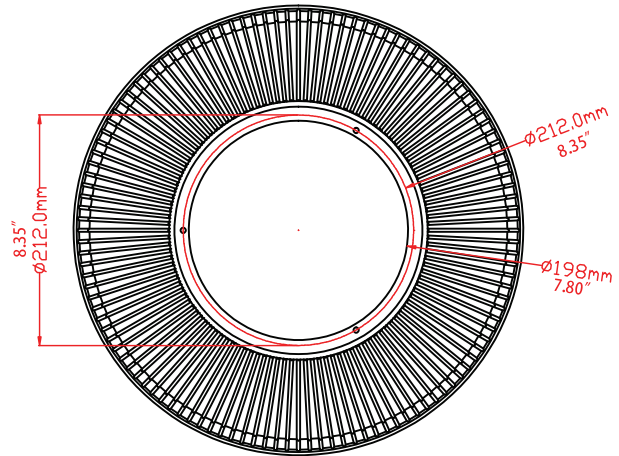
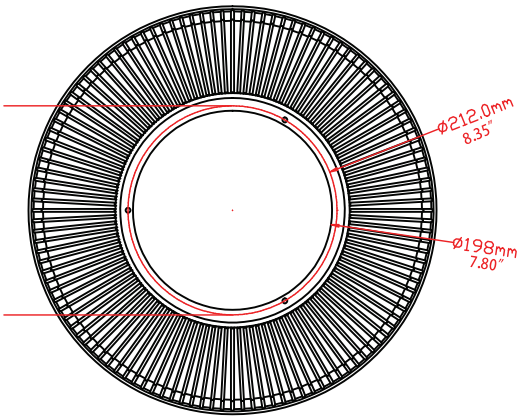
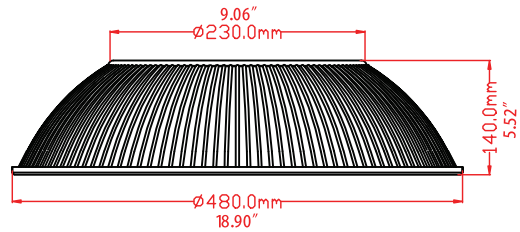
## REFLECTOR DIMENSIONS 2 OF 2

19"

60° Polycarbonate  
100W/150W/200W/240W/300W

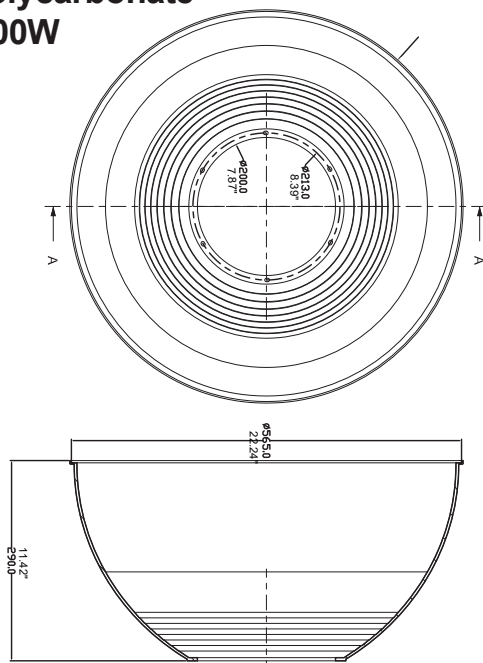


90° Polycarbonate  
100W/150W/200W/240W/300W

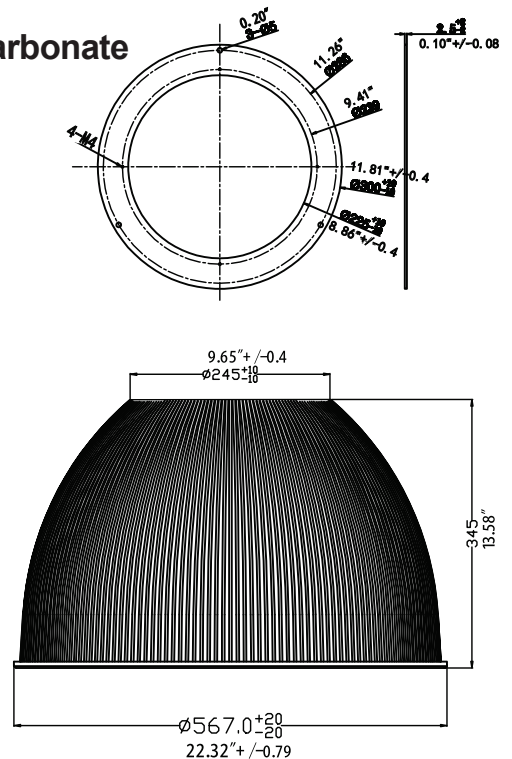


22"

70° Polycarbonate  
100-300W



70° Polycarbonate  
400-500W

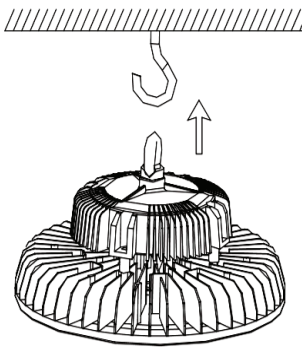


## MOUNTING OPTIONS EB EYE-BOLT

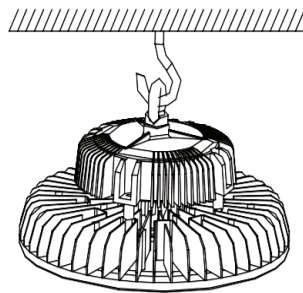
### EB Eye-Bolt



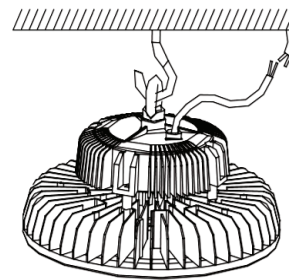
### INSTALLATION: EB EYE-BOLT (Standard)



Install hook in ceiling



Hang Fixture

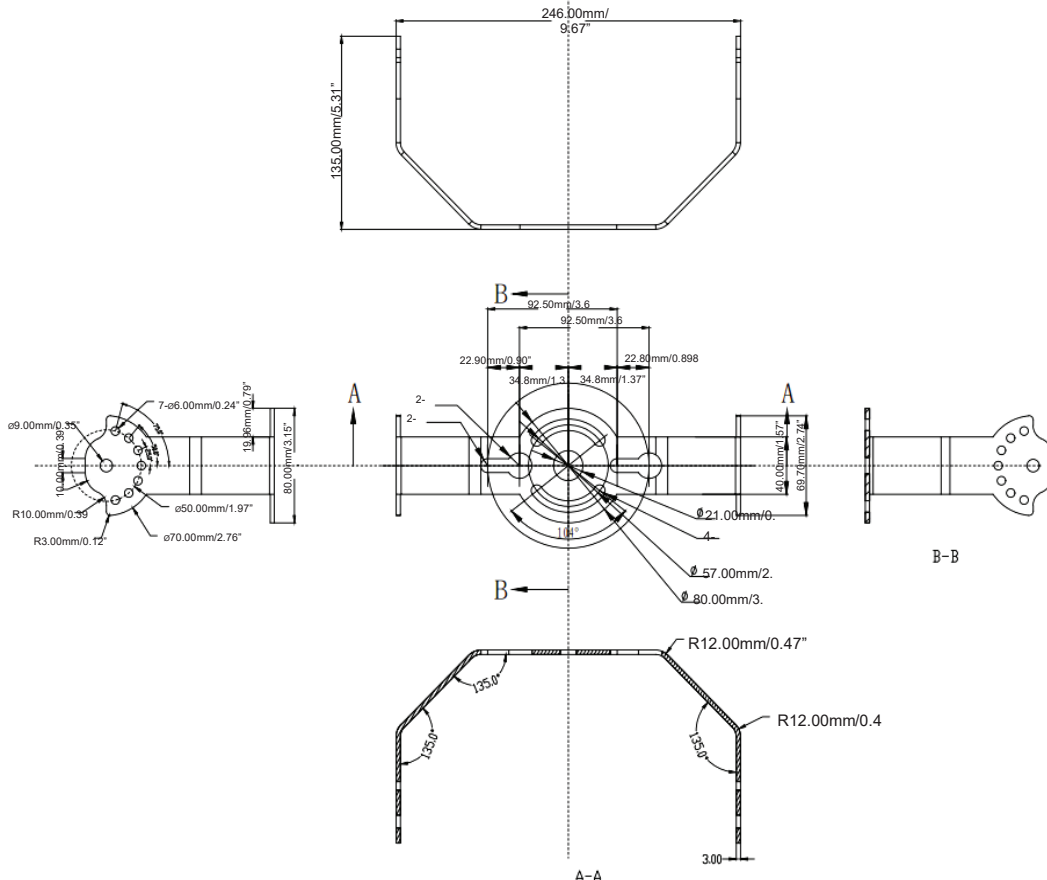


AC100-277V  
All wiring finished  
inside the junction  
box.

Connect the wiring; black-L,  
white-N, Yellow green - Ground.  
Ensure waterproofing where re-  
quired

## CEILING BRACKET OPTION DRAWING 1 OF 2

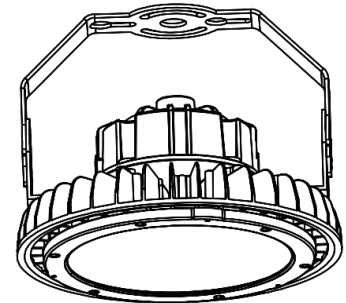
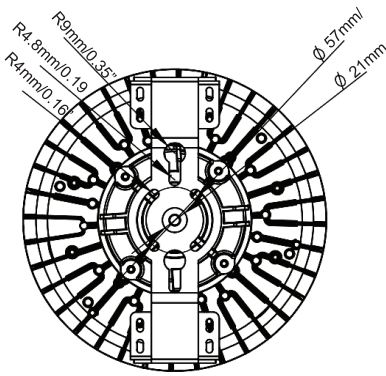
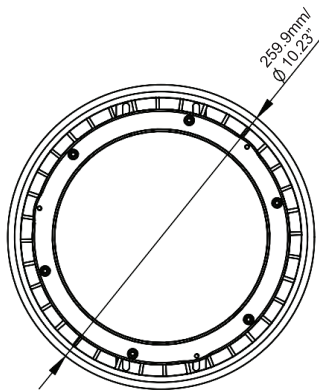
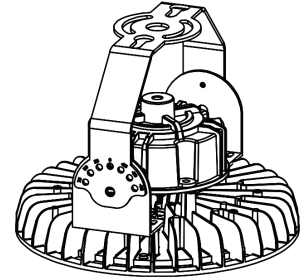
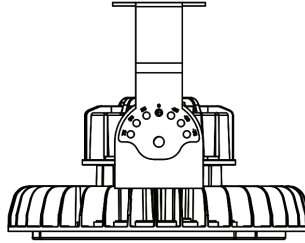
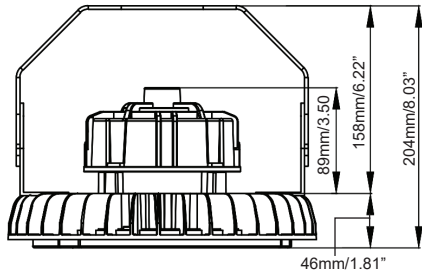
### Ceiling Bracket Option



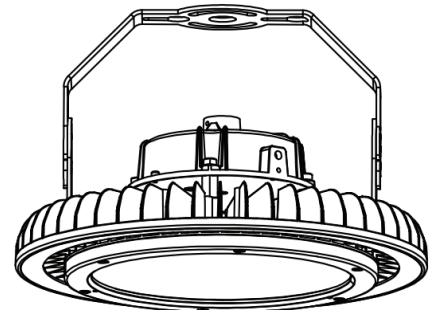
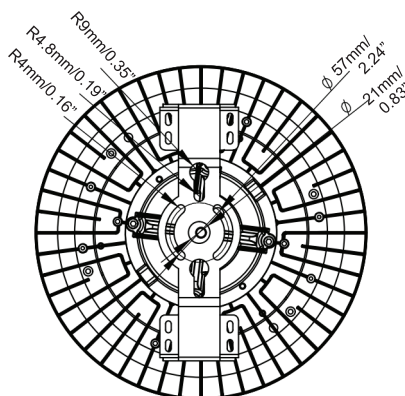
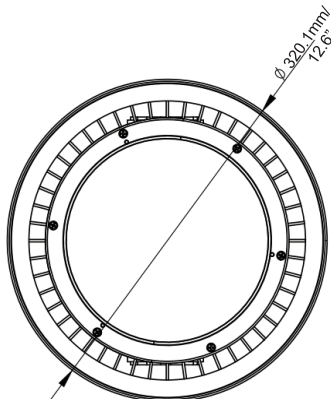
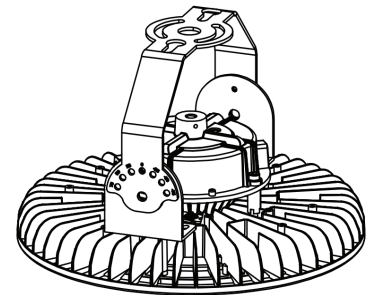
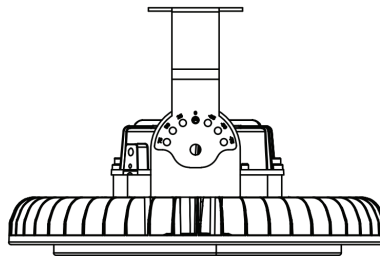
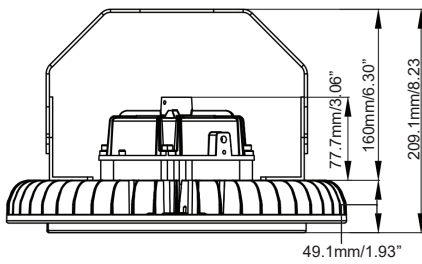
HB-UFO

## CEILING BRACKET OPTION DRAWING 2 OF 2

For 100W-200W (CUNV and HV)



For 240W (CUNV and HV) and 300W UNV

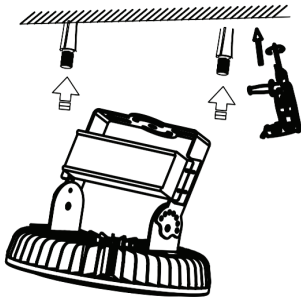


## MOUNTING OPTIONS CEILING BRACKET

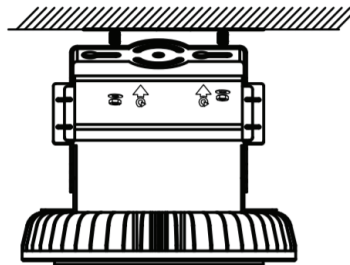
### Ceiling Bracket For 300W(HV) & 400W-500W (UNV and HV)



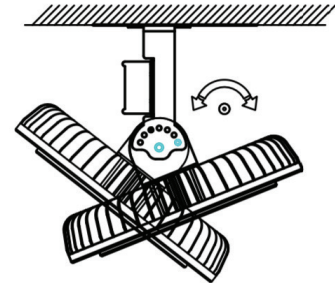
### INSTALLATION: CEILING BRACKET



Drill holes in the ceiling and install the Expansion screws.



Attach the bracket.



Adjust the bracket to the beam angle you need.

### SAFETY CABLE INSTALLATION

