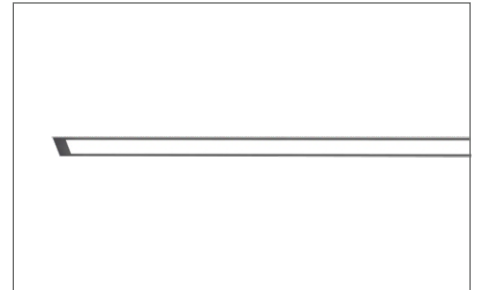


APERTURE-60 TRIM

APR60-TR

Mono IP20 CE

YYZ Aperture is recessed architectural luminaire made of extruded aluminium, equipped with high power LED light source and optical lens with a wide range of color temperature which provide superior color consistency and high CRI. This linear LED luminaire is designed to produce a uniform distribution of diffused light and is suitable for ceiling and wall.



FEATURES

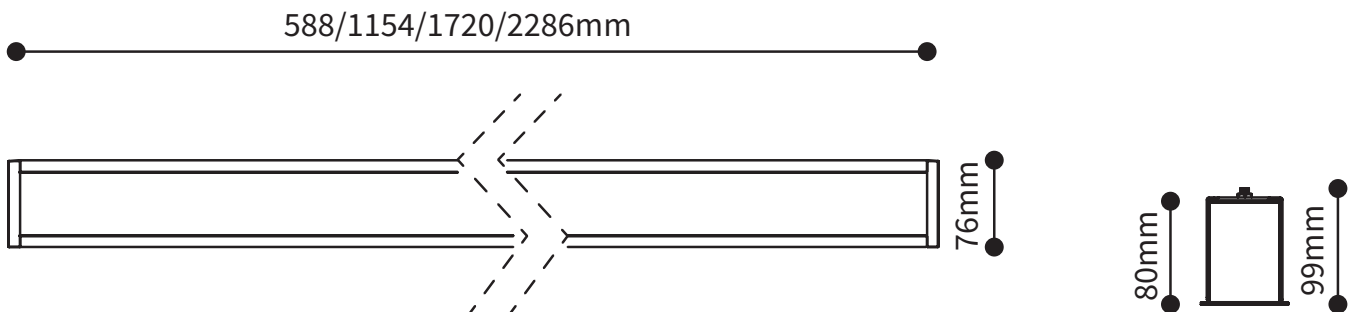
HOUSING	Extruded aluminium
BEAM ANGLE	110°
MOUNTING	Ceiling recessed
OPTIC	PMMA Milky
DIMENSIONS	588, 1154, 1720, 2286x76x99mm
OPERATION TEMP	-20° C - +35° C
LAMP LIFE	50,000 hrs
AVAILABLE LENGTH	588, 1154, 1720, 2286mm
CONTROL	On/Off, 1-10V, Dali
LUMEN	948lm, 1896lm, 2844lm, 3792lm

CREE/SAMSUNG
LED Quality

277V AC
Working Voltage

16W/mtr, 30W/mtr, 46W/mtr, 61W/mtr
Rated power

DIMENSION



ORDERING LOGIC

PRODUCT	WATTAGE	COLOR TEMPERATURE	DRIVER	FIXTURE LENGTH	FINISH
APR60-TR	16 - 16W/Mtr	(CT27) 2700K	SW - ON-OFF	58 - 588mm	BK - Black
	30 - 30W/Mtr	(CT30) 3000K	AN - 0-10V	115 - 1154mm	WH - White
	46 - 46W/Mtr	(CT35) 3500K	DA - Dali	172 - 1720mm	
	61 - 61W/Mtr	(CT40) 4000K		228 - 2286mm	
		(CT50) 5000K		XX - Custom	

Sample: APR60-TR - 16 - CT27 - SW - 58 - BK