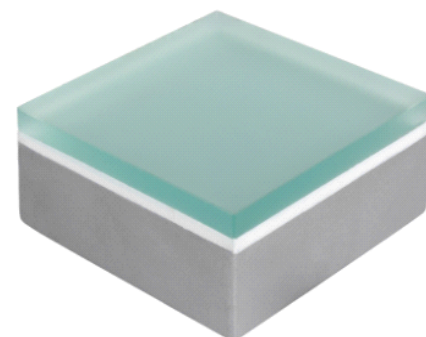


ZIRCON FLOOR TILE

ZCN 60.60-Mono

IP67 CE IK10

YYZ ZIRCON floor tiles emit a subtle soft glow with a choice to change colors automatically through a controller compatible with DMX512 protocol. Combination of visual effects such as breathing, jumping makes the landscape design a feast for the eyes. Frequent applications include public areas landscape lighting, shopping malls, squares, plazas, driveways, walkways, patios, resorts, etc. It has Rugged construction which allows vehicle drive over capacity of upto 2000kg (pneumatic tyres at a maximum speed of 25km/hr)



FEATURES

BODY MATERIAL	Die-cast aluminum body
FINISH	Silver Anodised
WORKING VOLTAGE	24V dc (Remote power supply)
RATED POWER	1W, 2W
BEAM ANGLE	110°x110°
MOUNTING	Floor recessed
CONNECTION	Outdoor rated connections
LAMP LIFE	50,000 hrs
DIMENSIONS	60x60x55mm
OPERATION TEMP	-25° C - +50° C
CONTROL	On/Off, Dali, DMX

CREE/LUMILEDS
LED Quality

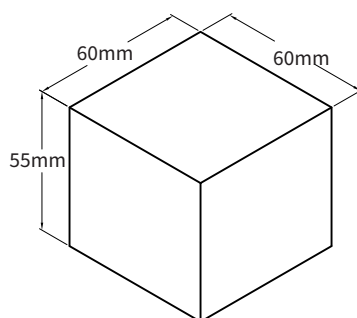
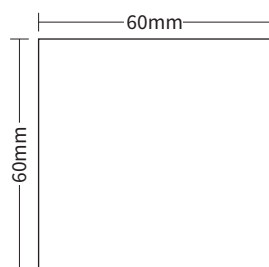
24V DC
Working Voltage

1W/2W
Rated power

ELECTRICAL DATA

POWER CONSUMPTION	1W, 2W
SUPPLY VOLTAGE	24 V dc
CRI	80+
COLORS	2700K, 3000K, 4000K, 5000K, Red, Green, Blue, Amber

DIMENSIONS



ORDERING LOGIC

PRODUCT	WATTAGE	COLOR TEMPERTURE	CONTROL		
ZCN 60.60	1 - 1W	(CT27)	2700K	SW - On/Off	
		(CT30)	3000K	DA - Dali	
	2 - 2W	(CT40)	4000K	DX - DMX	
		(CT50)	5000K		
		(RD)	Red		
		(GR)	Green		
		(BL)	Blue		
		(AM)	Amber		
		Sample: ZCN 60.60 - 1 - CT27 - SW			