

# DOME SERIES

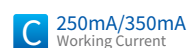
## DOE-SQ100

Mono IP54 CE

YYZ Dome series of architectural downlight features glare free performance with the ultra wide beam angle. Available in variety of sizes to accommodate wattage. Making it versatile for applications with ceiling heights.

### FEATURES

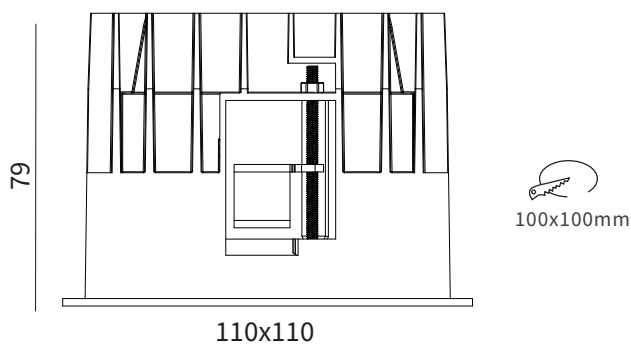
MATERIAL	Aluminum
FINISH	White
RATED POWER	9W, 13W
WORKING CURRENT	260mA, 350mA
RADIANCE ANGLE	60°
MOUNTING	Ceiling recessed
CONNECTION	Indoor rated connections
LAMP LIFE	50,000 Hrs
DIMENSION	110x110 x 79mm (Cutout 100x100mm)
OPERATING TEMP	-20° C - +50° C
CONTROL	Non-Dim, 1-10V, Dali



### ELECTRICAL DATA

POWER CONSUMPTION	9W, 13W
SUPPLY VOLTAGE	220-240V AC
COLORS	2700K, 3000K, 4000K
CRI	80, 90
LUMEN	900-950lm @ 9W, 1200-1300lm @ 13W

### DIMENSIONS



### ORDERING LOGIC

PRODUCT	WATTAGE	COLOR TEMPERATURE	BEAM ANGLE	FINISH	REFLECTOR FINISH	
DOE SQ 100	9 - 9W	(CT27)	2700K	60 - 60°	WH - White	MA - Matt
	13 - 13W	(CT30)	3000K		XX - Custom	WH - White
		(CT40)	4000K			BK - Black

Sample: DOE SQ 100 - 9 - CT27 - 60 - WH - MA