

CHARISMA- B SERIES

CSA-B

IP40 IK06

YYZ Charisma series of decorative pendant features decorative, yet robust heat sink. Optics made of decorative polycarbonate prismatic refractor adds sparkling element with quality volumetric illumination to the space. Options of metallic reflectors in Aluminium with beam angles of 60°, 75°, 90°. Preferred application areas include educational premises, showrooms, halls etc. Tunable option available.



FEATURES

FINISH	Grey housing, White
LAMP LIFE	L80 B50, 100,000 Hours
MOUNTING	Suspended/Rail track installation
CONNECTION	Indoor rated connections
BEAM ANGLE	60°, 75°, 90°
DIMENSION	Ø310x217mm
OPERATION TEMP	-30°C ~ +50°C
MacAdam	3SDCM, 2SDCM
WEIGHTS	2.50kg
MATERIAL	Die-cast aluminum and PC refractor, Metal reflector

ELECTRICAL DATA

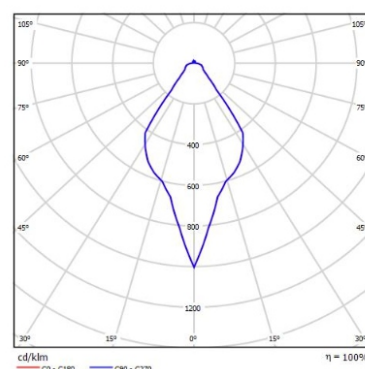
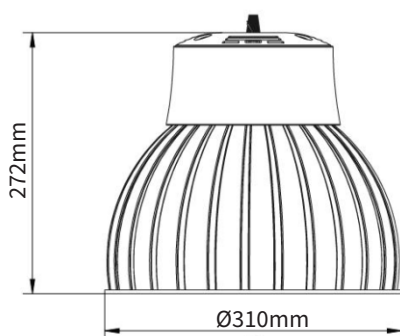
POWER CONSUMPTION	25W, 32W, 60W
CONTROL	On/Off, Dali
INPUT VOLTAGE AC	220-240V AC
CRI	Ra>80
COLORS	3000K/4000K/5000K (Tunable)
LUMINARIE EFFICIENCY	120lm/W

PHILIPS, EPISTAR, NICHIA, SAMSUNG, LUMILEDS, BRIDGELUX, OSRAM
LED Quality

220-240V AC
Working Voltage

25W/32W/60W
Rated power

DIMENSIONS



ORDERING LOGIC

PRODUCT	WATTAGE	BEAM ANGLE	COLOR TEMPERATURE	INPUT VOLTAGE	FINISH	CONTROL	ACCESSORIES			
CSA-B	25 - 25W	75 - 75°	(CT 30)	AC - 220-240V AC	GR - Grey	SW - On/Off	RE - Reflectors			
	32 - 32W		(CT 40)				4000K	WH - White	DA - DALI	MS - Motion sensor
	60 - 60W		(CT 50)				5000K			PIR - PIR Sensor
							DS - Day light sensor(Optional)			

Sample: CSA-B - 25 - 75 - CT30 - AC - GR - SW - RE

INSTALLATION MANUAL

