

LARVA SPIKE FLOOD

LRV FL

Mono IP66 CE

Sleek and sturdy spike mounted floodlight ideal for washing or highlighting medium sized objects . High power LED and specially designed optics ensure glare free illumination . The design and color options available make LRV-1.5 easily blend with landscape .

FEATURES

MATERIAL	Aluminum
TRIM FINISH	Black
RATED POWER	1.5W
WORKING	350mA
BEAM ANGLE	91°
MOUNTING	Spike mounted
LAMP LIFE	50,000 hrs
DIMENSIONS	16x20x500mm
OPERATION TEMP	-20° C - +50° C
CONTROL	Switched, 1-10V, Dali, Triac (Driver based)
SDCM	2



OSRAM
LED Quality

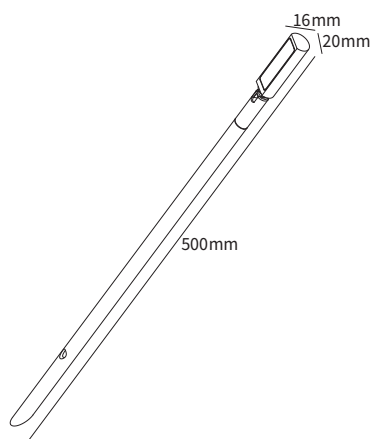
350mA
Working Current

1.5W
Rated power

ELECTRICAL DATA

POWER CONSUMPTION	1.5W
COLORS	2700K, 3000K, 4000K
CRI	>90
LUMEN	92lm

DIMENSIONS



ORDERING LOGIC

PRODUCT	WATTAGE	COLOR TEMPERATURE	CONTROL	BEAM ANGLE	FINISH	CUSTOM	
LRV FL	1.5 - 1.5W	(CT27)	2700K	SW - Switched	91° - 91°	BK - Black	XX - XX
		(CT30)	3000K	AN - 1-10V			
		(CT40)	4000K	DA - Dali			
				TR - Triac			

Sample: LRV FL - 1.5 - CT27 - SW - 91 - BK - XX