

EMERALD

EMD-SQ

Mono IP54 CE

YYZ Emerald light is a type of adjustable indoor downlight in die-cast aluminum perfect for general and accent lighting. These recessed ceiling mounted downlights are with symmetrical light distribution that help to deliver glare free illumination. Its discrete, elegant design make it perfect for applications in areas like residential, commercial or hospitality spheres.

FEATURES

MATERIAL	Aluminum
FINISH	White, Black
RATED POWER	30W
WORKING CURRENT	700mA
RADIANCE ANGLE	24°, 38°
MOUNTING	Ceiling recessed mounted
CONNECTION	Indoor rated connections
LAMP LIFE	50,000 Hrs
DIMENSION	165x165x77mm(Cutout 150x150mm)
OPERATING TEMP	-20° C - +50° C
CONTROL	On/Off



CITIZEN
LED Quality

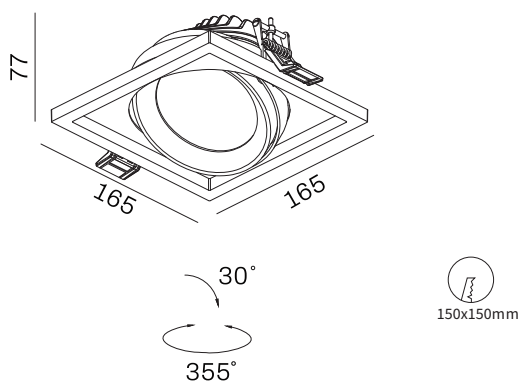
700mA
Working Current

30W
Rated power

ELECTRICAL DATA

POWER CONSUMPTION	30W
SUPPLY VOLTAGE	240V AC
COLORS	2700K, 3000K, 4000K
CRI	90
LUMEN	2313lm

DIMENSIONS



ORDERING LOGIC

PRODUCT	WATTAGE	COLOR TEMPERATURE		BEAM ANGLE		FINISH	CUSTOM
EMD-SQ	30 - 30W	(CT27)	2700K	24	- 24°	WH - White	xx
		(CT30)	3000K	38	- 38°	BK - Black	
		(CT40)	4000K				

Sample: EMD-SQ - 30 - CT27 - 24 - WH - XX