

NEUTRINO-R TRIMLESS

NTN-R

Mono IP40 **CE**

YYZ Neutrino-R lights are miniature downlights in aluminum housing which are designed for wet area applications like jacuzzi, toilets, balcony, exterior entrance that demands water proof construction and resistance to corrosion. These recessed ceiling-mounted downlights with symmetrical light distribution to achieve an effective task or ambient lighting.

FEATURES

| | |
|-----------------|----------------------------|
| MATERIAL | Aluminum |
| FINISH | Grey |
| RATED POWER | 9W |
| WORKING VOLTAGE | 100-240V ac |
| RADIANCE ANGLE | 16°, 25°, 35° |
| MOUNTING | Ceiling recessed |
| CONNECTION | Indoor rated connections |
| LAMP LIFE | 50,000 Hrs |
| DIMENSION | Ø73 x 93mm(CutoutØ75mm) |
| OPERATING TEMP | -30° C - +50° C |
| CONTROL | On/Off, 1-10V, Dali, Triac |
| OPTICS | Lens |

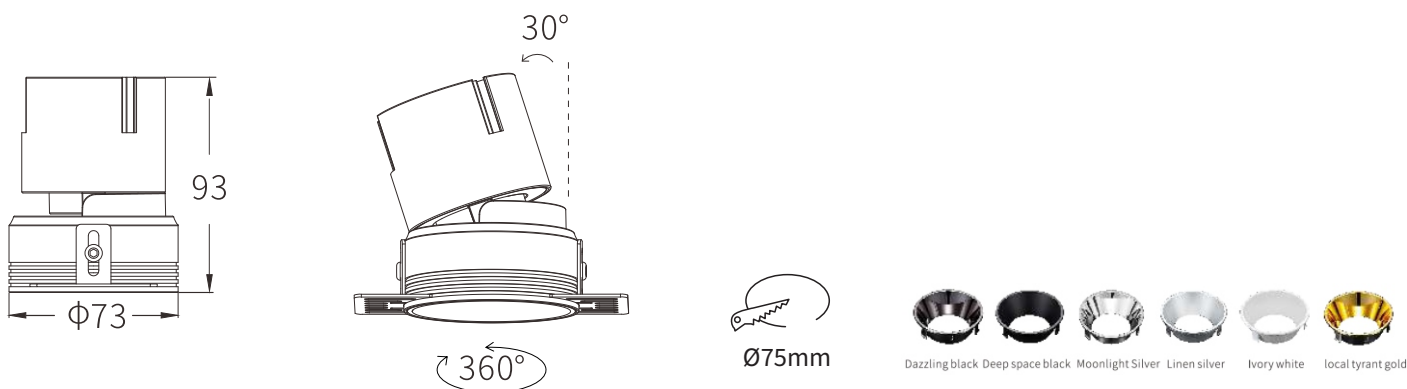


- CITIZEN LED Quality
- 240V AC Working Voltage
- 9W Rated power

ELECTRICAL DATA

| | |
|-------------------|-----------------------------------|
| POWER CONSUMPTION | 9W |
| SUPPLY VOLTAGE | 100-240V ac |
| COLORS | 2700K, 3000K, 4000K, 5000K, 6000K |
| CRI | 90 |
| LUMEN | 100lm/W |

DIMENSIONS



ORDERING LOGIC

| PRODUCT | WATTAGE | COLOR TEMPERATURE | CONTROL | VOLTAGE | BEAM ANGLE | FINISH | ACCESSORIES | CUSTOM | |
|---------|---------|-------------------|---------|-------------|--------------|----------|-------------|----------------|----|
| NTN-R | 9 - 9W | (CT27) | 2700K | SW - On/Off | AC - 240V ac | 16 - 16° | GR - Grey | HC - Honeycomb | xx |
| | | (CT30) | 3000K | AN - 1-10V | | 25 - 25° | | | |
| | | (CT40) | 4000K | DA - Dali | | 35 - 35° | | | |
| | | (CT50) | 5000K | TR - Triac | | | | | |
| | | (CT60) | 6000K | | | | | | |

Sample: NTN-R - 9 - CT27 - SW - AC - 16 - GR - HC - XX