

MYSTIC SERIES

MTC

Mono IP66 WATER PROOF CE IK04

YYZ Mystic series is a type of miniature fixture made in cast aluminum which is ideal for façade and landscape applications, where size of the fixture installed plays a critical role. These luminaires are designed to offer functional, a wide range of lighting solutions and dramatic highlighting of the architectural facades, landscapes, trees through the superior finishing as well highest efficiency with a long service life. This product provide uniform, soft enhancing special lighting effect that blends into the space being lit, to maximizes light beauty.



FEATURES

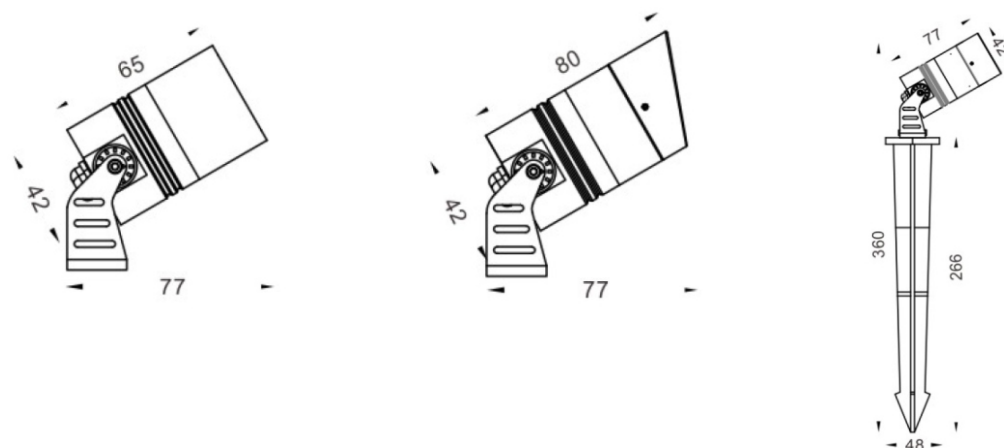
MATERIAL	Aluminum
FINISH	Matt silver / Black anodized
RATED POWER	3-4W
WORKING VOLTAGE	220V ac
LED QUANTITY	1
BEAM ANGLE	15°/24°/36°/60°
MOUNTING	Ground / Spike
CONNECTION	Outdoor rated connections
LAMP LIFE	50,000 hrs
CABLE	0.5 Mtr H05RN-F2x1.0mm ²
DIMENSIONS	Ø42 x 65 mm
OPERATION TEMP	-20° C - +50° C

- CREE LED Quality
- 220V AC Working Voltage
- 3-4W Rated power

ELECTRICAL DATA

POWER CONSUMPTION	3-4W
SUPPLY VOLTAGE	220V ac
COLORS	3000K, 4000K, 5000K, 5700K
CRI	90
CONTROL	Triac, 0-10V, Dali

DRAWING



ORDERING LOGIC

PRODUCT	WATTAGE	OPTIC	COLOR TEMPERATURE	VOLTAGE	MOUNTING	FINISH	ACCESSORIES	CUSTOM
MTC	3-4 - 3-4W	15 - 15° (CT30) 24 - 24° (CT40) 36 - 36° (CT50) 60 - 60° (CT57)	3000K 4000K 5000K 5700K	AC - 220V AC	SP - Spike SM - Surface Mount	SL - Silver BK - Black XX - Custom	CYH - Cylindrical Hood 45° CH - Cylindrical Hood SP - Spike	XX - XXX

Sample: MTC - 3-4 - 15 - CT30 - AC - SP - SL - CYH - XX