

MYSTIC SERIES

MTC

Mono IP66 WATER PROOF **CE** IK04

YYZ Mystic series is a type of miniature fixture made in cast aluminum which is ideal for façade and landscape applications, where size of the fixture installed plays a critical role. These luminaires are designed to offer functional, a wide range of lighting solutions and dramatic highlighting of the architectural facades, landscapes, trees through the superior finishing as well highest efficiency with a long service life. This product provide uniform, soft enhancing special lighting effect that blends into the space being lit, to maximizes light beauty.



FEATURES

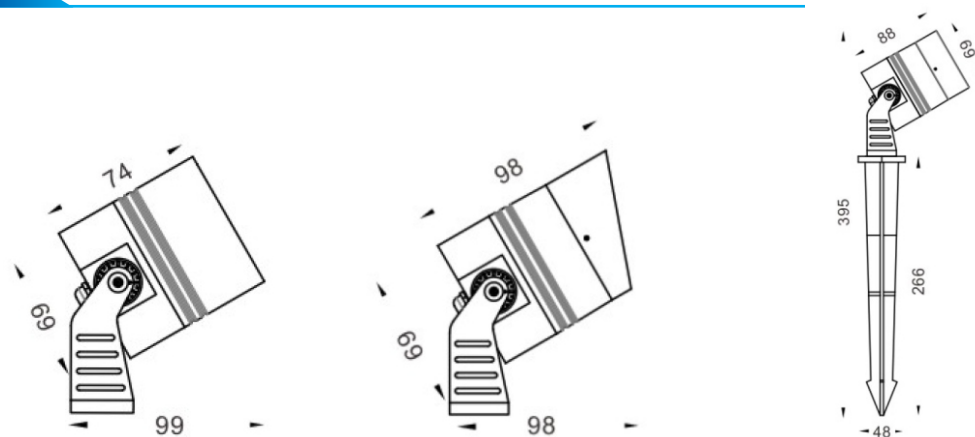
MATERIAL	Aluminum
FINISH	Matt silver / Black anodized
RATED POWER	7W/10W
WORKING VOLTAGE	24V dc
LED QUANTITY	3
BEAM ANGLE	5°/8°/10°/12°/17°/25°/40°/60°
MOUNTING	Ground / Spike
CONNECTION	Outdoor rated connections
LAMP LIFE	50,000 hrs
CABLE	0.5 Mtr H05RN-F2x1.0mm ²
DIMENSIONS	Ø69 x 74 mm
OPERATION TEMP	-20° C - +50° C

- CREE, OSRAM LED Quality
- 24V DC Working Voltage
- 7W/10W Rated power

ELECTRICAL DATA

POWER CONSUMPTION	7W/10W
SUPPLY VOLTAGE	220V ac
COLORS	3000K, 4000K, 5000K/5700K
CRI	90
CONTROL	Triac, 0-10V, Dali

DRAWING



ORDERING LOGIC

PRODUCT	WATTAGE	OPTIC	COLOR TEMPERATURE	VOLTAGE	MOUNTING	FINISH	ACCESSORIES	CUSTOM
MTC	7 - 7W 10 - 10W	5 - 5° 8 - 8° 10 - 10° 12 - 12° 17 - 17° 25 - 25° 40 - 40° 60 - 60°	(CT30) 3000K (CT40) 4000K (CT50) 5000K (CT57) 5700K	DC - 24V DC	SP - Spike SM - Surface Mount	SL - Silver BK - Black XX - Custom	CYH - Cylindrical Hood 45° CH - Cylindrical Hood SP - Spike	XX - XXX

Sample: MTC - 7 - 5 - CT30 - DC - SP - SL - CYH - XX