

MYSTIC SERIES

MTC



YYZ Mystic series is a type of miniature fixture made in cast aluminum which is ideal for façade and landscape applications, where size of the fixture installed plays a critical role. These luminaires are designed to offer functional, a wide range of lighting solutions and dramatic highlighting of the architectural facades, landscapes, trees through the superior finishing as well highest efficiency with a long service life. This product provide uniform, soft enhancing special lighting effect that blends into the space being lit, to maximizes light beauty.



FEATURES

MATERIAL	Aluminum
FINISH	Matt silver / Black anodized
RATED POWER	10/12/15W
WORKING VOLTAGE	220V ac
LED QUANTITY	1
BEAM ANGLE	15°/24°/36°/60°
MOUNTING	Ground / Spike
CONNECTION	Outdoor rated connections
LAMP LIFE	50,000 hrs
CABLE	0.5 Mtr H05RN-F2x1.0mm ²
DIMENSIONS	Ø85 x 90 mm
OPERATION TEMP	-20° C - +50° C

CREE, OSRAM
LED Quality

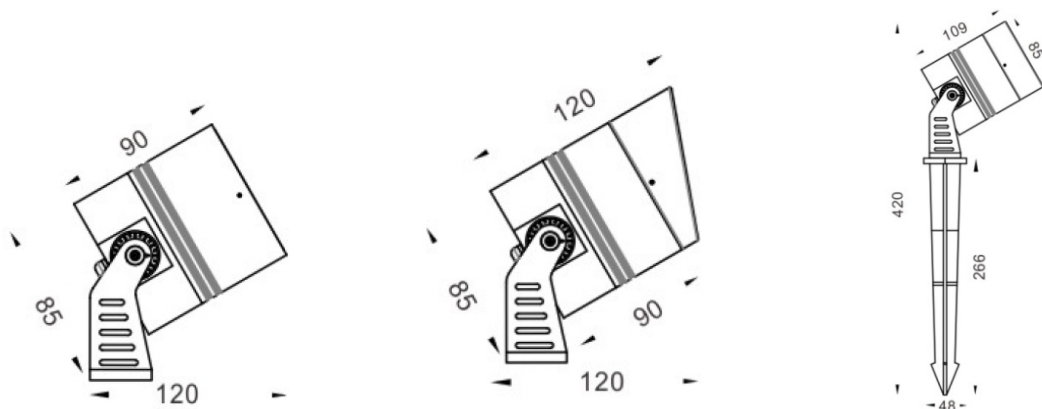
220V AC
Working Voltage

10W, 12W, 15W
Rated power

ELECTRICAL DATA

POWER CONSUMPTION	10/12/15W
SUPPLY VOLTAGE	220V ac
COLORS	3000K, 4000K, 5000K/5700K
CRI	90
CONTROL	Triac, 0-10V, Dali

DRAWING



ORDERING LOGIC

PRODUCT	WATTAGE	OPTIC	COLOR TEMPERATURE	VOLTAGE	MOUNTING	FINISH	ACCESSORIES	CUSTOM
MTC	10 - 10W	15 - 15°	(CT30) 3000K	AC - 220V AC	SP - Spike SM - Surface Mount	SL - Silver BK - Black XX - Custom	CYH - Cylindrical Hood 45° CH - Cylindrical Hood SP - Spike	XX - XXX
	12 - 12W	24 - 24°	(CT40) 4000K					
	15 - 15W	36 - 36°	(CT50) 5000K					
		60 - 60°	(CT57) 5700K					

Sample: MTC - 10 - 15 - CT30 - AC - SP - SL - CYH - XX