

LINEAR WALLWASHER SERIES



LWW Mini Pro

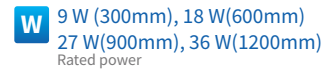
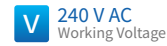


YYZ LWW mini Pro series linear light of new solution for large scale with high brightness architectural illumination. Its streamline design and aluminum profile along with adjustable brackets make it an elegant solution for wall washing and grazing applications. This IP66 rated modular system is available in 300mm, 500mm, or 1000mm lengths and can be customized as per project situations. Its integrated design of heat dissipating structure and degassing valve make it suitable for exterior architectural, retail and hospitality applications.



FEATURES

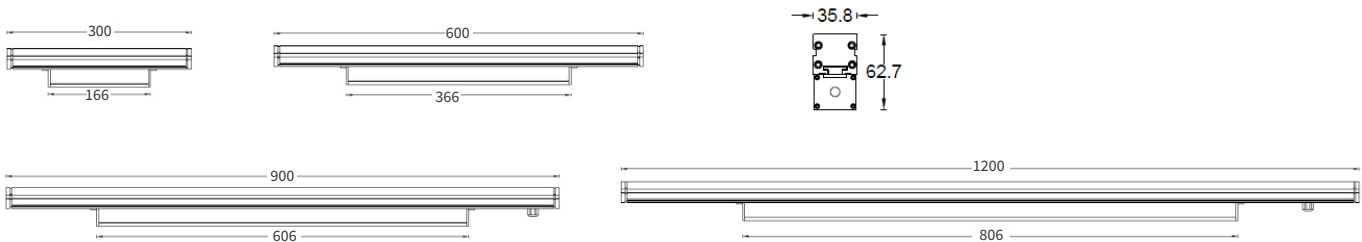
FINISH	6063 High density aluminum
WORKING VOLTAGE	220-240Vac
RATED POWER	9/18/27/36W
BEAM ANGLE	13°, 20°, 25°, 35°, 50°, 10x40°, 15°x60°
AVAILABLE LENGTH	300mm, 600mm, 900mm, 1000mm
MOUNTING	Surface mounting
OPTIC	PMMA
DIMENSIONS	300, 600, 900, 1200(L) x 35.8(B) x 62.7(H)
OPERATION TEMP	-40° C - +50° C
STORAGE TEMP	-40° C - +85° C
LAMP LIFE	50,000 hrs
BODY COLOR	Black, Grey, White
CONTROL	On/Off, Triac, 0-10V, DALI



ELECTRICAL DATA

POWER CONSUMPTION	300mm-9W, 600mm-18W, 900mm-27W, 1200mm-36W
SUPPLY VOLTAGE	220-240 V ac
COLORS	2700K, 3000K, 3500K, 4000K, 5000K, 5700K, 6500K
CRI	90
LUMEN	800 lm/ft @ 3000K

DIMENSION



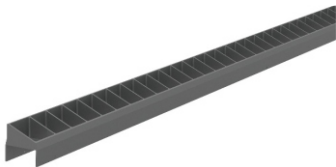
ORDERING LOGIC

PRODUCT	POWER	OPTIC	COLOR TEMPERATURE	CONTROL	VOLTAGE	FIXTURE LENGTH	BODY COLOR	CUSTOM
LWW-Mini Pro	9 - 9W (300mm)	13 - 13°	(CT27)	SW - On/Off	AC - 220-240V AC	30 - 300mm (9W)	BK - BLACK	XX
			2700K			60 - 600mm (18W)		
	18 - 18W (600mm)	20 - 20°	(CT30)	TR - Triac	60 - 600mm (18W)	GR - GRAY		
			3000K					
	27 - 27W (900mm)	25 - 25°	(CT35)	AN - 0-10V	90 - 900mm (27W)	WH - WHITE		
			3500K					
	36 - 36W (1200mm)	35 - 35°	(CT40)	DA - DALI	120 - 1200mm (36W)			
			4000K					
		50 - 50°	(CT50)					
		10x40 - 10° x 40°	(CT57)					
	15x60 - 15° x 60°	(CT65)						

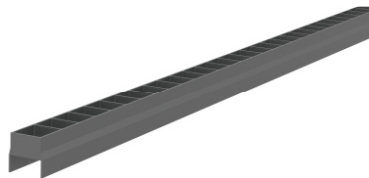
Sample: LWW-Mini Pro - 9 - 13 - CT27 - SW - AC - 30 - BK - XX

LWW Mini Pro

ANTI-GLARE ACCESSORIES

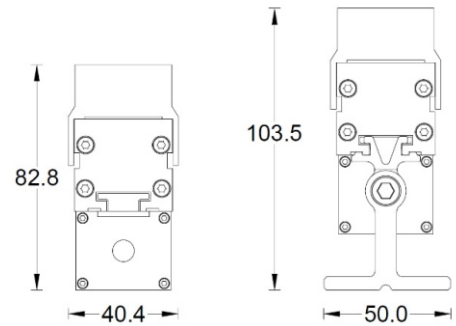
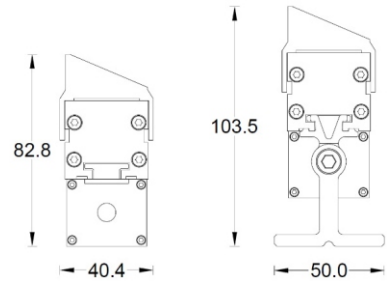


ITEM: YYZGLA-300/600/900/1200
Asymmetric anti-glare louver



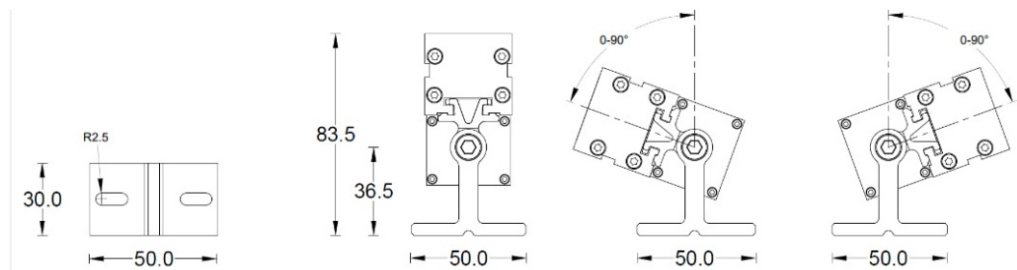
ITEM: YYZGLS-300/600/900/1200
Symmetric anti-glare louver

Height with/without mounting bracket (YYZMBA-H81)



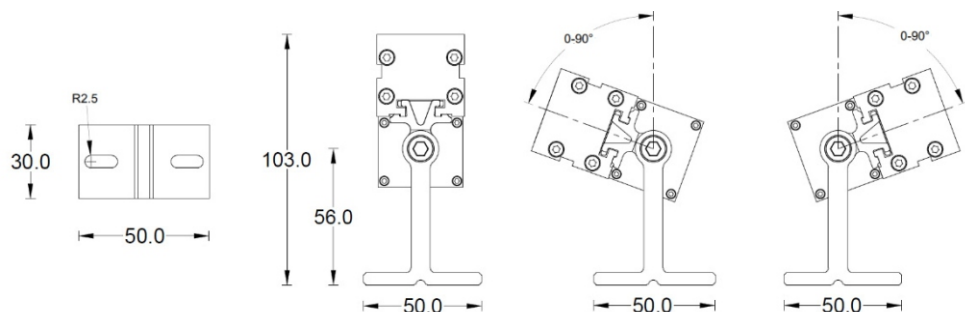
MOUNTING ACCESSORIES

ITEM: DLMBA-H81



Adjustable mounting option for applications that requires angle adjustments. It can rotate up to 180 degree.

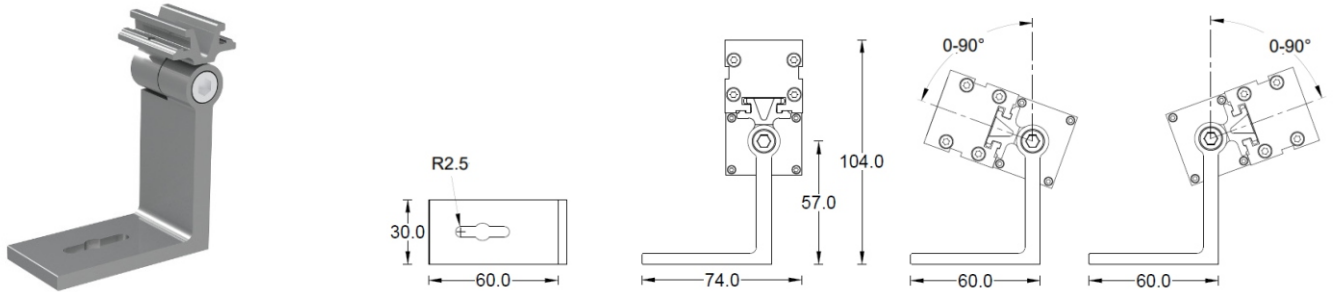
ITEM: DLMBA-H100



Adjustable mounting option for applications that requires angle adjustments. It can rotate up to 180 degree.

LWW Mini Pro

ITEM: YYZMBA-H81



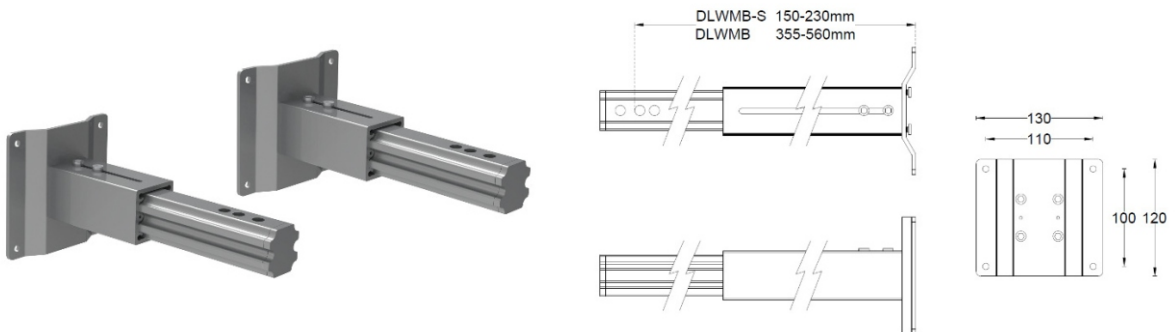
L-shape adjustable mounting option for applications that require angle adjustments. It can rotate up to 180 degree

ITEM: YYZWMB-S

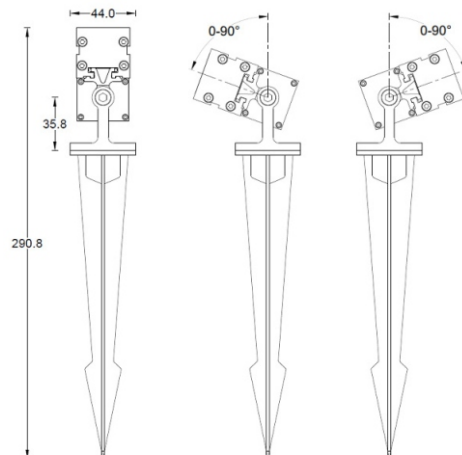
Wall mount option for application that requires wall mounting with length 150mm – 230mm

ITEM: YYZWMB

Wall mount option for application that requires wall mounting with length 355mm – 560mm



ITEM: YYZMBA-STAKE



Adjustable mounting option for landscape lighting application

LWW Mini Pro

CONNECTING ACCESSORIES

Lead-In and Jumper Cables:

Product Image	Part Number	Length (mm)	Application	Cable End		Conductor Size	Region
	YYZACF-300-3pin-EU	300	Power Lead (ON/OFF, TRIAC, DALI 0-10V)	Female	Bar e Wire	3x16 AWG (1.5mm ²)	Europe
	YYZACF-300-3pin-US						USA
	YYZACF-2000-3pin -EU	2000					Europe
	YYZACF-2000-3pin -US						USA
	YYZACF-6000-3pin -EU	6000					Europe
	YYZACF-6000-3pin-US						USA
	YYZACF-15000-3pin-EU	15000					Europe
YYZACF-15000-3pin -US	USA						
	YYZACL-003 -3pin-EU	300	Power Extension (ON/OFF, TRIAC, DALI 0-10V)	Female	Male		Europe
	YYZACL-003 -3pin-US						USA
	YYZACL-006-3pin-EU	600					Europe
	YYZACL-006-3pin-US						USA
	YYZACL-018-3pin-EU	1800					Europe
YYZACL-018-3pin-US	USA						
	YYZDCF(Shield)-300-EU	300	Data Lead (0-10V, DALI)	Female	Bar e Wire	3x22 AWG (0.5mm ²)	Europe
	YYZDCF(Shield)-300-US						USA
	YYZDCF(Shield)-1800-EU	1800					Europe
	YYZDCF(Shield)-1800-US						USA
	YYZDCF(Shield)-6000 -EU	6000					Europe
	YYZDCF(Shield)-6000 -US						USA
	YYZDCF(Shield)-15000 -EU	15000					Europe
YYZDCF(Shield)-15000 -US	USA						
	YYZACF-300-6pin-EU	300	Power and Data Combined Lead (0-10V, DALI)	Female	Bar e Wire	3 x 16AWG (1.5mm ²) + 3 x 22AWG (0.3mm ²)	Europe
	YYZACF-300-6pin-US						USA
	YYZACF-2000-6pin-EU	2000					Europe
	YYZACF-2000-6pin -US						USA
	YYZACF-6000-6pin -EU	6000					Europe
	YYZACF-6000-6pin -US						USA
	YYZACF-15000-6pin-EU	15000					Europe
YYZACF-15000-6pin-US	USA						
	YYZACL-003-6pin -EU	300	Power and Data Combined extension (0-10V, DALI)	Female	Male		Europe
	YYZACL-003-6pin -US						USA
	YYZACL-006-6pin -EU	600					Europe
	YYZACL-006-6pin-US						USA
	YYZACL-018-6pin-EU	1800					Europe
YYZACL-018-6pin-US	USA						

T-Joints:

Product Image	Part Number	Application	Description
	AC-LEADIN-T336	Leading T-Joint (0-10V, DALI)	Combines the AC power (3 pin male end), signal (3 pin male end) into a 6 pin female leading end
	AC-P-INJECT-T636	Power Injector (0-10V, DALI)	T connector 6-pin male to 6-pin female with AC power (3pin male power injector)

LWW Mini Pro

IP Rated End Cap:

Part Number: ENDCAP-AC-3pin

Application: ON/OFF, TRIAC



Part Number: ENDCAP-AC-6pin

Application: 0-10V, DALI

