

LFX NEON SERIES

LFX-O-19.20W-CTXX-2835-Z5-240-24V-CV-1018-90-1-OC-N-W-S-L-N-5M



YYZ LFX Neon series is designed to provide a very bright, crisp consistent and homogenized illumination that will accentuate any building, structure, or artistic flourish. Using high brightness surface mounted LEDs, behind a first class eco-friendly UV-resistant PVC encapsulated flexible chamber material, the LFX Neon will provide your project with bright, consistent traces of light in shades of White, single colors. The fixture consists of uniform and even lighting with no Led hotspot. LFX Neon has a transverse minimum radius of 60mm. Easy to be installed, can be cut and re connected with IP67 protected connector. The product is supplied in 5m standard rolls-or custom as needed. Connectors at both ends offer ease of installation. Operating at 24V, the LFX Neon features on-board constant-current drive topology, which ensures consistent brightness along the entire run, precise drive current, and long life expectancy. Dimming is achieved with YYZ's dimming compatible power supplies.



FEATURES

LIGHT SOURCE	2835 Led
LED QUANTITY	240Leds/m
FINISH	PVC encapsulated flexible chamber material
WORKING VOLTAGE	DC 24V
RATED POWER	19.2W/m
RADIANCE ANGLE	120°
LAMP LIFE	50000 hrs
MOUNTING	Mounting clip / chanel
CONNECTION	Outdoor rated connections
CUTTING INCREMENTS	50mm (1Unit)
DIMENSIONS	10mm(W) x 18mm(H)
OPERATION TEMP	-20° C - +45° C
STORAGE TEMP	-20° C - +60° C
CONTINUOUS LENGTH	5mtr

CREE LED Quality

24 V DC Working Voltage

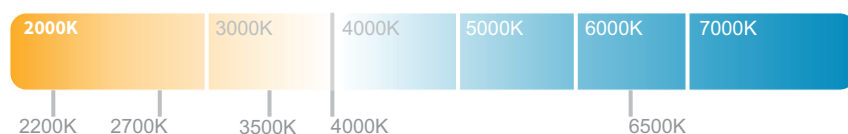
19.2 W / mtr Rated power

ELECTRICAL DATA

POWER CONSUMPTION	19.2W/m
SUPPLY VOLTAGE	DC 24 V
COLORS	2700K, 3000K, 4000K, 6000K,
CRI	90
LUMEN	35lm/W

COLOR TEMPERATURE DATA

White	Lumens/mtr
2700K (CT 27)	590
3000K (CT 30)	620
4000K (CT 40)	650
6000K (CT 60)	680



LFX NEON SERIES

LFX-O-19.20W-CTXX-2835-Z5-240-24V-CV-1018-90-1-OC-N-W-S-L-N-5M

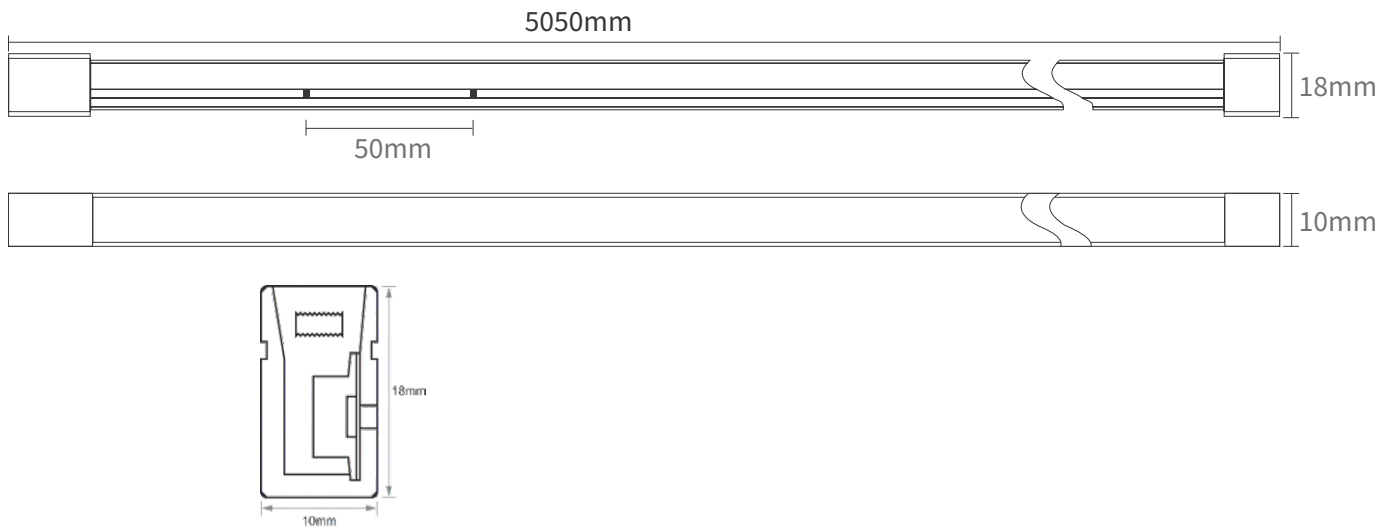
ORDERING LOGIC

PRODUCT SERIES	TYPE	POWER	COLOR TEMPERATURE	LED TYPE	BIN	NO. OF LED	VOLTAGE	CIRCUIT	WIDTH	CRI	NO OF LED ROWS	CONNECTION
LFX	O - Outdoor (IP67)	19.20 - 19.20W	(CT27) 2700K (CT30) 3000K (CT40) 4000K (CT60) 6000K	2835	Z5	240 - 240 LEDs/mtr	24-24V	CV-Constant voltage	1018-10x18mm	90 - 90	1	OC - Outdoor Connector

MODEL	CONTROL	LIGHT EMITTING DIRECTION	LED POWER	PCB	LENGTH PER REEL
N - Neon	W - White	S - Side (Horizontal bendable)	L - Low	N - N	5M - 5mtr

Sample: LFX-O-19.20-CT27-2835-Z5-240-24-CV-1018-90-1-OC-N-W-S-L-N-5M

DIMENSION



BENDING DETAILS

